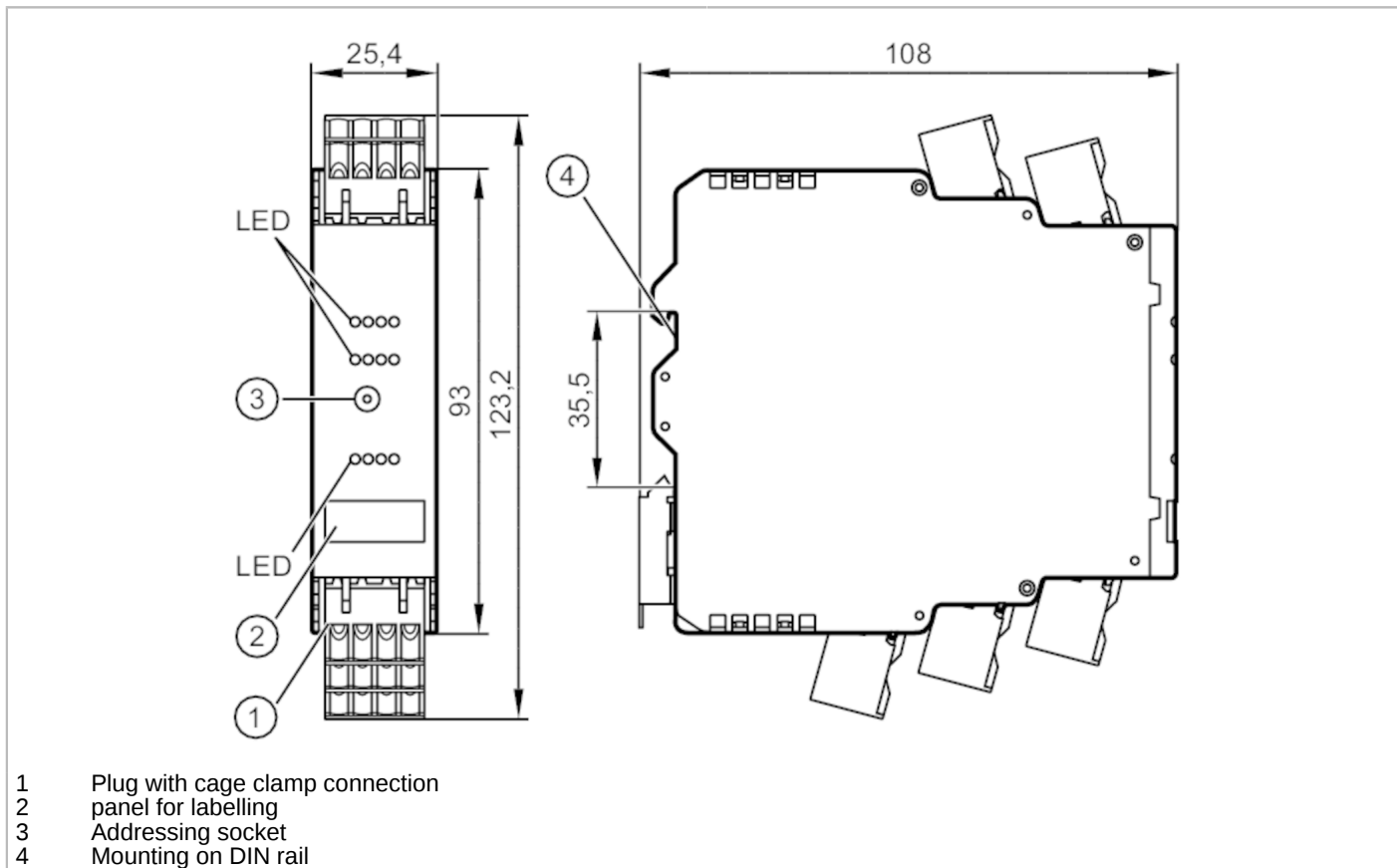


AC3221



AS-Interface control cabinet module

SmartL25 4DI AUX 4DO R C



- 1 Plug with cage clamp connection
- 2 panel for labelling
- 3 Addressing socket
- 4 Mounting on DIN rail



Application	
Design	Only for operation with AS-i masters with the profile M4
Application	I/O modules for control cabinet installations
Electrical data	
Operating voltage [V]	18...31.6 DC
Max. current consumption from AS-i [mA]	30
Additional voltage supply [V]	20...30 DC; (AUX)
Max. current consumption from additional supply [mA]	1100; (AUX)
Integrated watchdog	yes
Inputs / outputs	
Number of inputs and outputs	Number of digital inputs: 4; Number of relay outputs: 4
Inputs	
Number of digital inputs	4
Input circuit of digital inputs	PNP; (type 2 according to IEC 61131-2)
Sensor supply of the inputs	AUX
Voltage supply [V]	18...30; (DC AUX)
Max. total current rating of inputs [mA]	1000
Input current High [mA]	6...10



AS-Interface control cabinet module

SmartL25 4DI AUX 4DO R C

Input current low	[mA]	0...2
Switching level high	[V]	> 11
Digital inputs protected against short circuits		yes

Outputs

Voltage range DC	[V]	24; (AUX; The outputs O1 + O3 and O2 + O4 must be supplied in pairs with the same voltage. 2 x 24 V DC)
Voltage range AC	[V]	10...240; (The outputs O1 + O3 and O2 + O4 must be supplied in pairs with the same voltage. 2 x 240 V AC)
Max. current load per output	[mA]	6000; (resistive load)
Max. current load outputs total	[A]	6; (resistive load)
Number of relay outputs		4
Short-circuit proof		no
Electrically separated		yes

Operating conditions

Ambient temperature	[°C]	-25...65
Note on ambient temperature		the derating of the current load indicated in the operating instructions is to be taken into account at the following ambient temperature: > 55 °C
Storage temperature	[°C]	-25...75
Max. relative air humidity	[%]	90; (non condensing)
Max. height above sea level	[m]	2000
Protection		IP 20
Protection rating terminals		IP 20
Degree of soiling		2

Tests / approvals

EMC	EN 62026-2	
	EN 61000-6-2	
	EN 61000-6-3	
MTTF	[years]	248
Notes		The device shall be supplied from an isolating source.; This voltage source must have a secondary UL-listed fuse (see enclosed sheet).; Alternatively, a class 2 power supply can be used to supply AUX.

AS-i classification

AS-i version		3.0															
AS-i addressing		Addressing socket															
Extended addressing mode		yes															
AS-i master profile		M4															
AS-i profile		S-7.A.7															
AS-i I/O configuration	[hex]	7															
AS-i ID code	[hex]	A.7															
AS-i ID1 code	[hex]	7; (fixed)															
AS-i certificate		124301															
Data bits		<table border="1"> <thead> <tr> <th>Data bit</th> <th>D0</th> <th>D1</th> <th>D2</th> <th>D3</th> </tr> </thead> <tbody> <tr> <td>Input</td> <td>I-1</td> <td>I-2</td> <td>I-3</td> <td>I-4</td> </tr> <tr> <td>Output</td> <td>O-1</td> <td>O-2</td> <td>O-3</td> <td>O-4</td> </tr> </tbody> </table>	Data bit	D0	D1	D2	D3	Input	I-1	I-2	I-3	I-4	Output	O-1	O-2	O-3	O-4
Data bit	D0	D1	D2	D3													
Input	I-1	I-2	I-3	I-4													
Output	O-1	O-2	O-3	O-4													

AC3221



AS-Interface control cabinet module

SmartL25 4DI AUX 4DO R C

Mechanical data		
Weight	[g]	203.35
Type of mounting		Mounting on DIN rail
Material		plastics; PC-GF20
Displays / operating elements		
Display	Switching status	LED, yellow I1...I4, O1...O4
	Power	LED, green AS-i, AUX
	errors	LED, red
Accessories		
Items supplied		cage clamps
Remarks		
Pack quantity		1 pcs.



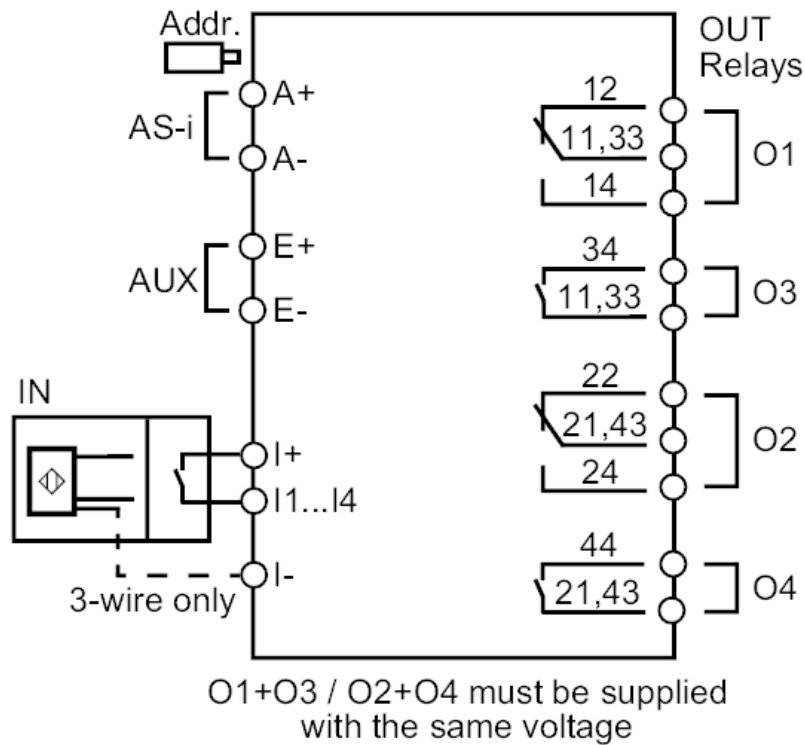
AS-Interface control cabinet module

SmartL25 4DI AUX 4DO R C

Electrical connection

pin headers: 4 x ; Spacing: 5.0 mm

Connection



A+	AS-i +
A-	AS-i -
E+	External voltage supply for sensors + 24 V (AUX)
E-	External voltage supply for sensors + 0 V (AUX)
I+	Sensor supply +24V
I-	Sensor supply 0V
I1...I4	Switching input sensor 1...4
O1...O4	Switching output Relay 1...4
11	Relay O1 changeover contact, common
12	Relay O1 Changeover contact, normally closed
14	Relay O1 Changeover contact, normally open
21	Relay O2 changeover contact, common
22	Relay O2 Changeover contact, normally closed
24	Relay O2 Changeover contact, normally open
33, 34	Relay O3 normally open
43, 44	Relay O4 normally open