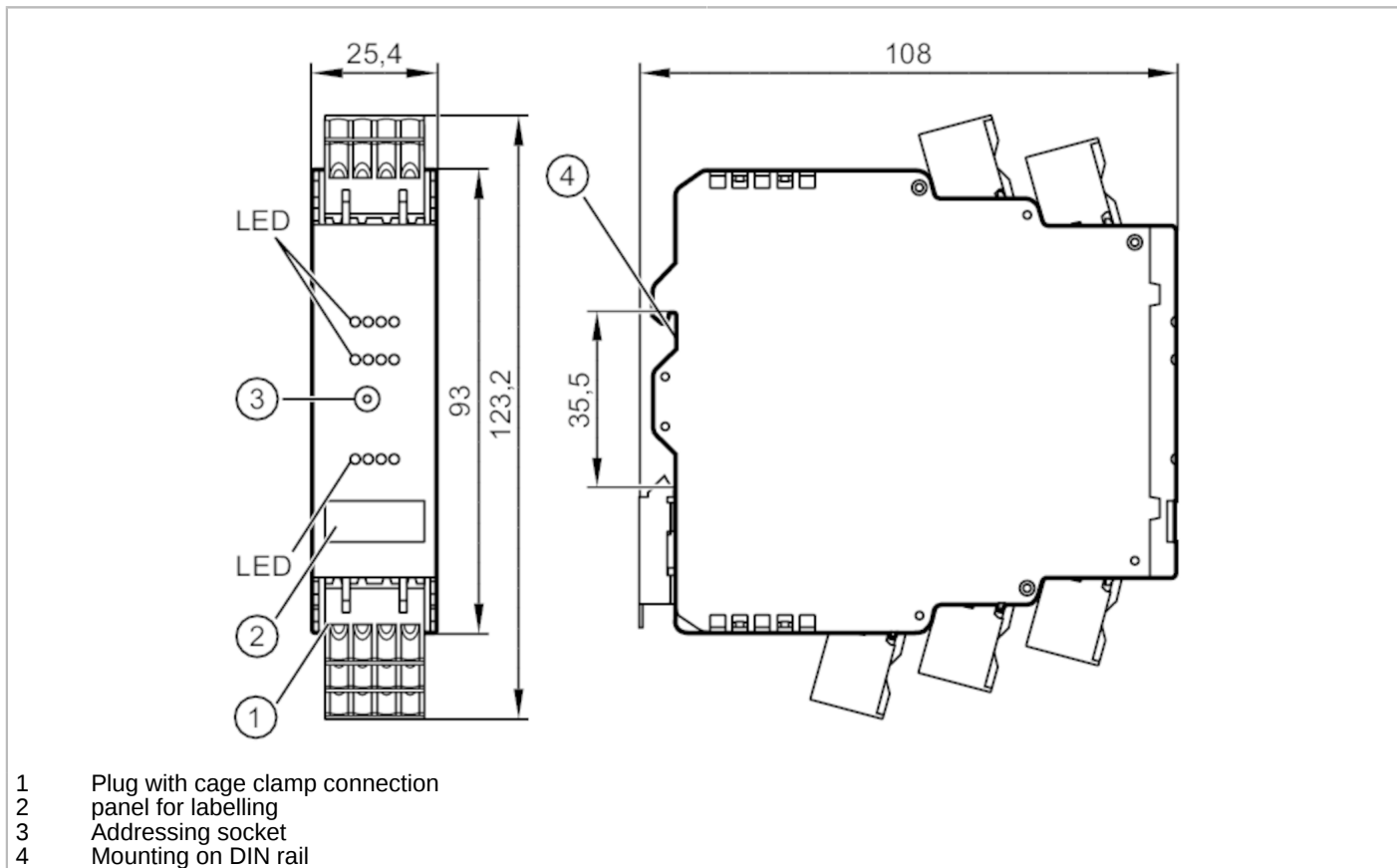


AC3220



AS-Interface control cabinet module

SmartL25 4DI 4DO R C



Application	
Design	Only for operation with AS-i masters with the profile M4
Application	I/O modules for control cabinet installations
Electrical data	
Operating voltage [V]	26.5...31.6 DC
Max. current consumption from AS-i [mA]	300
Integrated watchdog	yes
Inputs / outputs	
Number of inputs and outputs	Number of digital inputs: 4; Number of relay outputs: 4
Inputs	
Number of digital inputs	4
Input circuit of digital inputs	PNP; (type 2 according to IEC 61131-2)
Sensor supply of the inputs	AS-i
Voltage supply [V]	18...30; (DC)
Max. total current rating of inputs [mA]	200
Input current High [mA]	6...10
Input current low [mA]	0...2
Switching level high [V]	> 11



AS-Interface control cabinet module

SmartL25 4DI 4DO R C

Digital inputs protected against short circuits	yes
---	-----

Outputs	
Voltage range DC [V]	24; (The outputs O1 + O3 and O2 + O4 must be supplied in pairs with the same voltage. 2 x 24 V DC)
Voltage range AC [V]	10...240; (The outputs O1 + O3 and O2 + O4 must be supplied in pairs with the same voltage. 2 x 240 V AC)
Max. current load per output [mA]	6000; (resistive load)
Max. current load outputs total [A]	24; (resistive load)
Overall current rating for outputs (UL) [A]	6; (resistive load)
Number of relay outputs	4
Short-circuit proof	no
Electrically separated	yes

Operating conditions	
Ambient temperature [°C]	-25...65
Note on ambient temperature	the derating of the current load indicated in the operating instructions is to be taken into account at the following ambient temperature: > 55 °C
Storage temperature [°C]	-25...75
Max. relative air humidity [%]	90; (non condensing)
Max. height above sea level [m]	2000
Protection	IP 20
Protection rating terminals	IP 20
Degree of soiling	2

Tests / approvals	
EMC	EN 62026-2
	EN 61000-6-2
	EN 61000-6-3
MTTF [years]	295

AS-i classification																
AS-i version	3.0															
AS-i addressing	Addressing socket															
Extended addressing mode	yes															
AS-i master profile	M4															
AS-i profile	S-7.A.7															
AS-i I/O configuration [hex]	7															
AS-i ID code [hex]	A.7															
AS-i ID1 code [hex]	7; (fixed)															
AS-i certificate	124301															
Data bits	<table border="1"> <thead> <tr> <th>Data bit</th> <th>D0</th> <th>D1</th> <th>D2</th> <th>D3</th> </tr> </thead> <tbody> <tr> <td>Input</td> <td>I-1</td> <td>I-2</td> <td>I-3</td> <td>I-4</td> </tr> <tr> <td>Output</td> <td>O-1</td> <td>O-2</td> <td>O-3</td> <td>O-4</td> </tr> </tbody> </table>	Data bit	D0	D1	D2	D3	Input	I-1	I-2	I-3	I-4	Output	O-1	O-2	O-3	O-4
Data bit	D0	D1	D2	D3												
Input	I-1	I-2	I-3	I-4												
Output	O-1	O-2	O-3	O-4												

Mechanical data	
Weight [g]	216.05
Type of mounting	Mounting on DIN rail

AC3220



AS-Interface control cabinet module

SmartL25 4DI 4DO R C

Material	plastics; PC-GF20	
Displays / operating elements		
Display	Switching status	LED, yellow I1...I4, O1...O4
	Power	LED, green AS-i
	errors	LED, red
Accessories		
Items supplied	cage clamps	
Remarks		
Remarks	Do not connect any of the following points to an external potential: I-, I+, I1, I2, I3, I4	
	The connections are electrically connected with the AS-i cable.	
Pack quantity	1 pcs.	



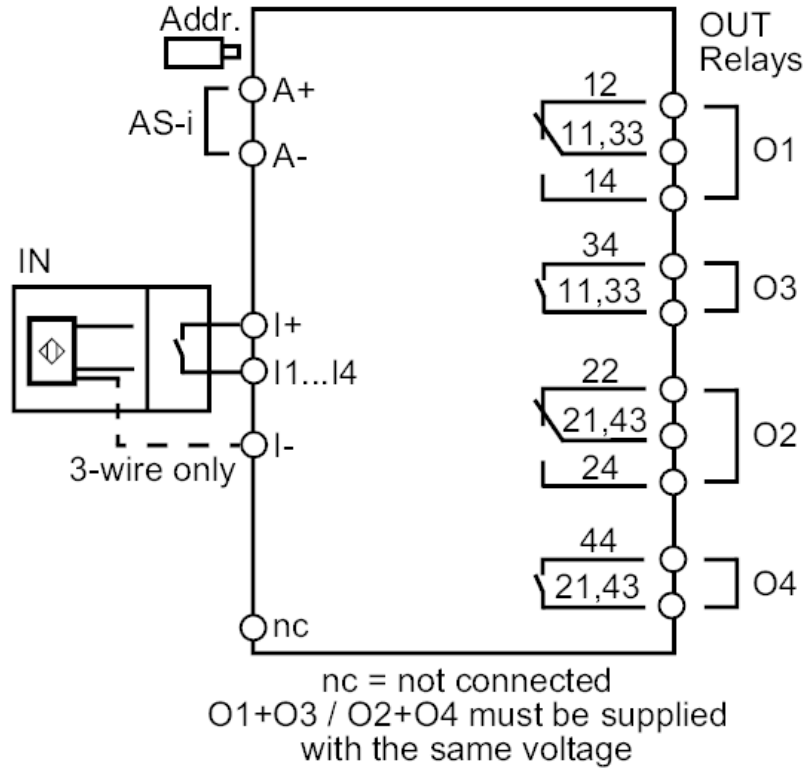
AS-Interface control cabinet module

SmartL25 4DI 4DO R C

Electrical connection

pin headers: 4 x ; Spacing: 5.0 mm

Connection



A+	AS-i +
A-	AS-i -
I+	Sensor supply +24V
I-	Sensor supply 0V
I1...I4	Switching input sensor 1...4
O1...O4	Switching output Relay 1...4
11	Relay O1 changeover contact, common
12	Relay O1 Changeover contact, normally closed
14	Relay O1 Changeover contact, normally open
21	Relay O2 changeover contact, common
22	Relay O2 Changeover contact, normally closed
24	Relay O2 Changeover contact, normally open
33, 34	Relay O3 normally open
43, 44	Relay O4 normally open
nc	not used