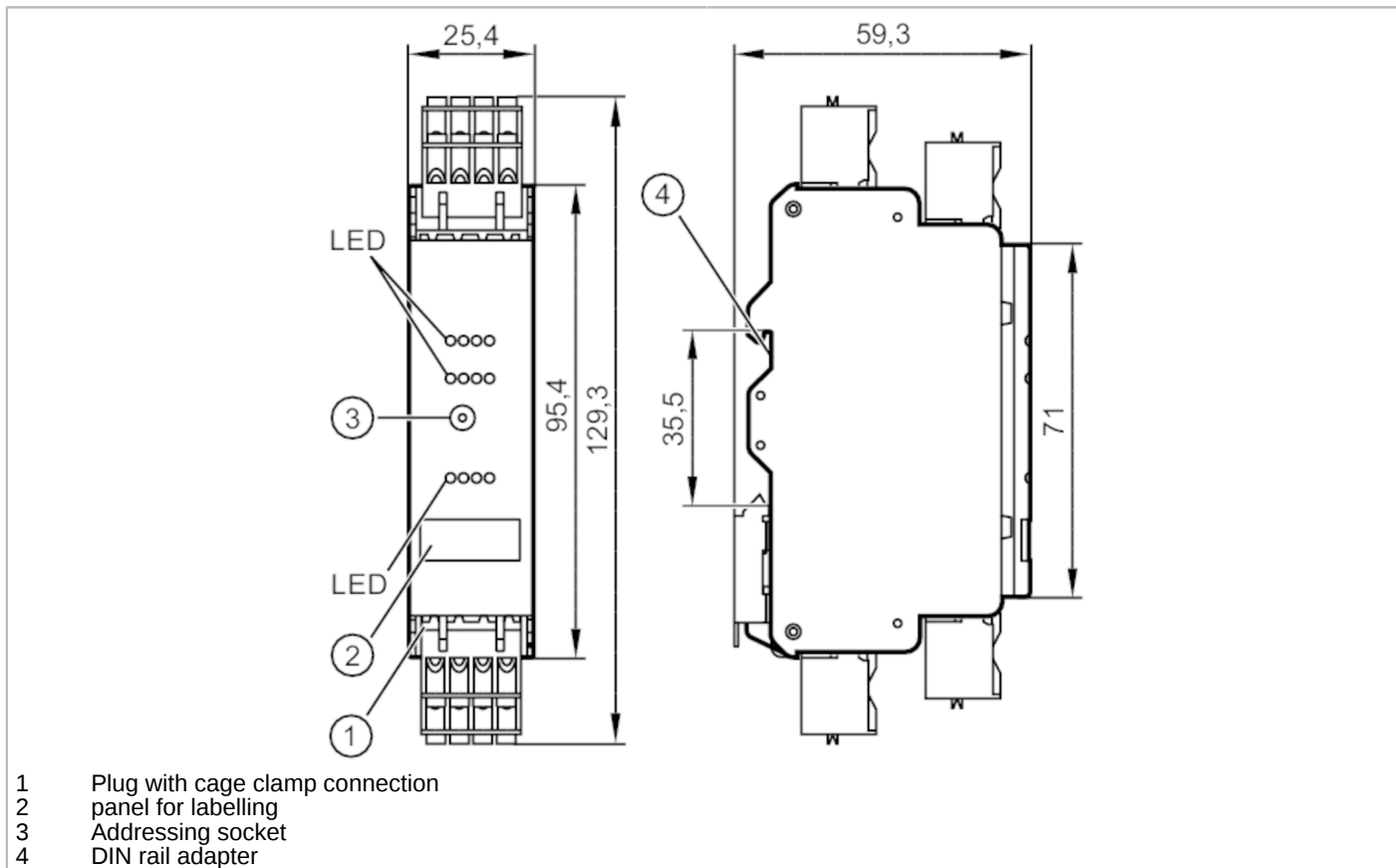


AC3201



AS-Interface control cabinet module

SmartL25 4DI AUX 4DO T C



Application

Design	Only for operation with AS-i masters with the profile M4
Application	I/O modules for control cabinet installations

Electrical data

Operating voltage	[V]	18...31.6 DC
Max. current consumption from AS-i	[mA]	30
Additional voltage supply	[V]	20...30 DC; (AUX)
Max. current consumption from additional supply	[mA]	5100; (AUX)
Integrated watchdog		yes

Inputs / outputs

Number of inputs and outputs	Number of digital inputs: 4; Number of digital outputs: 4
------------------------------	---

Inputs

Number of digital inputs	4	
Input circuit of digital inputs	PNP; (type 2 according to IEC 61131-2)	
Sensor supply of the inputs	AUX	
Voltage supply	[V]	18...30; (DC)
Max. total current rating of inputs	[mA]	1000
Input current High	[mA]	6...10



AS-Interface control cabinet module

SmartL25 4DI AUX 4DO T C

Input current low	[mA]	0...2
Switching level high	[V]	> 11
Digital inputs protected against short circuits		yes

Outputs

Number of digital outputs		4
Circuit		PNP
Voltage range DC	[V]	20...30; (AUX)
Max. current load per output	[mA]	1000; (utilization category DC-12: 700 mA; utilization category DC-13 (control of electromagnets): 20 W (IEC 60947-5-1))
Max. current load outputs total	[A]	4
Short-circuit proof		yes
Electrically separated		yes
Actuator supply outputs		AUX

Operating conditions

Ambient temperature	[°C]	-25...60
Note on ambient temperature		the derating of the current load indicated in the operating instructions is to be taken into account at the following ambient temperature: > 40 °C
Storage temperature	[°C]	-25...75
Max. relative air humidity	[%]	90; (non condensing)
Max. height above sea level	[m]	2000
Protection		IP 20
Protection rating terminals		IP 20
Degree of soiling		2

Tests / approvals

EMC		EN 62026-2
		EN 61000-6-2
		EN 61000-6-3
MTTF	[years]	277
Notes		The device shall be supplied from an isolating source.; This voltage source must have a secondary UL-listed fuse (see enclosed sheet).; Alternatively, a class 2 power supply can be used to supply AUX.

AS-i classification

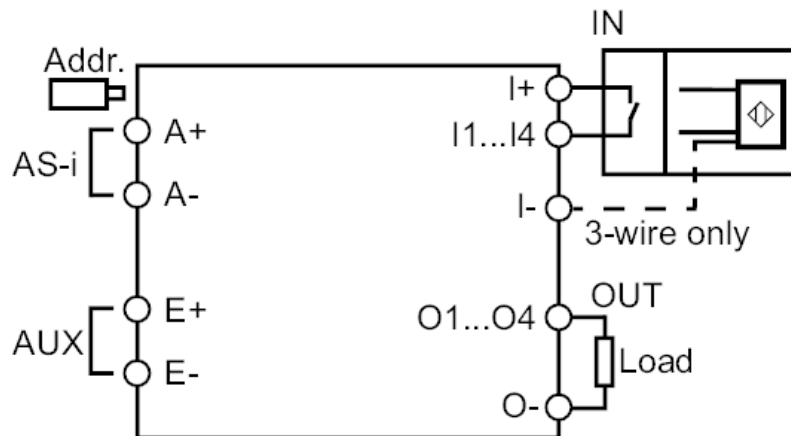
AS-i version		3.0			
AS-i addressing		Addressing socket			
Extended addressing mode		yes			
AS-i master profile		M4			
AS-i profile		S-7.A.7			
AS-i I/O configuration	[hex]	7			
AS-i ID code	[hex]	A.7			
AS-i ID1 code	[hex]	7; (fixed)			
AS-i certificate		124401			
Data bits					
	Data bit	D0	D1	D2	D3
	Input	I-1	I-2	I-3	I-4
	Output	O-1	O-2	O-3	O-4



AS-Interface control cabinet module

SmartL25 4DI AUX 4DO T C

Mechanical data		
Weight	[g]	123.8
Type of mounting		Mounting on DIN rail
Material		plastics; PC-GF20
Displays / operating elements		
Display	Switching status	LED, yellow I1...I4, O1...O4
	Power	LED, green AS-i, AUX
	errors	LED, red
Accessories		
Items supplied		cage clamps
Remarks		
Pack quantity		1 pcs.
Electrical connection		
pin headers: 4 x ; Spacing: 5.0 mm		
Connection		



A+	AS-i +
A-	AS-i -
I+	Sensor supply +24V
I-	Sensor supply 0V
E+	external sensor supply for sensors/actuators +24V (AUX)
E-	external sensor supply for sensors/actuators 0V (AUX)
I1...I4	Switching input sensor 1...4
O1...O4	Switching output actuator 1...4
O-	Switching output actuator 0V