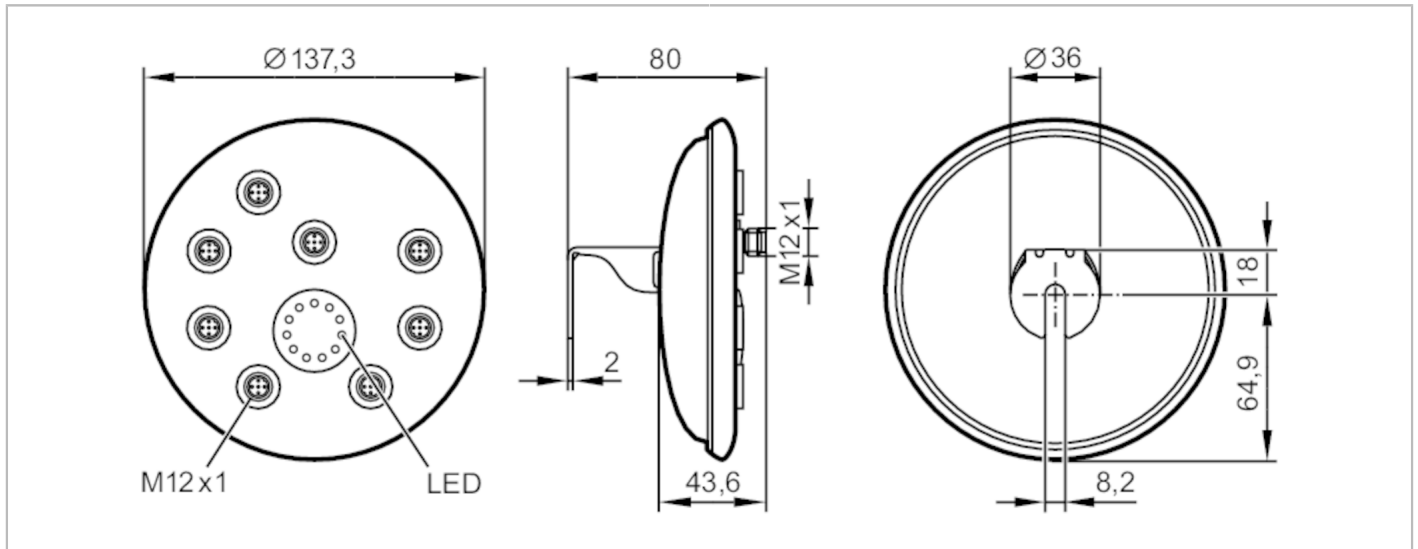


# AC2904



## AS-Interface ProcessLine module

ProcessLine 4DI 3DOT IP69K



Application	
Application	sanitary and wet areas in the food industry
Electrical data	
Operating voltage [V]	26.5...31.6 DC
Max. current consumption from AS-i [mA]	240
Additional voltage supply [V]	20...30 DC; (AUX)
Max. current consumption from additional supply [mA]	2100; (AUX)
Integrated watchdog	yes
Inputs / outputs	
Number of inputs and outputs	Number of digital inputs: 4; Number of digital outputs: 3
Inputs	
Number of digital inputs	4
Input circuit of digital inputs	PNP; (type 2 according to IEC 61131-2)
Sensor supply of the inputs	AS-i
Voltage supply [V]	18...30
Max. total current rating of inputs [mA]	200
Input current High [mA]	6...10
Input current low [mA]	0...2
Switching level high [V]	> 11
Digital inputs protected against short circuits	yes
Outputs	
Number of digital outputs	3
Circuit	PNP
Voltage range DC [V]	20...30; (AUX)
Max. current load per output [mA]	700; (utilization category DC-13 (control of electromagnets): 20 W (IEC 60947-5-1))

# AC2904



## AS-Interface ProcessLine module

ProcessLine 4DI 3DOT IP69K

Max. current load outputs total	[A]	2.1
Short-circuit proof		yes
Electrically separated		yes

### Operating conditions

Ambient temperature	[°C]	-5...70
Protection		IP 68; IP 69K

### Tests / approvals

EMC		EN 62026-2
		EN 61000-6-2
MTTF	[years]	160

### AS-i classification

AS-i version		2.1			
Extended addressing mode		yes			
AS-i master profile		M2; M3; M4			
AS-i profile		S-7.A.E			
AS-i I/O configuration	[hex]	7			
AS-i ID code	[hex]	A.E			
AS-i certificate		101107			
Data bits	Data bit	D0	D1	D2	D3
	Input	1	2	3	4
	Socket	I-1/2	I-1/2 I-2	I-3/4	I-3/4 I-4
	Pin	4	2 4	4	2 4
	Output	1	2	3	-
	Socket	O-1	O-2	O-3	-
	Pin	4	4	4	-

### Mechanical data

Weight	[g]	632
Dimensions	[mm]	Ø 137.3 / L = 80
Material		threaded bush: stainless steel (1.4404 / 316L); LED-Fenster: PC; O-ring: EPDM; Protective cap: PP

### Displays / operating elements

Display	Power	LED, green
	errors	LED, red
	Function	LED, yellow

### Electrical connection

Module connection		M12
-------------------	--	-----

### Accessories

Accessories (optional)		Torque wrench:, E70390
		Protective cap: M12, E70297
		Flat cable splitter box:, E70354

# AC2904



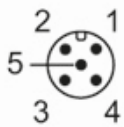
## AS-Interface ProcessLine module

ProcessLine 4DI 3DOT IP69K

Remarks	
Remarks	<p>Inputs and outputs must be electrically isolated.</p> <p>Do not connect any of the following points to an external potential:</p> <p>I-, I+, I-1/2, I-2, I-3/4, I-4</p> <p>The connections are electrically connected with the AS-i cable.</p> <p>The round cable connected to AS-i/AUX should not be longer than 2m.</p>
Pack quantity	1 pcs.

### Electrical connection - AS-i

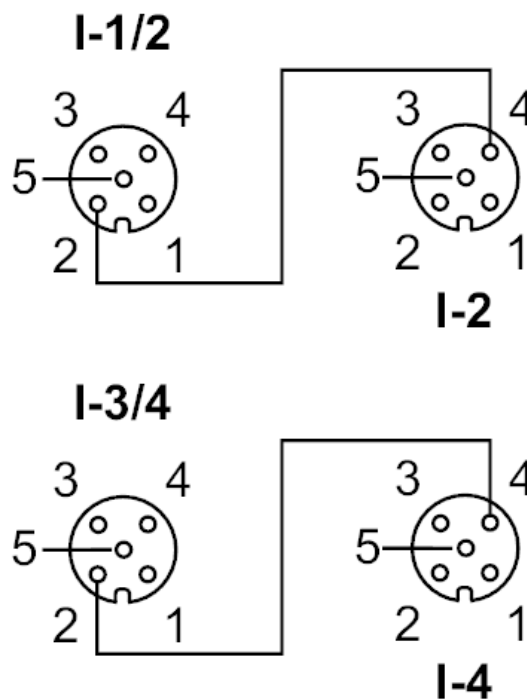
Connector: M12; coding: A; Tightening torque: 1.2...1.4 Nm



1	AS-i+
2	0 V AUX -
3	AS-i -
4	+24 V AUX +
5	functional earth FE

### Electrical connection - Inputs

#### Connection



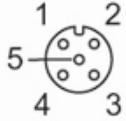
# AC2904



## AS-Interface ProcessLine module

ProcessLine 4DI 3DOT IP69K

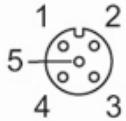
Connector: M12; coding: A; Tightening torque: 1.2...1.4 Nm



1	Sensor supply L+
3	Sensor supply L-
5	functional earth

### Electrical connection - Outputs

Connector: M12; coding: A; Tightening torque: 1.2...1.4 Nm



3	External voltage AUX -
4	Switching output
5	functional earth FE