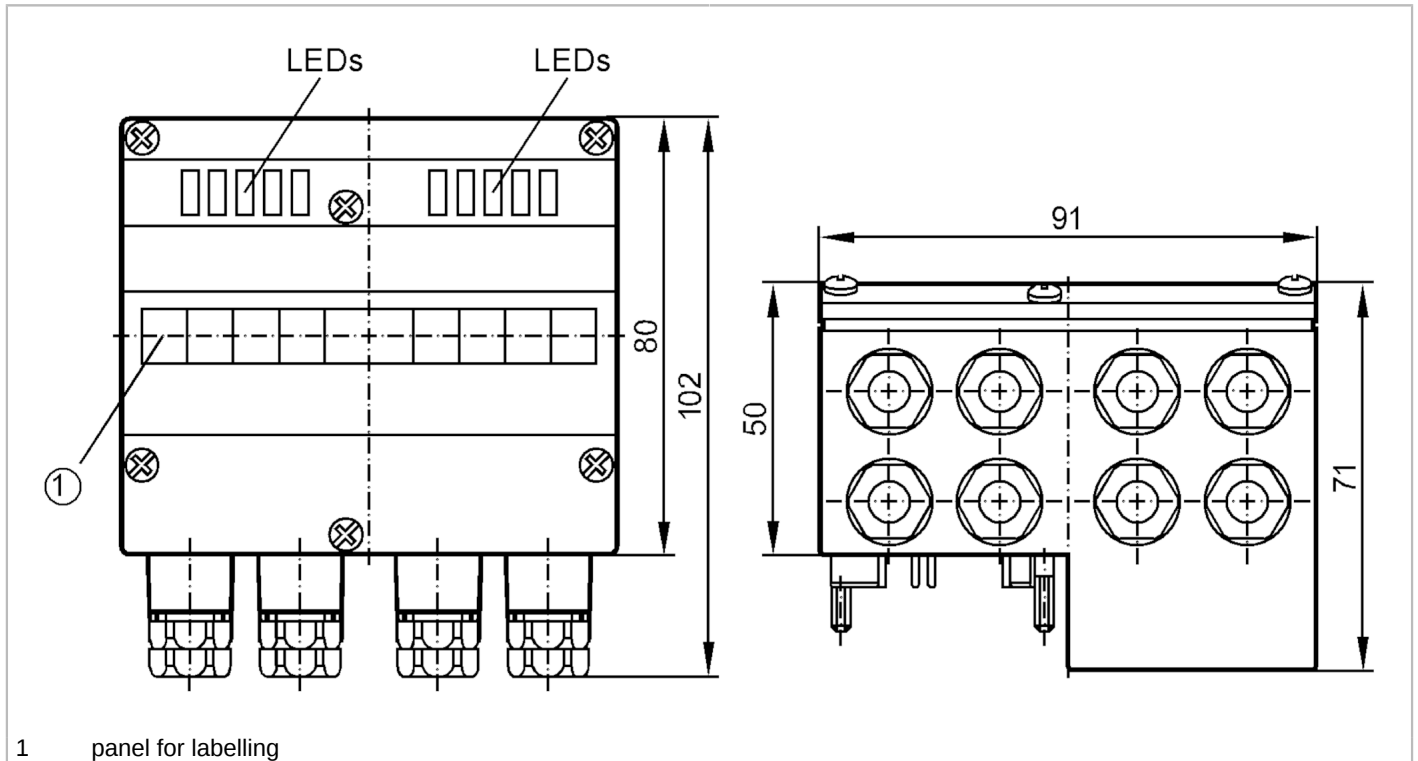


# AC2620



## AS-Interface universal module

UniversalModule 4AI(Pt100)IP65



1 panel for labelling



### Product characteristics

Number of inputs and outputs	Number of Pt100 inputs: 4
Measuring range [°C]	-200...850

### Application

Application	field installation
-------------	--------------------

### Electrical data

Operating voltage [V]	26.5...31.6 DC
Max. current consumption from AS-i [mA]	80
Reverse polarity protection	yes

### Inputs / outputs

Number of inputs and outputs	Number of Pt100 inputs: 4
------------------------------	---------------------------

### Inputs

Number of Pt100 inputs	4
Sensor supply of the inputs	AS-i
Voltage supply [V]	18...30; (DC)
Max. total current rating of inputs [mA]	20
Number of analog inputs	connection of 2- and 3-wire sensors
Resolution of analog input	16 bit / 0.1 °C

### Outputs

Resolution of analog output	16 bit / 0.1 °C
-----------------------------	-----------------

# AC2620



## AS-Interface universal module

UniversalModule 4AI(Pt100)IP65

Measuring/setting range		
Measuring range	[°C]	-200...850
Operating conditions		
Ambient temperature	[°C]	0...70
Storage temperature	[°C]	-25...85
Max. relative air humidity	[%]	90; (non condensing)
Max. height above sea level	[m]	2000
Protection		IP 65
Tests / approvals		
EMC	EN 50295	
MTTF	[years]	150
AS-i classification		
AS-i master profile		M3; M4
AS-i profile		S-7.3.E
AS-i I/O configuration	[hex]	7
AS-i ID code	[hex]	3.E
Mechanical data		
Weight	[g]	299
Type of mounting		AS-i interface to FC lower parts
Material		PBT
Displays / operating elements		
Display	analog signal	LED, yellow Channels AI1...AI4
	Power	LED, green AS-i
	errors	LED, red
Electrical connection		
Module connection		Flat cable
Remarks		
Pack quantity		1 pcs.
Electrical connection		
cage clamps:		

# AC2620

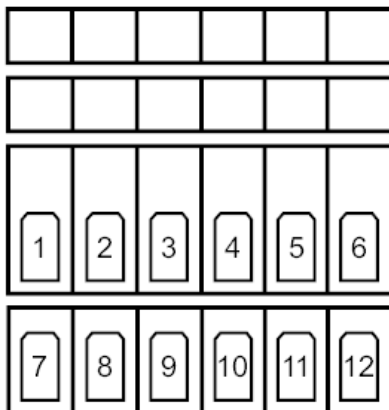


## AS-Interface universal module

UniversalModule 4AI(Pt100)IP65

contact pins to module lower part, FK / PG:

### Connection



1	channel 1+
2	S1-
3	channel 1-
4	channel 2+
5	S2
6	channel 2-
7	channel 3+
8	S3-
9	channel 3-
10	channel 4+
11	S4-
12	channel 4-