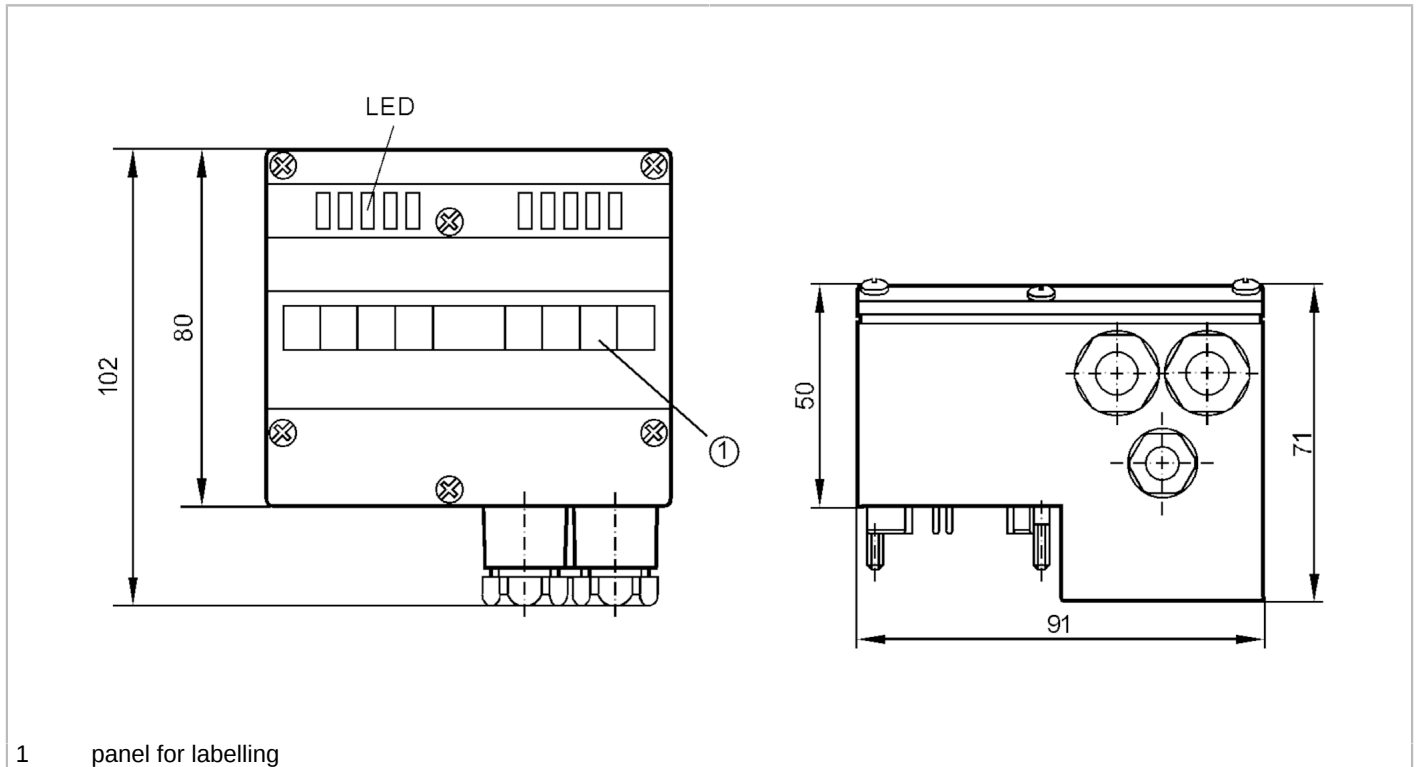


# AC2619



## AS-Interface universal module

UniversalModule 2AO(V) IP65



1 panel for labelling



Application	
Application	field installation
Electrical data	
Operating voltage [V]	26.5...31.6 DC
Max. current consumption from AS-i [mA]	140
Reverse polarity protection	yes
Additional voltage supply [V]	24...30 DC; (AUX)
Additional voltage supply	optional
Max. current consumption from additional supply [mA]	550; (AUX)
Inputs / outputs	
Number of inputs and outputs	Number of analog outputs: 2
Inputs	
Precision analog input [%]	0,5
Outputs	
Number of analog outputs	2; (connection of 2-wire or 4-wire actuator)
Analog voltage output [V]	0...10
Min. load resistance [ $\Omega$ ]	3300
Overload protection	yes
Resolution of analog output	16 (1 bit = 1 mV)
Actuator supply outputs	AS-i / AUX

# AC2619



## AS-Interface universal module

UniversalModule 2AO(V) IP65

Operating conditions		
Ambient temperature	[°C]	0...70
Storage temperature	[°C]	-25...85
Max. relative air humidity	[%]	90; (non condensing)
Max. height above sea level	[m]	2000
Protection		IP 65

Tests / approvals		
EMC	EN 50295	
MTTF	[years]	145

AS-i classification		
AS-i master profile		M3; M4
AS-i profile		S-7.3.5
AS-i I/O configuration	[hex]	7
AS-i ID code	[hex]	3.5

Mechanical data		
Weight	[g]	296.5
Type of mounting		AS-i interface to FC-E lower parts
Material		PBT

Displays / operating elements		
Display	analog signal	LED, yellow Channels AO1...AO2
	Power	LED, green AS-i, AUX
	errors	LED, red

Electrical connection		
Module connection		Flat cable

Remarks		
Pack quantity		1 pcs.

Electrical connection		
cage clamps:		

# AC2619

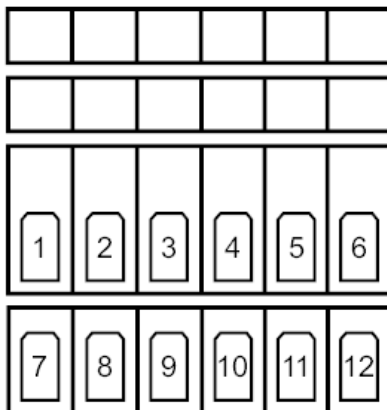


## AS-Interface universal module

UniversalModule 2AO(V) IP65

contact pins to module lower part, FK / FK-E / PG:

### Connection



1	O+ Actuator supply 2 +24V
2	V2 analog output V
3	O- Actuator supply 2 0V
4	COM 2 analog output 2 0V
5	Shield
6	Shield
7	O+ Actuator supply 1 +24V
8	V1 analog output V
9	O- Actuator supply 10V
10	COM 1 analog output 1 0V
11	FE functional earth
12	FE functional earth