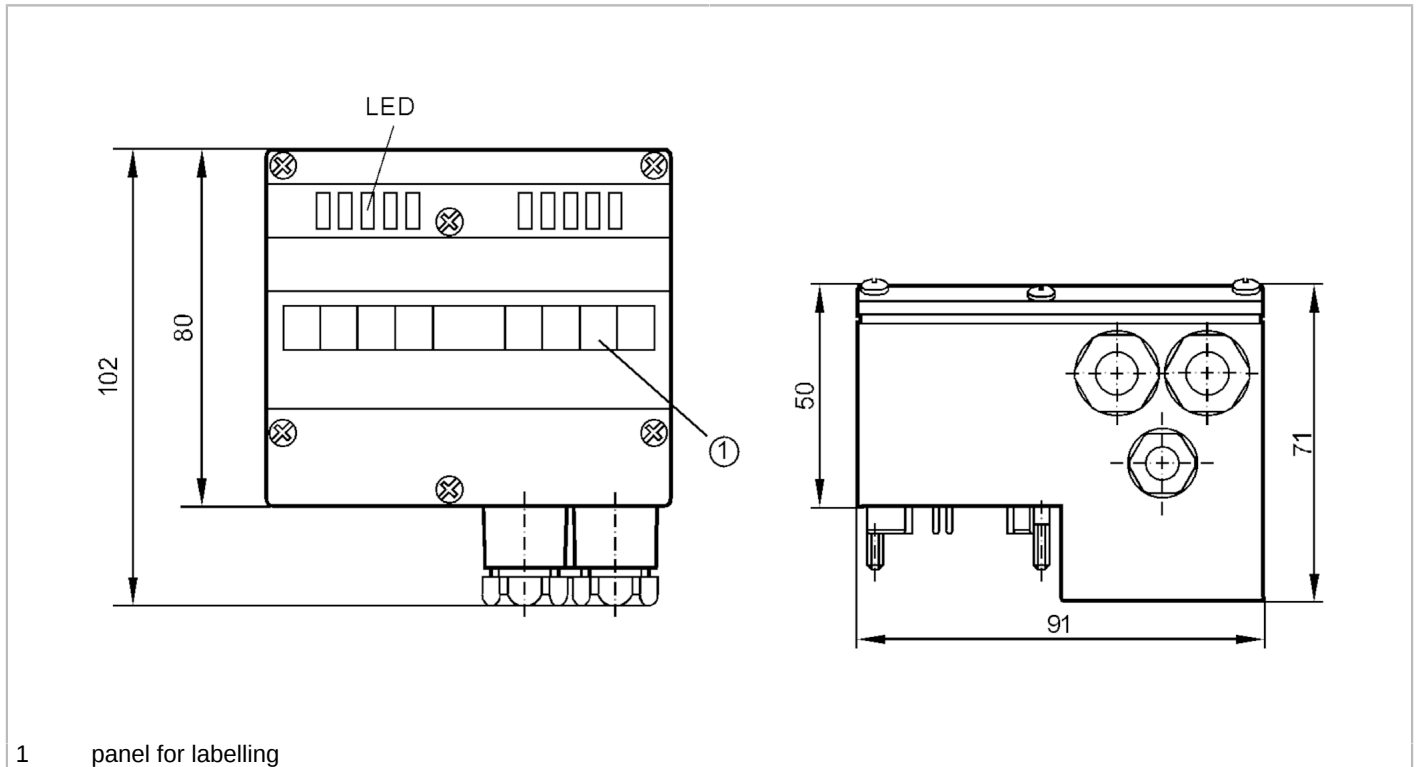


# AC2617



## AS-Interface universal module

UniversalModule 2AI(V) IP65



1 panel for labelling



Application	
Application	field installation
Electrical data	
Operating voltage [V]	26.5...31.6 DC
Max. current consumption from AS-i [mA]	140
Reverse polarity protection	yes
Additional voltage supply [V]	24...30 DC; (AUX)
Additional voltage supply	optional
Max. current consumption from additional supply [mA]	550; (AUX)
Inputs / outputs	
Number of inputs and outputs	Number of analog inputs: 2
Inputs	
Sensor supply of the inputs	AS-i / AUX
Max. total current rating of inputs [mA]	100
Number of analog inputs	2; (Anschluss von 2-, 3-, 4-Draht-Sensoren)
Analog input (voltage) [V]	0...10
Analog inputs protected against short circuits	no
Resolution of analog input	16 (1 bit = 1 mV)
Precision analog input [%]	0,5

# AC2617



## AS-Interface universal module

UniversalModule 2AI(V) IP65

Operating conditions	
Ambient temperature [°C]	0...70
Storage temperature [°C]	-25...85
Max. relative air humidity [%]	90; (non condensing)
Max. height above sea level [m]	2000
Protection	IP 65

Tests / approvals	
EMC	EN 50295
MTTF [years]	140

AS-i classification	
AS-i master profile	M3; M4
AS-i profile	S-7.3.D
AS-i I/O configuration [hex]	7
AS-i ID code [hex]	3.D

Parameter bit	Description	Parameter bit				
P0	filter in the A/D converter	: 1	50 Hz	* / 0	60 Hz	
P1	channel	2: 1	projected	/ 0	not projected	
P2	peripheral fault	: 1	activated	/ 0	disabled	
P3	not used	: 1	reserved	/ 0	not reserved	

Mechanical data	
Weight [g]	289.5
Type of mounting	AS-i interface to FC-E lower parts
Material	PBT

Displays / operating elements		
Display	analog signal	LED, yellow Channels AI1...AI2
	Power	LED, green AS-i, AUX
	errors	LED, red

Electrical connection	
Module connection	Flat cable

Remarks	
Pack quantity	1 pcs.

Electrical connection	
cage clamps:	

# AC2617

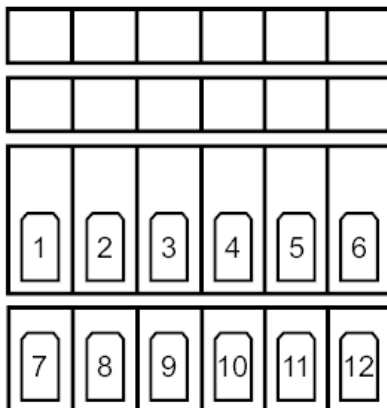


## AS-Interface universal module

UniversalModule 2AI(V) IP65

contact pins to module lower part, FK / FK-E / PG:

### Connection



1	I+ Sensor supply 2 +24V
2	V2 analog input V
3	I- Sensor supply 2 0V
4	COM 2 analog input 2 0V
5	Shield
6	Shield
7	I+ Sensor supply 1 +24V
8	V1 analog input V
9	I- Sensor supply 1 0V
10	COM 1 analog input 1 0V
11	FE functional earth
12	FE functional earth