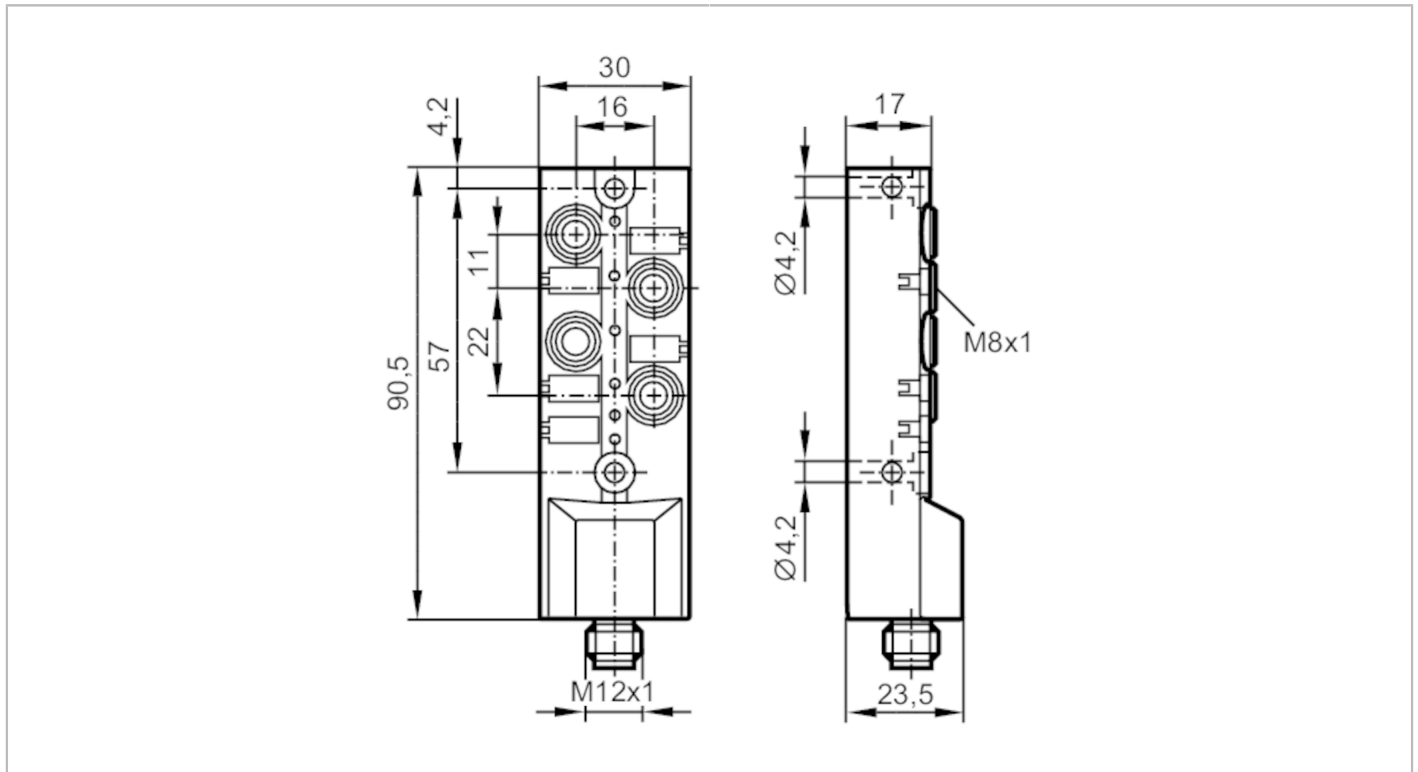


AC2482



AS-Interface CompactLine module

CompactM8 2DI 2DO



Application	
Application	field installation
Electrical data	
Operating voltage [V]	26.5...31.6 DC
Max. current consumption from AS-i [mA]	230
Integrated watchdog	yes
Inputs / outputs	
Number of inputs and outputs	Number of digital inputs: 2; Number of digital outputs: 2
Inputs	
Number of digital inputs	2
Input circuit of digital inputs	PNP; (type 2 according to IEC 61131-2)
Sensor supply of the inputs	AS-i
Voltage supply [V]	18...30; (DC)
Max. total current rating of inputs [mA]	180; (current load for all inputs and outputs: 180 mA)
Switching level high [V]	> 11
Digital inputs protected against short circuits	yes
Outputs	
Number of digital outputs	2
Voltage range DC [V]	18...30
Max. current load per output [mA]	180; (current load for all inputs and outputs: 180 mA)

AC2482



AS-Interface CompactLine module

CompactM8 2DI 2DO

Short-circuit proof	yes
Electrically separated	no
Actuator supply outputs	AS-i

Operating conditions

Ambient temperature	[°C]	-25...60
Storage temperature	[°C]	-25...60
Max. relative air humidity	[%]	90; (non condensing)
Max. height above sea level	[m]	2000
Protection		IP 65; IP 67; IP 68

Tests / approvals

EMC	EN 62026-2	
	EN 50581	
MTTF	[years]	261
UL approval	voltage supply	Class 2

AS-i classification

AS-i version	2.11; 3.0
Extended addressing mode	yes
AS-i master profile	M2; M3; M4
AS-i profile	S-B.A.E
AS-i I/O configuration	[hex] B
AS-i ID code	[hex] A.E
AS-i certificate	100901

Data bit	D0	D1	D2	D3
Input	-	-	3	4
Socket	-	-	I-3	I-4
Pin	-	-	4	4
Output	1	2	-	-
Socket	O-1	O-2	-	-
Pin	4	4	-	-

Parameter bit	Description				
P0	not used				
P1	peripheral fault indication	: 1	activated	/ 0	disabled
P2	not used				
P3	not used				

Mechanical data

Weight	[g]	111
Type of mounting		Backplane mounting
Dimensions	[mm]	90.5 x 30 x 23.5
Material		PBT

Displays / operating elements

Display	Switching status	LED, yellow I1...I2, O1...O2
	Power	LED, green AS-i
	errors	LED, red

AC2482



AS-Interface CompactLine module

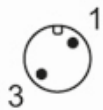
CompactM8 2DI 2DO

Electrical connection	
Module connection	M12
Accessories	
Items supplied	label tag Protective caps: 2
Accessories (optional)	Protective cap: M8, E73005 Flat cable insulation displacement connector: 1 m, round cable, E70582 Flat cable insulation displacement connector: M12, E70096 DIN rail adapter:, E73006
Remarks	
Remarks	Do not connect any of the following points to an external potential: I-, I+, I1, I2 The connections are electrically connected with the AS-i cable.
Pack quantity	1 pcs.

Electrical connection

Electrical connection - AS-i

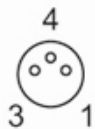
Connector: 1 x M12; coding: A



- 1 AS-i +
- 3 AS-i -

Electrical connection - Inputs

Connector: 2 x M8; coding: A



- 1 Inputs
- 3 Sensor supply L+
- 3 Sensor supply L-
- 4 Data input

AC2482



AS-Interface CompactLine module

CompactM8 2DI 2DO

Electrical connection - Outputs

Connector: 2 x M8; coding: A



	Outputs
1	not used
3	Internal voltage E-
4	Switching output +