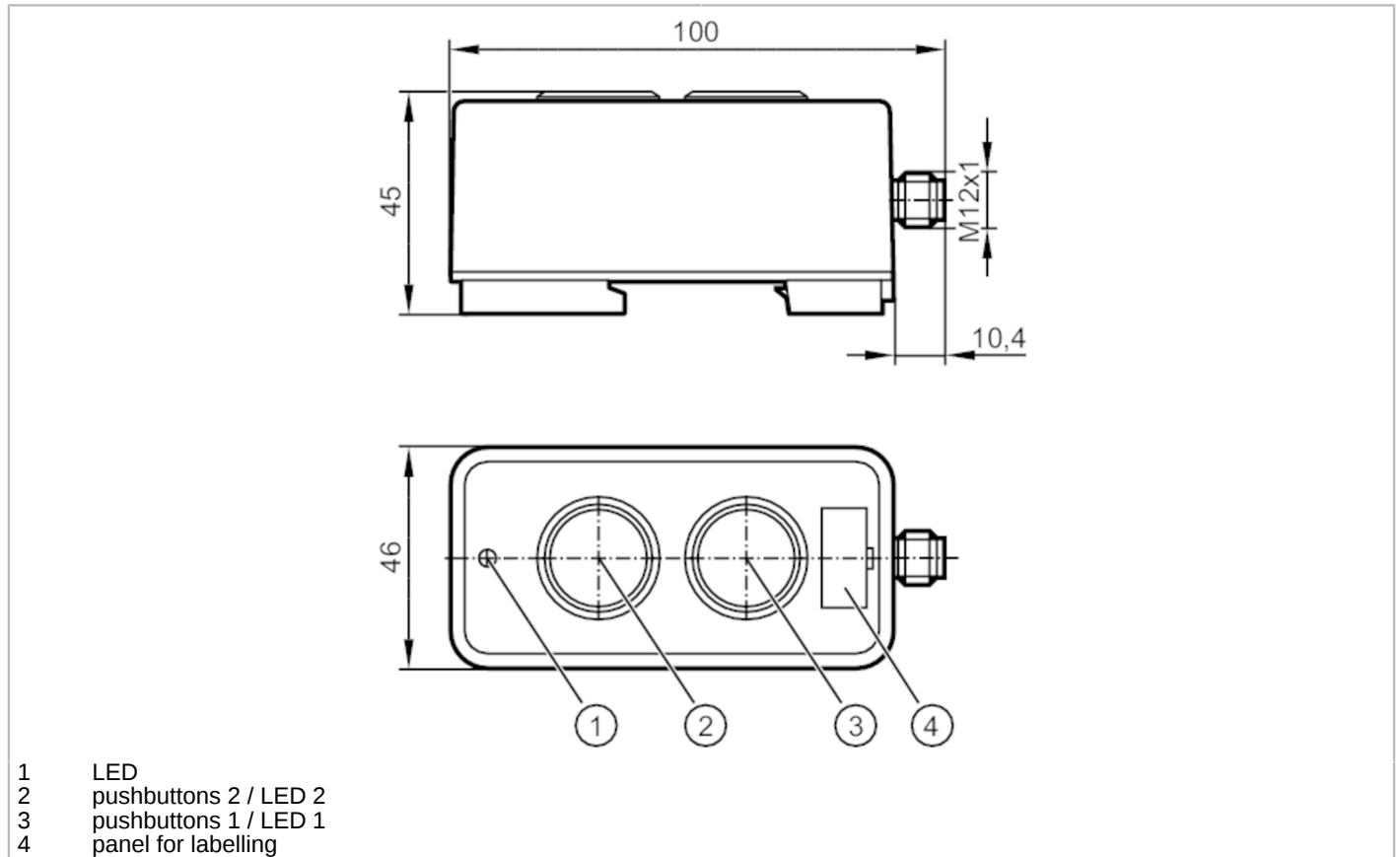


AC2398



AS-Interface illuminated pushbutton module

AS-i Module 2BI 2LO RD/GR



Application	
Application	field installation
Electrical data	
Operating voltage [V]	26.5...31.6 DC
Max. current consumption from AS-i [mA]	55
Inputs	
Sensor supply of the inputs	AS-i
Operating conditions	
Ambient temperature [°C]	-25...60
Storage temperature [°C]	-40...85
Protection	IP 67
Tests / approvals	
EMC	EN 61000-6-2
	EN 62026-2
AS-i classification	
AS-i version	2.11; 3.0
Extended addressing mode	yes
AS-i master profile	M2; M3; M4
AS-i profile	S-B.A.E

AC2398



AS-Interface illuminated pushbutton module

AS-i Module 2BI 2LO RD/GR

AS-i I/O configuration	[hex]	B				
AS-i ID code	[hex]	A.E				
AS-i certificate		134701				
Data bits		Data bit	D0	D1	D2	D3
		LED	1	2	-	-
		pushbuttons	-	-	1	2

Mechanical data	
Weight	[g] 131.6
Type of mounting	Mounting on DIN rail
Dimensions	[mm] 89.6 x 46 x 45
Material	PA

Displays / operating elements		
Display	Power	LED, green
	errors	LED, red
Operating elements	2	freely programmable backlit function keys

Electrical connection	
Module connection	M12

Remarks	
Remarks	The pushbuttons (EAO type 84) provide protection against accidental contact. Housing and pushbuttons can be labeled.
Pack quantity	1 pcs.

Electrical connection



1	AS-i +
3	AS-i -