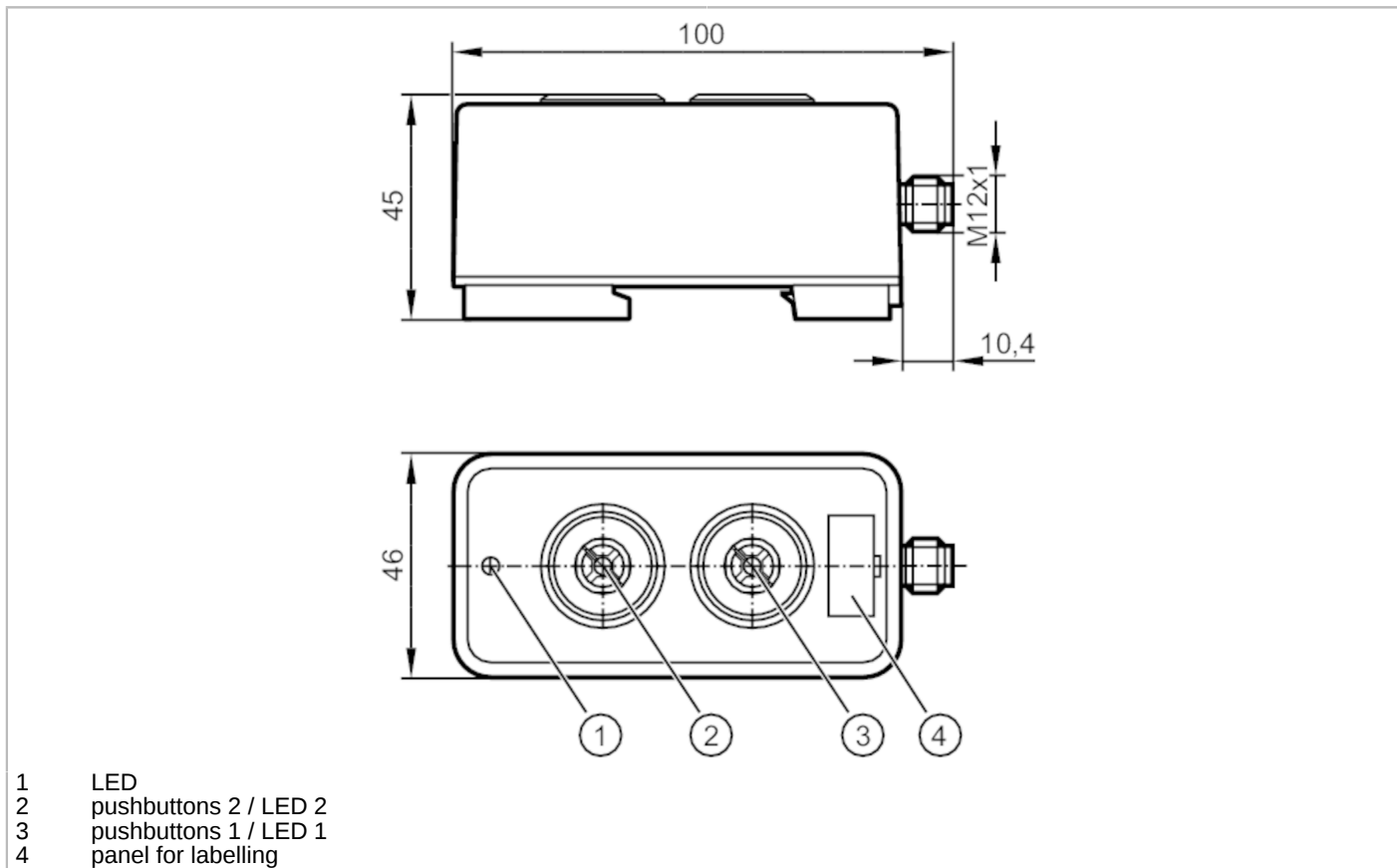


# AC2396



## AS-Interface illuminated pushbutton module

AS-i Module 2BI 2LO WT/WT



Application	
Design	Color inserts changeable
Application	field installation
Electrical data	
Operating voltage [V]	26.5...31.6 DC
Max. current consumption from AS-i [mA]	55
Inputs	
Sensor supply of the inputs	AS-i
Operating conditions	
Ambient temperature [°C]	-25...60
Storage temperature [°C]	-40...85
Protection	IP 67
Tests / approvals	
EMC	EN 61000-6-2 EN 62026-2
AS-i classification	
AS-i version	2.11; 3.0
Extended addressing mode	yes
AS-i master profile	M2; M3; M4

# AC2396



## AS-Interface illuminated pushbutton module

AS-i Module 2BI 2LO WT/WT

AS-i profile	S-B.A.E				
AS-i I/O configuration [hex]	B				
AS-i ID code [hex]	A.E				
AS-i certificate	134701				
Data bits	Data bit	D0	D1	D2	D3
	LED	1	2	-	-
	pushbuttons	-	-	1	2

### Mechanical data

Weight [g]	137.6				
Type of mounting	Mounting on DIN rail				
Dimensions [mm]	89.6 x 46 x 45				
Material	PA				

### Displays / operating elements

Display	Power	LED, green
	errors	LED, red
Operating elements	2	freely programmable backlit function keys

### Electrical connection

Module connection	M12
-------------------	-----

### Accessories

Items supplied	cover support: 2
	color inserts: 2, red
	2, green
	2, yellow
	2, blue
	2, white
	Mounting adapter: 1

### Remarks

Remarks	The pushbuttons (EAO type 84) provide protection against accidental contact. Housing and pushbuttons can be labeled.
Pack quantity	1 pcs.

### Electrical connection



1	AS-i +
3	AS-i -