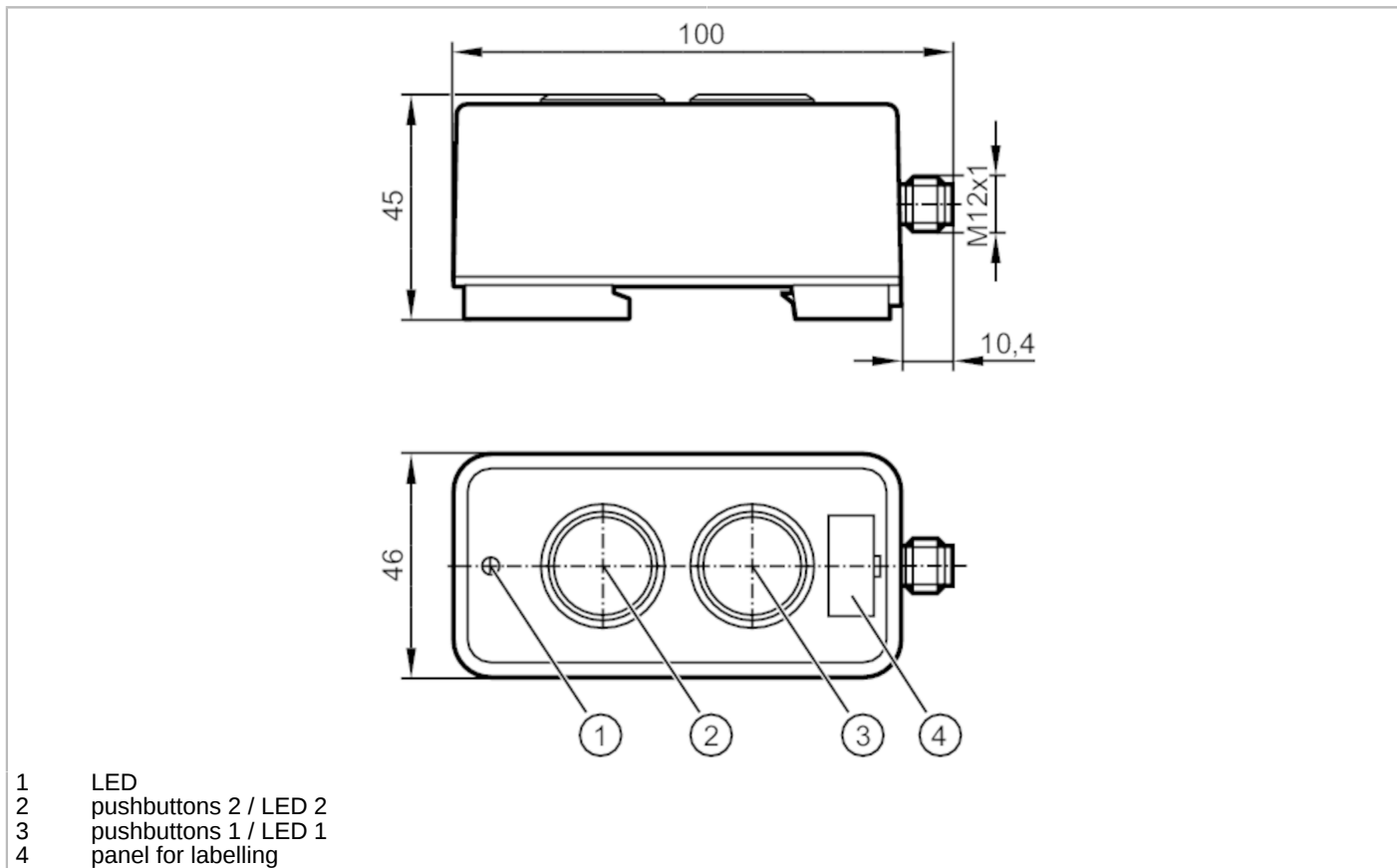


AC2388



AS-Interface illuminated pushbutton module

AS-i Module 2BI 2LO RD/GR



Application	
Application	field installation
Electrical data	
Operating voltage [V]	26.5...31.6 DC
Max. current consumption from AS-i [mA]	55
Inputs	
Sensor supply of the inputs	AS-i
Operating conditions	
Ambient temperature [°C]	-25...60
Storage temperature [°C]	-40...85
Protection	IP 67
Tests / approvals	
EMC	EN 61000-6-2
	EN 62026-2
AS-i classification	
AS-i version	2.11; 3.0
Extended addressing mode	yes
AS-i master profile	M2; M3; M4
AS-i profile	S-7.A.E

AC2388



AS-Interface illuminated pushbutton module

AS-i Module 2BI 2LO RD/GR

AS-i I/O configuration	[hex]	7				
AS-i ID code	[hex]	A.E				
AS-i certificate		133801				
Data bits	Data bit	D0	D1	D2	D3	
	LED 1	DO-0	-	-	-	
	LED 2	-	DO-1	-	-	
	pushbuttons 1	DI-0	-	-	-	
	pushbuttons 2	-	DI-1	-	-	

Mechanical data

Weight	[g]	133				
Type of mounting		Mounting on DIN rail				
Dimensions	[mm]	89.6 x 46 x 45				
Material		PA				

Displays / operating elements

Display	Power	LED, green		
	errors	LED, red		
Operating elements	2	freely programmable backlit function keys		

Electrical connection

Module connection		M12
-------------------	--	-----

Remarks

Pack quantity		1 pcs.
---------------	--	--------

Electrical connection



1	AS-i +
3	AS-i -