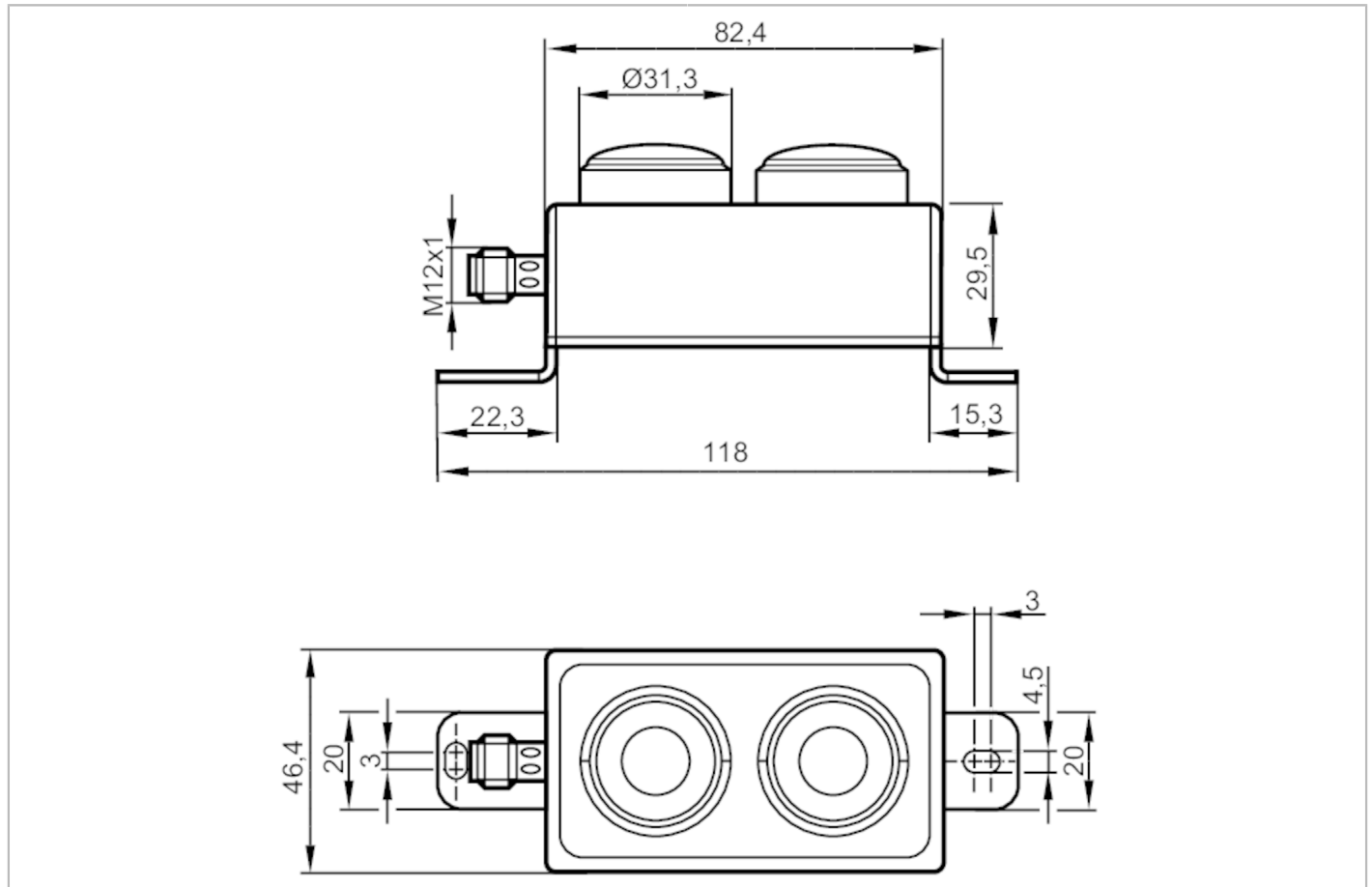


AC2381



AS-Interface illuminated pushbutton module

AS-i Module 2BI 2LO RD/GR IP69K



Application	
Application	field installation; sanitary and wet areas in the food industry
Electrical data	
Operating voltage [V]	26.5...31.6 DC
Max. current consumption from AS-i [mA]	80
Inputs	
Sensor supply of the inputs	AS-i
Outputs	
Electrical design	AS-i
Operating conditions	
Ambient temperature [°C]	-25...70
Storage temperature [°C]	-40...80
Protection	IP 67; IP 68; IP 69K
Tests / approvals	
EMC	EN 61000-6-2
	EN 62026-2
AS-i classification	
AS-i version	2.11; 3.0

AC2381



AS-Interface illuminated pushbutton module

AS-i Module 2BI 2LO RD/GR IP69K

Extended addressing mode	yes				
AS-i master profile	M2; M3; M4				
AS-i profile	S-B.A.E				
AS-i I/O configuration [hex]	B				
AS-i ID code [hex]	A.E				
AS-i certificate	135301				
Data bits	Data bit	D0	D1	D2	D3
	LED 1 red	DO-0	-	-	-
	LED 2 green	-	DO-1	-	-
	pushbuttons 1	-	-	DI-2 (NC)	-
	pushbuttons 2	-	-	-	DI-3 (NO)

Mechanical data

Weight [g]	276.55
Type of mounting	screw mounting
Dimensions [mm]	118 x 50 x 47
Material	stainless steel

Displays / operating elements

Display	Power	LED, green
	errors	LED, red
Operating elements	2	freely programmable backlit function keys

Electrical connection

Module connection	M12
-------------------	-----

Remarks

Remarks	The pushbutton modules (RAFI type RAFIX22) offer protection against accidental contact.
Pack quantity	1 pcs.

Electrical connection



1	AS-i +
3	AS-i -