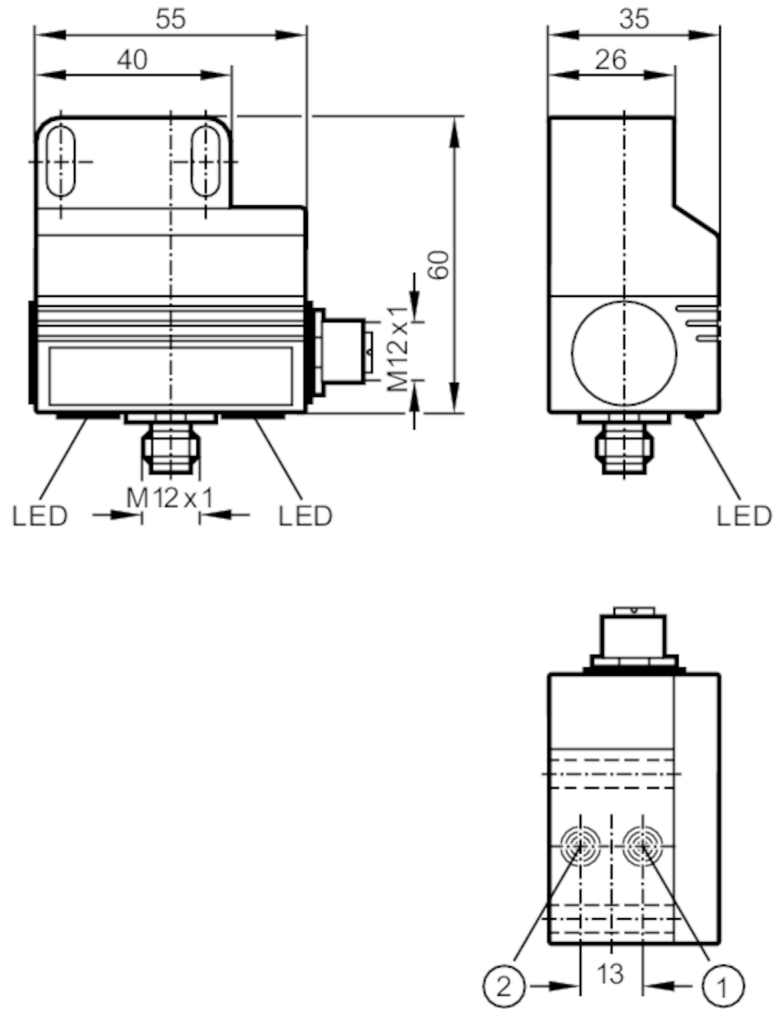


AC2317



AS-Interface dual sensor for pneumatic quarter-turn actuators

DUAL SENSOR T6 2SI 2DO T M12



- 1 sensor 1
- 2 sensor 2



Product characteristics

Electrical design		AS-i
Sensing range	[mm]	4
Dimensions	[mm]	55 x 60 x 35

Electrical data

Operating voltage	[V]	26.5...31.6 DC; (cULus - Class 2 source required)
Max. current consumption from AS-i	[mA]	260
Integrated watchdog		yes

Inputs / outputs

Number of inputs and outputs		Number of digital inputs: 2; Number of digital outputs: 2
------------------------------	--	---

Inputs

Number of digital inputs		2
Sensor supply of the inputs		AS-i

AC2317



AS-Interface dual sensor for pneumatic quarter-turn actuators

DUAL SENSOR T6 2SI 2DO T M12

Voltage supply	[V]	20...30
Digital inputs protected against short circuits		no

Outputs

Electrical design		AS-i
Number of digital outputs		2
Max. current load per output	[mA]	100
Short-circuit proof		yes
Electrically separated		no
Actuator supply outputs		AS-i

Monitoring range

Sensing range	[mm]	4
---------------	------	---

Operating conditions

Ambient temperature	[°C]	-20...70
Protection		IP 67

Tests / approvals

EMC	EN 50295	
	EN 61000-6-2	
MTTF	[years]	310

AS-i classification

AS-i version		2.1
Extended addressing mode		yes
AS-i profile		S-7.A.E
AS-i I/O configuration	[hex]	7
AS-i ID code	[hex]	A.E
AS-i certificate		75001

Mechanical data

Weight	[g]	178.5
Mounting		non-flush mountable
Dimensions	[mm]	55 x 60 x 35
Material		PBT; PC

Displays / operating elements

Display	Power	1 x LED, green
	Function	1 x LED, yellow
	error	1 x LED, red

Accessories

Items supplied	reinforcement bracket socket head screws: 2 x M5 x 35 washers: 2
----------------	--

Remarks

Remarks	The outputs must not be set simultaneously if the total load current exceeds 100 mA.
Pack quantity	1 pcs.

AC2317



AS-Interface dual sensor for pneumatic quarter-turn actuators

DUAL SENSOR T6 2SI 2DO T M12

Electrical connection - Socket

Connector: 1 x M12; coding: A; Moulded body: stainless steel



Ausgänge

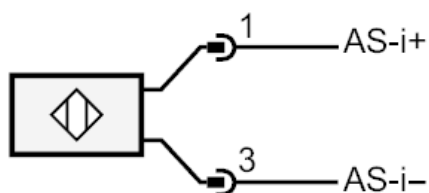
2	Switching output 2 +
3	External voltage -
4	Switching output 1 +

Electrical connection - plug

Connector: 1 x M12; coding: A; Moulded body: stainless steel



Connection



Elektrischer Anschluss

1	AS-i+
3	AS-i -