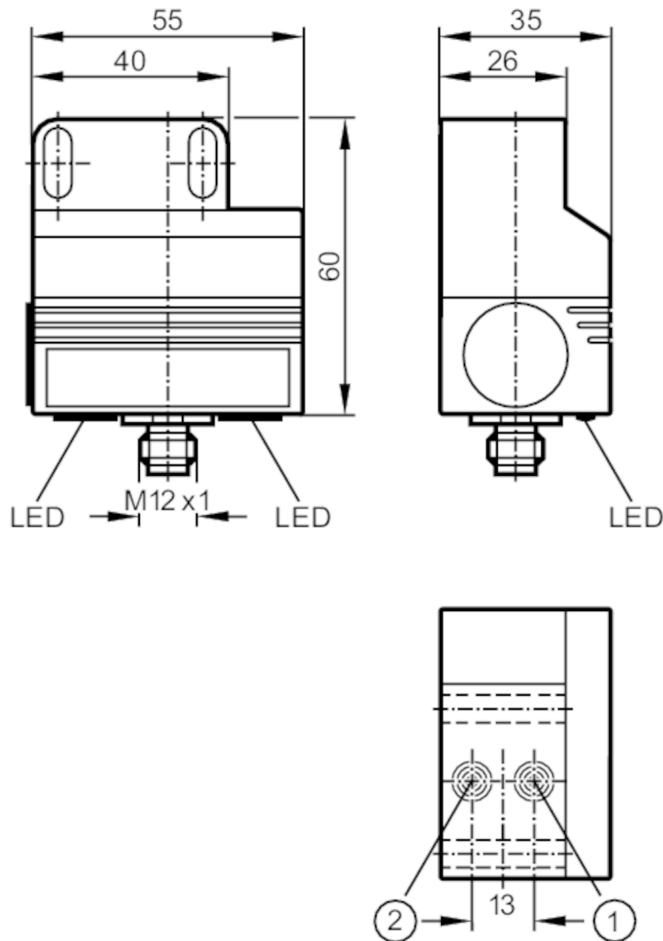


AC2315



AS-Interface dual sensor for pneumatic quarter-turn actuators

DUAL SENSOR T4 2SI M12



- 1 sensor 1
- 2 sensor 2



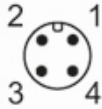
Product characteristics	
Electrical design	AS-i
Sensing range [mm]	4
Dimensions [mm]	55 x 60 x 35
Electrical data	
Operating voltage [V]	26.5...31.6 DC; (cULus - Class 2 source required)
Current consumption [mA]	< 40
Outputs	
Electrical design	AS-i
Monitoring range	
Sensing range [mm]	4
Operating conditions	
Ambient temperature [°C]	-20...70
Protection	IP 67

AC2315



AS-Interface dual sensor for pneumatic quarter-turn actuators

DUAL SENSOR T4 2SI M12

Tests / approvals		
EMC	EN 50295	
	EN 61000-6-2	
MTTF	[years]	924
AS-i classification		
AS-i version		2.1
Extended addressing mode		yes
AS-i I/O configuration	[hex]	0
AS-i ID code	[hex]	A.F
AS-i certificate		74901
Mechanical data		
Weight	[g]	149.5
Mounting		non-flush mountable
Dimensions	[mm]	55 x 60 x 35
Material		PBT
Displays / operating elements		
Display	Switching status	2 x LED, yellow
Accessories		
Items supplied		reinforcement bracket
		socket head screws: 2 x M5 x 35
		washers: 2
Remarks		
Pack quantity		1 pcs.
Electrical connection		
Electrical connection - plug		
Connector: 1 x M12; coding: A; Locking: stainless steel (1.4305 / 303)		
		

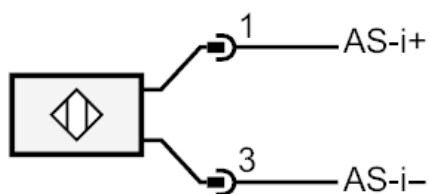
AC2315



AS-Interface dual sensor for pneumatic quarter-turn actuators

DUAL SENSOR T4 2SI M12

Connection



Electrical connection

1	AS-i +
3	AS-i -