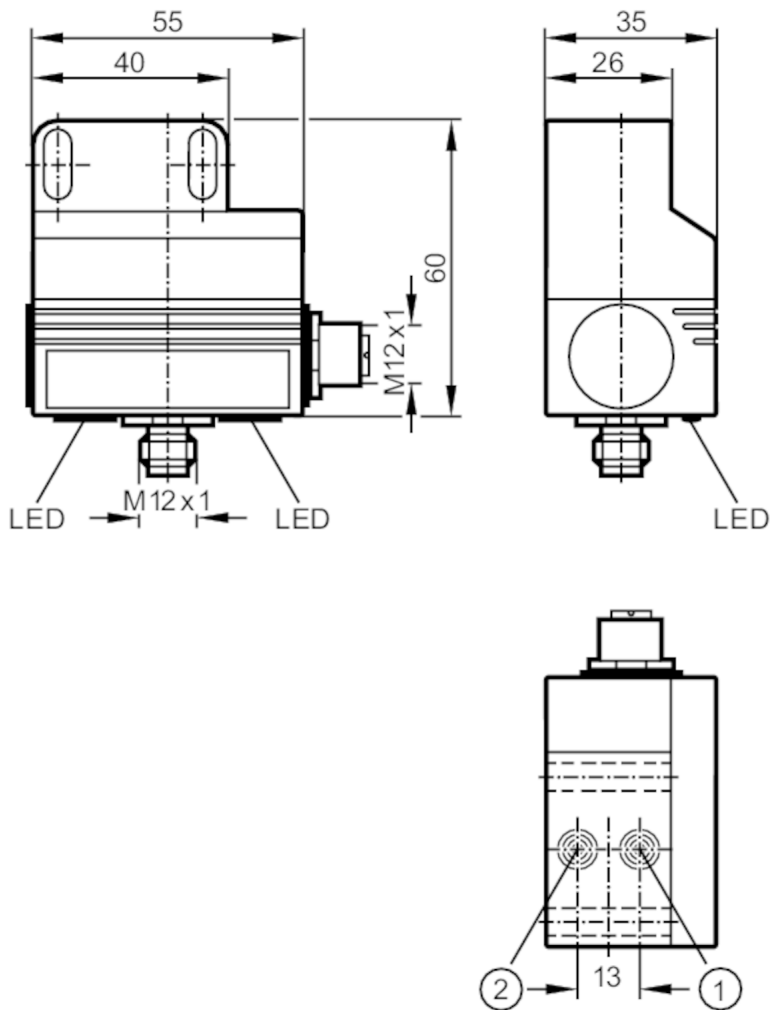


# AC2310



## AS-Interface dual sensor for pneumatic quarter-turn actuators

DUAL SENSOR T5 2SI 1DO T M12



- 1 sensor 1
- 2 sensor 2



Product characteristics		
Electrical design		AS-i
Sensing range	[mm]	4
Dimensions	[mm]	55 x 60 x 35
Electrical data		
Operating voltage	[V]	26.5...31.6 DC; (cULus - Class 2 source required)
Current consumption	[mA]	< 160
Outputs		
Electrical design		AS-i
Permanent current rating of switching output DC	[mA]	100
Short-circuit proof		yes
Monitoring range		
Sensing range	[mm]	4

# AC2310



## AS-Interface dual sensor for pneumatic quarter-turn actuators

DUAL SENSOR T5 2SI 1DO T M12

### Operating conditions

Ambient temperature	[°C]	-20...70
Protection		IP 67

### Tests / approvals

EMC		EN 50295	
		EN 61000-6-2	
MTTF	[years]		394

### AS-i classification

AS-i version		2.1
Extended addressing mode		no
AS-i I/O configuration	[hex]	7
AS-i ID code	[hex]	F.F
AS-i certificate		75003

### Mechanical data

Weight	[g]	179.5
Mounting		non-flush mountable
Dimensions	[mm]	55 x 60 x 35
Material		PBT; PC

### Displays / operating elements

Display	Power	1 x LED, green
	Function	1 x LED, yellow
	error	LED, red

### Accessories

Items supplied	reinforcement bracket
	socket head screws: 2 x M5 x 35
	washers: 2

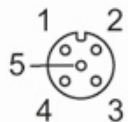
### Remarks

Pack quantity	1 pcs.
---------------	--------

### Electrical connection

#### Electrical connection - Socket

Connector: 1 x M12; coding: A; Moulded body: stainless steel (1.4305 / 303)



### Outputs

3	External voltage -
4	Switching output 1 +

# AC2310



## AS-Interface dual sensor for pneumatic quarter-turn actuators

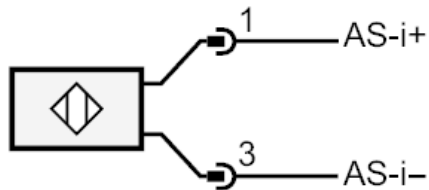
DUAL SENSOR T5 2SI 1DO T M12

### Electrical connection - plug

Connector: 1 x M12; coding: A; Moulded body: stainless steel (1.4305 / 303)



### Connection



### Electrical connection

1	AS-i +
3	AS-i -