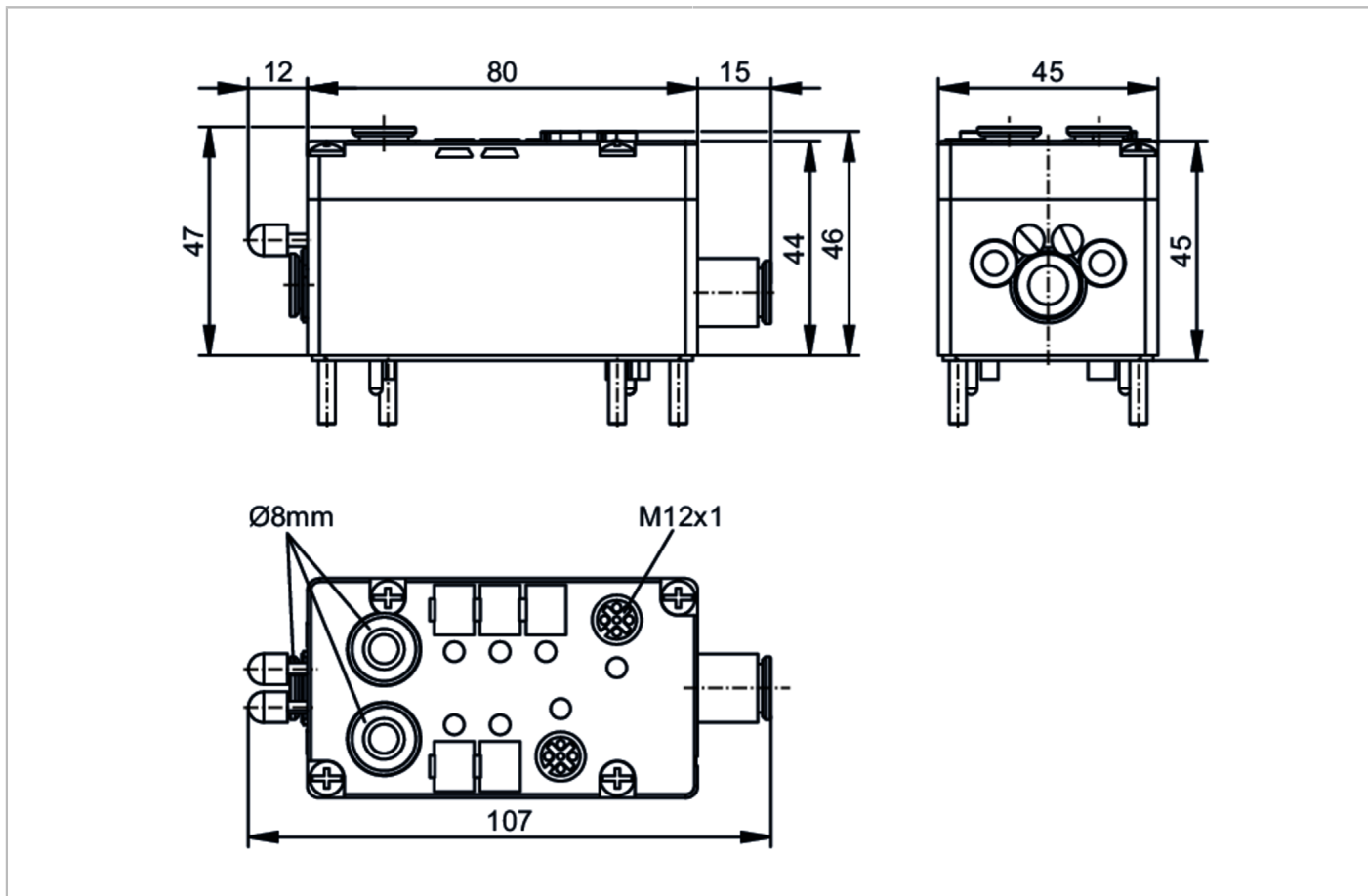


AC2055



AS-Interface Airbox

AirBox 2x2DI 2PO M12 V2A



Application	
Application	field installation
Electrical data	
Operating voltage [V]	26.5...31.6 DC
Max. current consumption from AS-i [mA]	170
Integrated watchdog	yes
Inputs / outputs	
Number of inputs and outputs	Number of digital inputs: 4; Number of pneumatic outputs: 2
Inputs	
Number of digital inputs	4; (2 x 2)
Input circuit of digital inputs	PNP
Sensor supply of the inputs	AS-i
Voltage supply [V]	20...30
Max. total current rating of inputs [mA]	100
Input current High [mA]	> 3
Input current low [mA]	< 1.5
Switching level high [V]	> 10

AC2055



AS-Interface Airbox

AirBox 2x2DI 2PO M12 V2A

Digital inputs protected against short circuits	yes
---	-----

Outputs

Number of pneumatic outputs	2
Actuator supply outputs	AS-i

Operating conditions

Ambient temperature [°C]	0...55
Note on ambient temperature	with special compressed air treatment: < 0 °C
Storage temperature [°C]	-20...80
Max. relative air humidity [%]	90; (non condensing)
Max. height above sea level [m]	2000
Protection	IP 67
Degree of soiling	2

Tests / approvals

EMC	EN 62026-2	
	EN IEC 61000-6-2	
	EN IEC 61000-6-4	
	EN IEC 61326-1	

AS-i classification

Extended addressing mode	no															
AS-i master profile	M2; M3; M4															
AS-i profile	S-7.F.F															
AS-i I/O configuration [hex]	7															
AS-i ID code [hex]	F.F															
Data bits	<table><thead><tr><th>Data bit</th><th>D0</th><th>D1</th><th>D2</th><th>D3</th></tr></thead><tbody><tr><td>Inputs / outputs</td><td>I-1</td><td>I-2</td><td>I-3 / O-3</td><td>I-4 / O-4</td></tr><tr><td>Pin</td><td>4</td><td>2</td><td>4</td><td>2</td></tr></tbody></table>	Data bit	D0	D1	D2	D3	Inputs / outputs	I-1	I-2	I-3 / O-3	I-4 / O-4	Pin	4	2	4	2
Data bit	D0	D1	D2	D3												
Inputs / outputs	I-1	I-2	I-3 / O-3	I-4 / O-4												
Pin	4	2	4	2												

Mechanical data

Weight [g]	263.5
Type of mounting	screw mounting
Dimensions [mm]	45 x 80 x 46
Material	housing: PBT; metal parts: stainless steel (1.4305 / 303); sealing: FKM
Pneumatic system	2 x 3/2-way seat valves
Operating pressure range [bar]	2...8
Note on working pressure range	incl. possible pressure peaks
Air flow at 6/5 bar [l/min]	350
Air flow at 6/0 bar [l/min]	550
Permissible compressed air	filtered (5 µm); lubricated (ISO-VG10) or not lubricated
Tube fittings	Legris LF 3000/8
Exhaust	exhaust can be discharged through tube connection

Displays / operating elements

Display	Power	LED, green (AS-i)
	Switching status	LED, yellow (I1...I4, O3...O4)

AC2055



AS-Interface Airbox

AirBox 2x2DI 2PO M12 V2A

Electrical connection

Module connection	Flat cable
-------------------	------------

Accessories

Accessories (optional)	Silencer:, E75232
------------------------	-------------------

Remarks

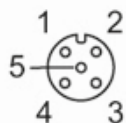
Remarks	Please see the notes on compressed air and EMC/ESD under "Downloads"
---------	--

Pack quantity	1 pcs.
---------------	--------

Electrical connection - Socket I-1/2

contact pins to module lower part, FK / PG:

Connector: M12; coding: A

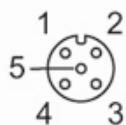


	Inputs
1	Sensor supply L+
2	Data input I2
3	Sensor supply L-
4	Data input I1
5	not used

Electrical connection - Socket I-3/4

contact pins to module lower part, FK / PG:

Connector: M12; coding: A



	Inputs
1	Sensor supply L+
2	Data input I4
3	Sensor supply L-
4	Data input I3
5	not used