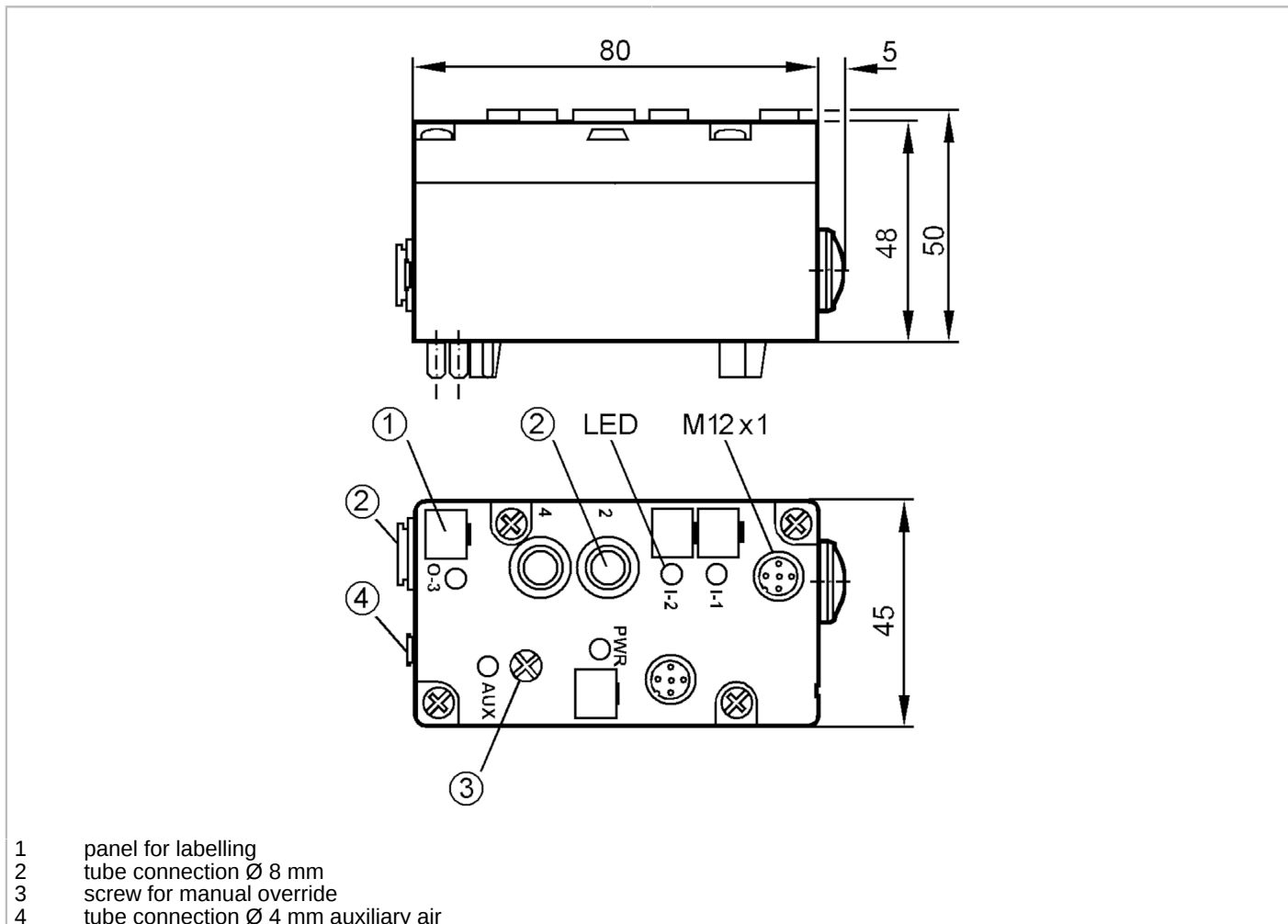


# AC2048



## AS-Interface Airbox

AirBox 2DI 1PO M12



Application	
Application	field installation
Electrical data	
Operating voltage [V]	26.5...31.6 DC
Max. current consumption from AS-i [mA]	165
Additional voltage supply [V]	18...30 DC; (to PELV)
Integrated watchdog	yes
Inputs / outputs	
Number of inputs and outputs	Number of digital inputs: 2; Number of pneumatic outputs: 1
Inputs	
Number of digital inputs	2
Input circuit of digital inputs	PNP
Sensor supply of the inputs	AS-i
Voltage supply [V]	20...30
Max. total current rating of inputs [mA]	100
Input current High [mA]	> 3

# AC2048



## AS-Interface Airbox

AirBox 2DI 1PO M12

Input current low	[mA]	< 1.5
Switching level high	[V]	> 10
Digital inputs protected against short circuits		yes

### Outputs

Number of pneumatic outputs	1; (pneumatic NO/NC selectable output ; monostable)
Actuator supply outputs	AUX

### Operating conditions

Ambient temperature	[°C]	0...55
Note on ambient temperature		with special compressed air treatment: < 0 °C
Protection		IP 65

### Tests / approvals

EMC	EN 50295
-----	----------

### AS-i classification

Extended addressing mode	no				
AS-i master profile	M2; M3; M4				
AS-i profile	S-3.F				
AS-i I/O configuration	[hex] 3				
AS-i ID code	[hex] F				
Data bits					
	Data bit	D0	D1	D2	D3
	Socket	I-1	I-1 / I-2	O-3	-
	Pin	4	2 / 4	-	-

### Mechanical data

Weight	[g]	245
Type of mounting		screw mounting
Material		PBT
Pneumatic system		1 x 4/2-way seat valve
Operating pressure range	[bar]	3...8
Operating pressure range	[MPa]	0.3...0.8
Note on working pressure range		incl. possible pressure peaks
Air flow at 6/5 bar	[l/min]	500
Air flow at 6/0 bar	[l/min]	700
Permissible compressed air		filtered (5 µm); lubricated (ISO-VG10) or not lubricated
Auxiliary air 90 % vacuum	[bar]	3...8
Auxiliary air 90 % vacuum	[MPa]	0.3...0.8
Tube fittings		Legris LF 3000/8 / LF 3000/4
Exhaust		integrated exhaust

### Displays / operating elements

Display	Power	LED, green
	Function	LED, yellow

### Electrical connection

Module connection	Flat cable
-------------------	------------

# AC2048



## AS-Interface Airbox

AirBox 2DI 1PO M12

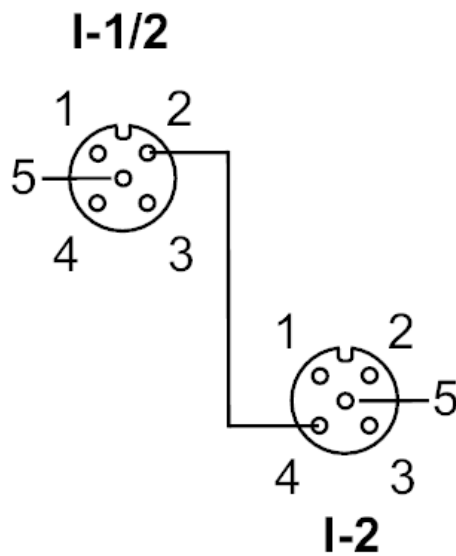
### Remarks

Remarks	Please see the notes on compressed air and EMC/ESD under "Downloads"
Pack quantity	1 pcs.

### Electrical connection

contact pins to module lower part, FK-E / PG:

### Connection



Connector: M12

	Input
	Socket I-1/2
1	Sensor supply L+
2	Data input 2
3	Sensor supply L-
4	Data input 1
5	not used
	Socket I-2
1	Sensor supply L+
2	not used
3	Sensor supply L-
4	Data input 2
5	not used