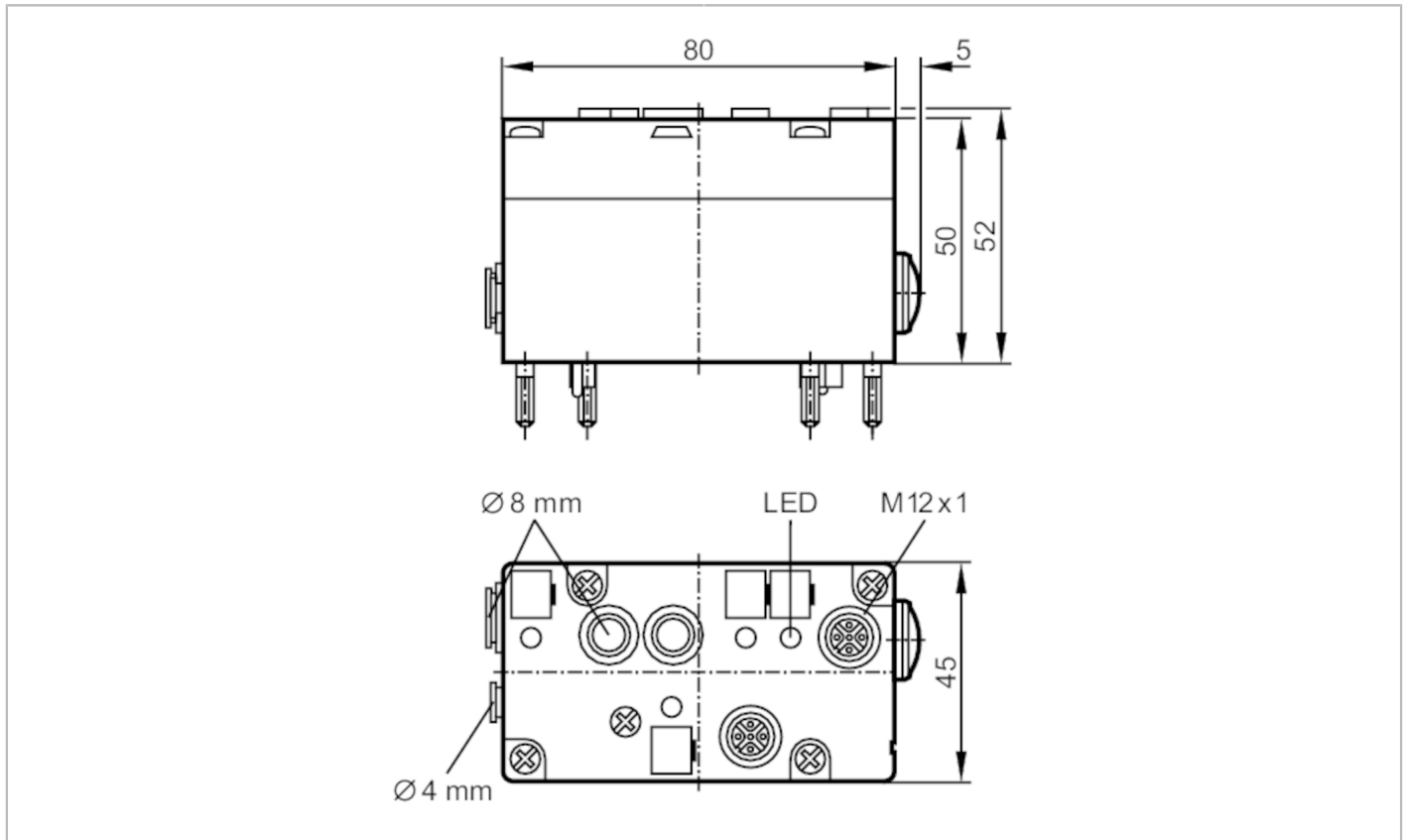


AC2046



AS-Interface Airbox

AirBox 2DI 1PO M12



Application	
Application	field installation
Electrical data	
Operating voltage [V]	26.5...31.6 DC
Max. current consumption from AS-i [mA]	165
Integrated watchdog	yes
Inputs / outputs	
Number of inputs and outputs	Number of digital inputs: 2; Number of pneumatic outputs: 1
Inputs	
Number of digital inputs	2
Input circuit of digital inputs	PNP
Sensor supply of the inputs	AS-i
Voltage supply [V]	20...30
Max. total current rating of inputs [mA]	100
Input current High [mA]	> 3
Input current low [mA]	< 1.5
Switching level high [V]	> 10
Digital inputs protected against short circuits	yes

AC2046



AS-Interface Airbox

AirBox 2DI 1PO M12

Outputs					
Number of pneumatic outputs	1; (pneumatic NO/NC selectable output ; monostable)				
Actuator supply outputs	AS-i				
Operating conditions					
Ambient temperature [°C]	0...55				
Note on ambient temperature	with special compressed air treatment: < 0 °C				
Protection	IP 65				
Tests / approvals					
EMC	EN 50295				
AS-i classification					
Extended addressing mode	no				
AS-i master profile	M2; M3; M4				
AS-i profile	S-3.F				
AS-i I/O configuration [hex]	3				
AS-i ID code [hex]	F				
Data bits	Data bit	D0	D1	D2	D3
	Socket	I-1	I-1 / I-2	O-3	-
	Pin	4	2 / 4	-	-
Mechanical data					
Weight [g]	243.5				
Type of mounting	screw mounting				
Material	PBT				
Pneumatic system	1 x 4/2-way seat valve				
Operating pressure range [bar]	3...8				
Operating pressure range [MPa]	0.3...0.8				
Note on working pressure range	incl. possible pressure peaks				
Air flow at 6/5 bar [l/min]	500				
Air flow at 6/0 bar [l/min]	700				
Permissible compressed air	filtered (5 µm); lubricated (ISO-VG10) or not lubricated				
Auxiliary air 90 % vacuum [bar]	3...8				
Auxiliary air 90 % vacuum [MPa]	0.3...0.8				
Tube fittings	Legris LF 3000/8 / LF 3000/4				
Exhaust	integrated exhaust				
Displays / operating elements					
Display	Power	LED, green			
	Function	LED, yellow			
Electrical connection					
Module connection	Flat cable				
Remarks					
Remarks	Please see the notes on compressed air and EMC/ESD under "Downloads"				
Pack quantity	1 pcs.				



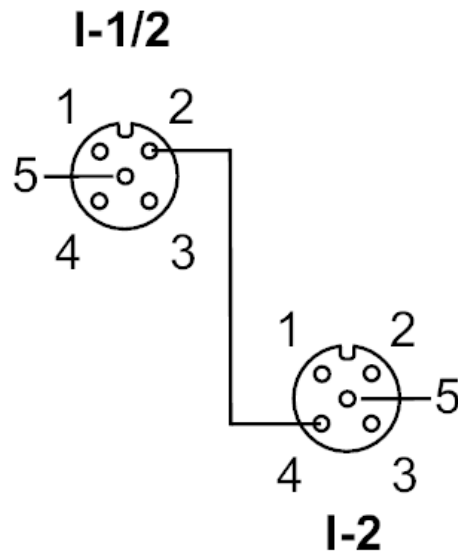
AS-Interface Airbox

AirBox 2DI 1PO M12

Electrical connection

contact pins to module lower part, FK / PG:

Connection



Connector: M12

	Input
	Socket I-1/2
1	Sensor supply L+
2	Data input 2
3	Sensor supply L-
4	Data input 1
5	not used
	Socket I-2
1	Sensor supply L+
2	not used
3	Sensor supply L-
4	Data input 2
5	not used