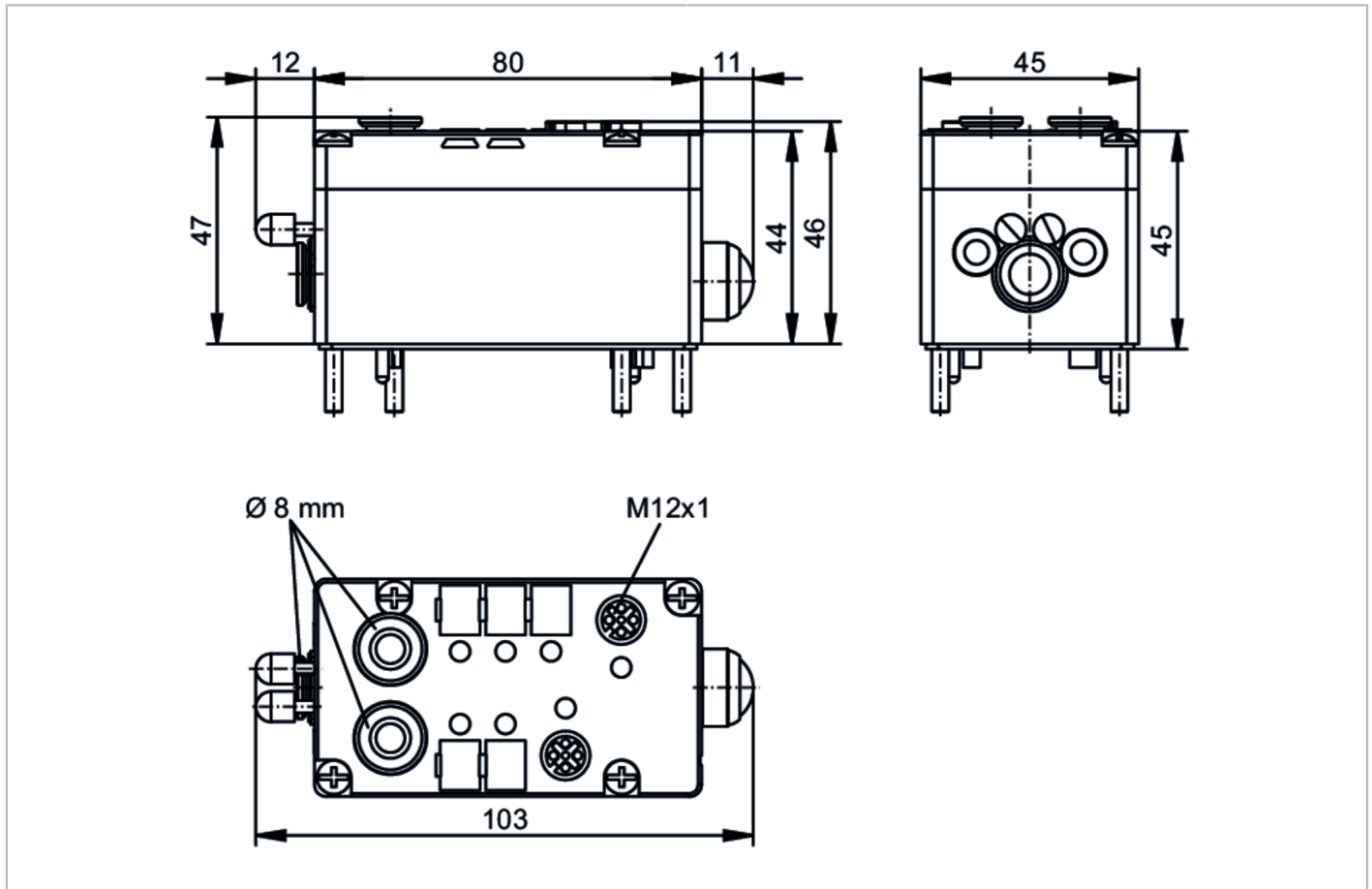


AC2042



AS-Interface Airbox

AirBox 2x2DI 2PO M12



| Application | |
|--|---|
| Application | field installation |
| Electrical data | |
| Operating voltage [V] | 26.5...31.6 DC |
| Max. current consumption from AS-i [mA] | 170 |
| Integrated watchdog | yes |
| Inputs / outputs | |
| Number of inputs and outputs | Number of digital inputs: 4; Number of pneumatic outputs: 2 |
| Inputs | |
| Number of digital inputs | 4; (2 x 2) |
| Input circuit of digital inputs | PNP |
| Sensor supply of the inputs | AS-i |
| Voltage supply [V] | 20...30 |
| Max. total current rating of inputs [mA] | 100 |
| Input current High [mA] | > 3 |
| Input current low [mA] | < 1.5 |
| Switching level high [V] | > 10 |

AC2042



AS-Interface Airbox

AirBox 2x2DI 2PO M12

| | |
|---|-----|
| Digital inputs protected against short circuits | yes |
|---|-----|

Outputs

| | |
|-----------------------------|------|
| Number of pneumatic outputs | 2 |
| Actuator supply outputs | AS-i |

Operating conditions

| | |
|---------------------------------|---|
| Ambient temperature [°C] | 0...55 |
| Note on ambient temperature | with special compressed air treatment: < 0 °C |
| Storage temperature [°C] | -20...80 |
| Max. height above sea level [m] | 2000 |
| Protection | IP 65 |

Tests / approvals

| | | |
|-----|------------------|--|
| EMC | EN 62026-2 | |
| | EN IEC 61000-6-2 | |
| | EN IEC 61000-6-4 | |
| | EN IEC 61326-1 | |

AS-i classification

| Extended addressing mode | no | | | | | | | | | | | | | | | |
|------------------------------|---|----------|----------|-----------|----|----|------------------|-----|-----|----------|-----------|-----|---|---|---|---|
| AS-i master profile | M2; M3; M4 | | | | | | | | | | | | | | | |
| AS-i profile | S-7.F.F | | | | | | | | | | | | | | | |
| AS-i I/O configuration [hex] | 7 | | | | | | | | | | | | | | | |
| AS-i ID code [hex] | F.F | | | | | | | | | | | | | | | |
| Data bits | <table><thead><tr><th>Data bit</th><th>D0</th><th>D1</th><th>D2</th><th>D3</th></tr></thead><tbody><tr><td>Inputs / outputs</td><td>I-1</td><td>I-2</td><td>I-3/ O-3</td><td>I-4 / O-4</td></tr><tr><td>Pin</td><td>4</td><td>2</td><td>4</td><td>2</td></tr></tbody></table> | Data bit | D0 | D1 | D2 | D3 | Inputs / outputs | I-1 | I-2 | I-3/ O-3 | I-4 / O-4 | Pin | 4 | 2 | 4 | 2 |
| Data bit | D0 | D1 | D2 | D3 | | | | | | | | | | | | |
| Inputs / outputs | I-1 | I-2 | I-3/ O-3 | I-4 / O-4 | | | | | | | | | | | | |
| Pin | 4 | 2 | 4 | 2 | | | | | | | | | | | | |

Mechanical data

| | |
|--------------------------------|--|
| Weight [g] | 253.5 |
| Type of mounting | screw mounting |
| Dimensions [mm] | 45 x 80 x 46 |
| Material | PBT |
| Pneumatic system | 2 x 3/2-way seat valves |
| Operating pressure range [bar] | 2...8 |
| Note on working pressure range | incl. possible pressure peaks |
| Air flow at 6/5 bar [l/min] | 350 |
| Air flow at 6/0 bar [l/min] | 550 |
| Permissible compressed air | filtered (5 µm); lubricated (ISO-VG10) or not lubricated |
| Tube fittings | Legris LF 3000/8 |
| Exhaust | integrated exhaust |

Displays / operating elements

| | | |
|---------|------------------|--------------------------------|
| Display | Power | LED, green (AS-i) |
| | Switching status | LED, yellow (I1...I4, O3...O4) |

Electrical connection

| | |
|-------------------|------------|
| Module connection | Flat cable |
|-------------------|------------|

AC2042



AS-Interface Airbox

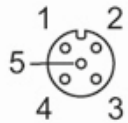
AirBox 2x2DI 2PO M12

| Remarks | |
|---------------|--|
| Remarks | Please see the notes on compressed air and EMC/ESD under "Downloads" |
| Pack quantity | 1 pcs. |

Electrical connection - Socket I-1/2

contact pins to module lower part, FK / PG:

Connector: M12; coding: A

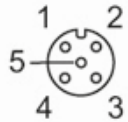


| | Inputs |
|---|------------------|
| 1 | Sensor supply L+ |
| 2 | Data input I2 |
| 3 | Sensor supply L- |
| 4 | Data input I1 |
| 5 | not used |

Electrical connection - Socket I-3/4

contact pins to module lower part, FK / PG:

Connector: M12; coding: A



| | Inputs |
|---|------------------|
| 1 | Sensor supply L+ |
| 2 | Data input I4 |
| 3 | Sensor supply L- |
| 4 | Data input I3 |
| 5 | not used |