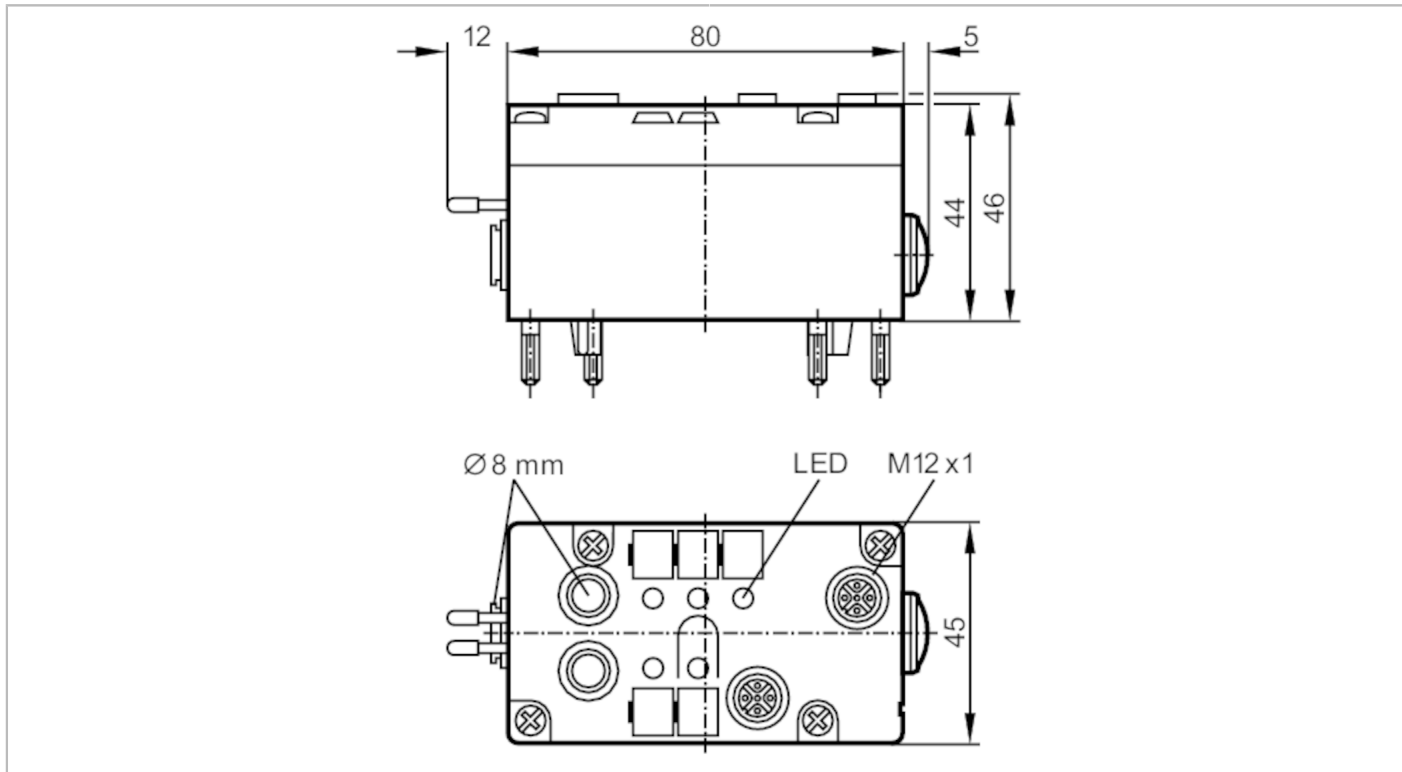


AC2041



AS-Interface Airbox

AirBox 2x2DI 2PO M12



Application

Application	field installation
-------------	--------------------

Electrical data

Operating voltage	[V]	26.5...31.6 DC
Max. current consumption from AS-i	[mA]	170
Additional voltage supply	[V]	18...30 DC; (to PELV)
Integrated watchdog		yes

Inputs / outputs

Number of inputs and outputs	Number of digital inputs: 4; Number of pneumatic outputs: 2
------------------------------	---

Inputs

Number of digital inputs		4; (2 x 2)
Input circuit of digital inputs		PNP
Sensor supply of the inputs		AS-i
Voltage supply	[V]	20...30
Max. total current rating of inputs	[mA]	100
Input current High	[mA]	> 3
Input current low	[mA]	< 1.5
Switching level high	[V]	> 10
Digital inputs protected against short circuits		yes

AC2041



AS-Interface Airbox

AirBox 2x2DI 2PO M12

Outputs					
Number of pneumatic outputs	2				
Actuator supply outputs	AUX				
Operating conditions					
Ambient temperature [°C]	0...55				
Note on ambient temperature	with special compressed air treatment: < 0 °C				
Protection	IP 65				
Tests / approvals					
EMC	EN 50295				
AS-i classification					
Extended addressing mode	no				
AS-i master profile	M2; M3; M4				
AS-i profile	S-7.F				
AS-i I/O configuration [hex]	7				
AS-i ID code [hex]	F				
Data bits	Data bit	D0	D1	D2	D3
	Inputs / outputs	I-1/2	I-1/2	I-3/4 / O3	I-3/4 / O4
	Pin	4	2	4	2
Mechanical data					
Weight [g]	260				
Type of mounting	screw mounting				
Material	PBT				
Pneumatic system	2 x 3/2-way seat valves				
Operating pressure range [bar]	2...8				
Operating pressure range [MPa]	0.2...0.8				
Note on working pressure range	incl. possible pressure peaks				
Air flow at 6/5 bar [l/min]	350				
Air flow at 6/0 bar [l/min]	550				
Permissible compressed air	filtered (5 µm); lubricated (ISO-VG10) or not lubricated				
Tube fittings	Legris LF 3000/8				
Exhaust	integrated exhaust				
Displays / operating elements					
Display	Power	LED, green			
	Function	LED, yellow			
Electrical connection					
Module connection	Flat cable				
Remarks					
Remarks	Please see the notes on compressed air and EMC/ESD under "Downloads"				
Pack quantity	1 pcs.				

AC2041



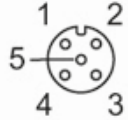
AS-Interface Airbox

AirBox 2x2DI 2PO M12

Electrical connection

contact pins to module lower part, FK-E / PG:

Connector: M12; coding: A



	Inputs
1	Sensor supply L+
2	Data input I2 / I4
3	Sensor supply L-
4	Data input I1 / I3
5	not used