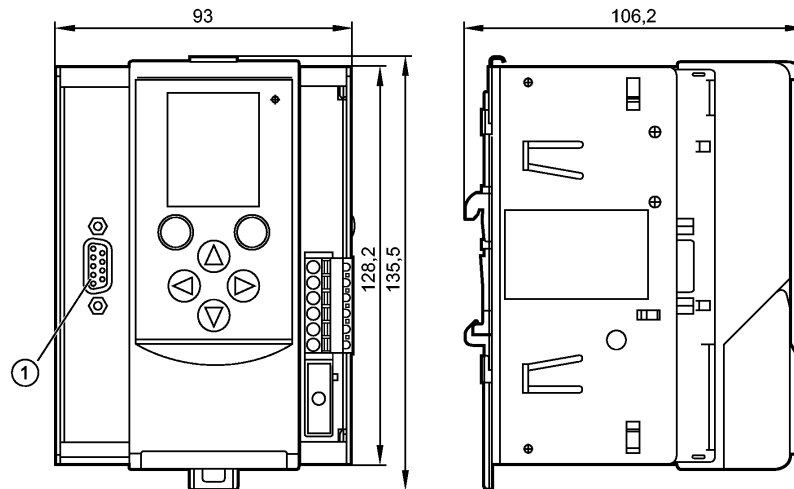


AC1412

AS-i Gateway 2Master DPV1

Bussystem AS-Interface



1: Sub-D (9-polig)



Produktmerkmale

| |
|---|
| AS-i Profibus Gateway |
| Klemmschienengehäuse |
| AS-i Master |
| Ethernet-Konfigurationsschnittstelle mit dynamischer Web-Schnittstelle zur Konfiguration und Diagnose inklusive Fernwartung |
| Profibus DP (DPV0 + DPV1) |
| LCD-Farbdisplay |
| Geräteversorgung wahlweise aus 24 V oder aus AS-i (AS-i Bus 1) |

Einsatzbereich

| | |
|----------------|------------------------------|
| Einsatzbereich | Einsatz als Profibus Gateway |
|----------------|------------------------------|

Elektrische Daten

| | |
|---|--|
| Anzahl AS-i Master | 2 |
| Betriebsspannung [V] | 18...32 DC (AUX) / 21...31,6 DC (AS-i) |
| Stromaufnahme aus 24 V DC und AS-i [mA] | < 500 (24 V) / < 10 aus AS-i 1 / < 10 aus AS-i 2 |
| Stromaufnahme aus AS-i (ohne externe Versorgung) [mA] | < 500 aus AS-i 1 / < 10 aus AS-i 2 |
| Potentialtrennung | ja |

Ausgänge

| | |
|-----------------------------|-----------|
| Externe Spannungsversorgung | nach PELV |
|-----------------------------|-----------|

Schnittstellen

| | |
|--------------------------|---|
| Programmierschnittstelle | Ethernet; RJ 45; 10/100 MBaud |
| Datenschnittstelle | Profibus DP (DPV0 + DPV1), max. 12 MBaud, EN50170 |

Umgebungsbedingungen

| | |
|--------------------------|----------|
| Umgebungstemperatur [°C] | 0...60 |
| Lagertemperatur [°C] | -20...70 |
| Schutzart | IP 20 |

AS-i Kennwerte

| | |
|-----------------|-------|
| AS-i Version | 3.0 |
| AS-i Profil | M4 |
| AS-i Zertifikat | 97302 |



AC1412

AS-i Gateway 2Master DPV1

Bussystem AS-Interface

Mechanische Daten

| | |
|-------------------|--|
| Gehäusewerkstoffe | Aluminium pulverbeschichtet; Stahlblech verzinkt; Makrolon |
| Gewicht [kg] | 0,699 |

Anzeigen / Bedienelemente

| | |
|----------------------|----------------------------|
| Anzeige | Vollgrafik-LCD-Display |
| Funktionsanzeige LED | 1 x rot / grün (Kombi-LED) |

Elektrischer Anschluss

| | |
|-----------|---------------------------------|
| Anschluss | Klemmen bis 2,5 mm ² |
|-----------|---------------------------------|

Anschlussbelegung

| | |
|---|---------|
| □ | AS-i 2+ |
| □ | AS-i 2- |
| □ | AS-i 1+ |
| □ | AS-i 1- |
| □ | FE |
| □ | n.c. |
| □ | 24 V |
| □ | 0 V |

Zubehör

| | |
|------------------------|----------------------------|
| Zubehör (mitgeliefert) | Anschlussklemmen |
| Zubehör (optional) | CODESYS-Lizenz V3 (E71400) |

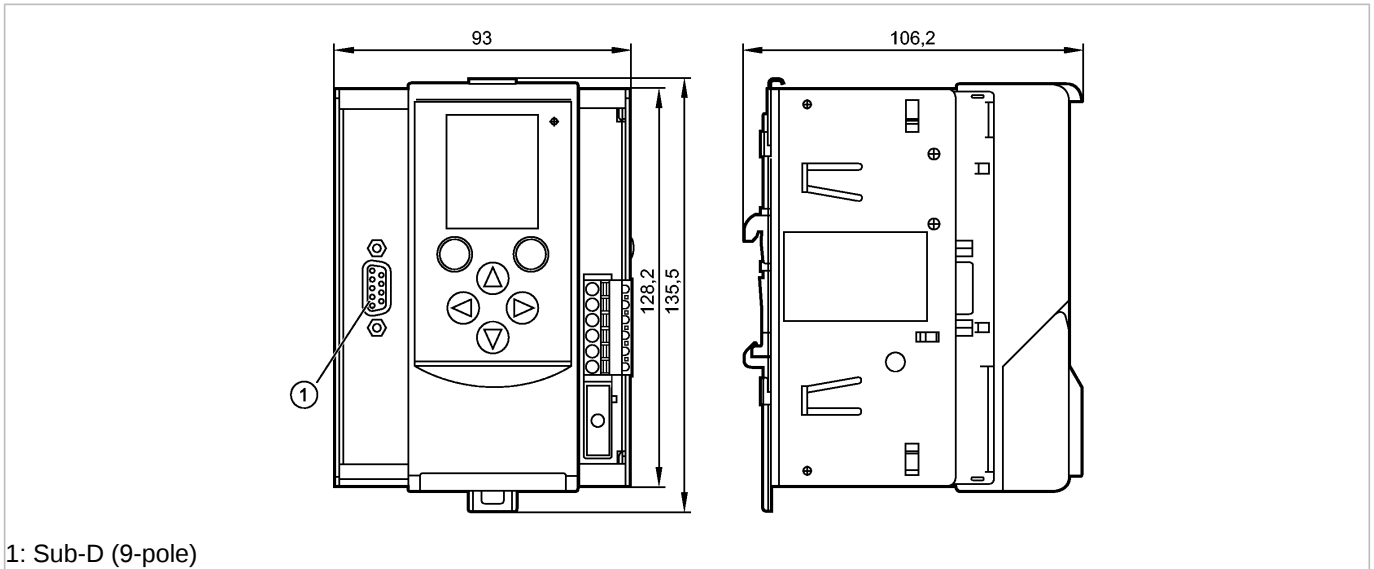
Bemerkungen

| | |
|----------------------------|---|
| Verpackungseinheit [Stück] | 1 |
|----------------------------|---|

AC1412

AS-i Gateway 2Master DPV1

Bus system AS-Interface



1: Sub-D (9-pole)



Product characteristics

| |
|--|
| AS-i Profibus gateway |
| Housing for DIN rail mounting |
| AS-i master |
| Ethernet configuration interface with dynamic web interface for configuration and diagnosis including remote maintenance |
| Profibus DP (DPV0 + DPV1) |
| LCD colour display |
| Device supply either via 24 V or AS-i (AS-i bus 1) |

Application

| | |
|-------------|-------------------------|
| Application | Use as Profibus gateway |
|-------------|-------------------------|

Electrical data

| | |
|--|--|
| Number of AS-i masters | 2 |
| Operating voltage [V] | 18...32 DC (AUX) / 21...31.6 DC (AS-i) |
| Current consumption from 24 V DC and AS-i [mA] | < 500 (24 V) / < 10 from AS-i 1 / < 10 from AS-i 2 |
| Current consumption from AS-i (without external supply) [mA] | < 500 via AS-i 1 / < 10 via AS-i 2 |
| Electrical separation | yes |

Outputs

| | |
|-------------------------|-------------------|
| External voltage supply | according to PELV |
|-------------------------|-------------------|

Interfaces

| | |
|-----------------------|---|
| Programming interface | Ethernet; RJ 45; 10/100 MBaud |
| Data interface | Profibus DP (DPV0 + DPV1), max. 12 Mbaud, EN50170 |

Environment

| | |
|--------------------------|----------|
| Ambient temperature [°C] | 0...60 |
| Storage temperature [°C] | -20...70 |
| Protection | IP 20 |

AS-i classification

| | |
|------------------|-------|
| AS-i version | 3.0 |
| AS-i profile | M4 |
| AS-i certificate | 97302 |



AC1412

AS-i Gateway 2Master DPV1

Bus system AS-Interface

Mechanical data

| | |
|-------------------|---|
| Housing materials | aluminium powder-coated; steel sheet galvanised; Makrolon |
| Weight [kg] | 0.699 |

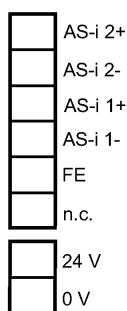
Displays / operating elements

| | |
|----------------------|--------------------------------|
| Display | full graphic LCD display |
| Function display LED | 1 x red / green (combined LED) |

Electrical connection

| | |
|------------|-------------------------------------|
| Connection | terminals up to 2.5 mm ² |
|------------|-------------------------------------|

Wiring



Accessories

| | |
|------------------------|-----------------------------|
| Accessories (included) | terminals |
| Accessories (optional) | CODESYS licence V3 (E71400) |

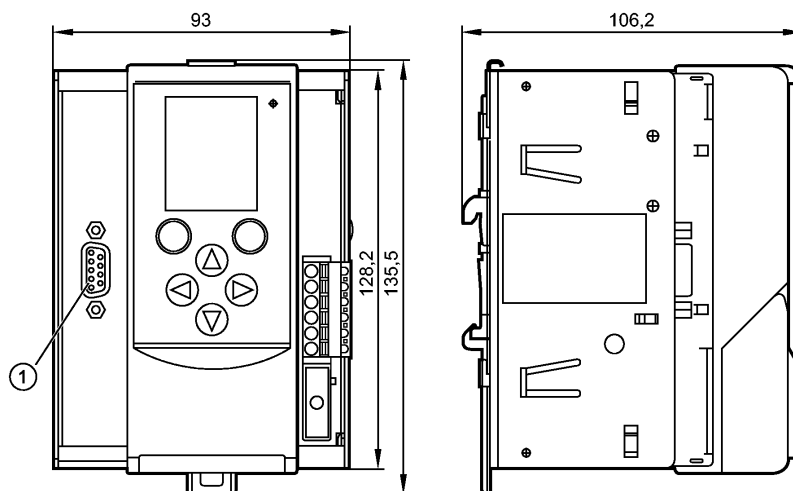
Remarks

| | |
|-----------------------|---|
| Pack quantity [piece] | 1 |
|-----------------------|---|

AC1412

AS-i Gateway 2Master DPV1

Système bus AS-interface



1: Sub-D (9 pôles)



Caractéristiques du produit

| |
|--|
| Passerelle AS-i Profibus |
| Montage en glissière |
| Maître AS-i |
| Interface de configuration Ethernet avec interface web dynamique pour configuration et diagnostic, y compris télémaintenance |
| Profibus DP (DPV0 + DPV1) |
| afficheur LCD couleur |
| Alimentation de l'appareil via 24 V ou AS-i (bus AS-i 1) |

Application

| | |
|-------------|---------------------------------------|
| Application | Utilisation comme passerelle Profibus |
|-------------|---------------------------------------|

Données électriques

| | |
|--|--|
| Nombre de maîtres AS-i | 2 |
| Tension d'alimentation [V] | 18...32 DC (AUX) / 21...31,6 DC (AS-i) |
| Consommation via 24 V DC et AS-i [mA] | < 500 (24 V) / < 10 via AS-i 1 / < 10 via AS-i 2 |
| Consommation via AS-i (sans alimentation externe) [mA] | < 500 via AS-i 1 / < 10 via AS-i 2 |
| Isolation galvanique | oui |

Sorties

| | |
|---------------------------------|------------|
| Alimentation externe en tension | selon TBTP |
|---------------------------------|------------|

Interfaces

| | |
|----------------------------|---|
| Interface de programmation | Ethernet; RJ 45; 10/100 MBaud |
| Interface de données | Profibus DP (DPV0 + DPV1), max. 12 MBaud, EN50170 |

Conditions d'utilisation

| | |
|------------------------------|----------|
| Température ambiante [°C] | 0...60 |
| Température de stockage [°C] | -20...70 |
| Protection | IP 20 |

Classification AS-i

| | |
|-----------------|-------|
| Version AS-i | 3.0 |
| Profil AS-i | M4 |
| Certificat AS-i | 97302 |



AC1412

AS-i Gateway 2Master DPV1

Système bus AS-interface

Données mécaniques

| | |
|------------------|--|
| Matières boîtier | aluminium surface protégée par pulvérisation; tôle d'acier galvanisé; Makrolon |
| Poids [kg] | 0,699 |

Afficheurs / éléments de service

| | |
|----------------------------|--|
| Indication | afficheur LCD entièrement graphique |
| Indication de fonction LED | 1 x rouge / vert (LED à deux couleurs) |

Raccordement électrique

| | |
|--------------|------------------------------------|
| Raccordement | bornes jusqu'à 2,5 mm ² |
|--------------|------------------------------------|

Branchement

| | |
|--------------------------|---------|
| <input type="checkbox"/> | AS-i 2+ |
| <input type="checkbox"/> | AS-i 2- |
| <input type="checkbox"/> | AS-i 1+ |
| <input type="checkbox"/> | AS-i 1- |
| <input type="checkbox"/> | FE |
| <input type="checkbox"/> | n.c. |
| <input type="checkbox"/> | 24 V |
| <input type="checkbox"/> | 0 V |

Accessoires

| | |
|-----------------------|-----------------------------|
| Accessoires (fournis) | boîte de raccordement |
| Accessoires (option) | Licence CODESYS V3 (E71400) |

Remarques

| | |
|------------------|---|
| Quantité [pièce] | 1 |
|------------------|---|