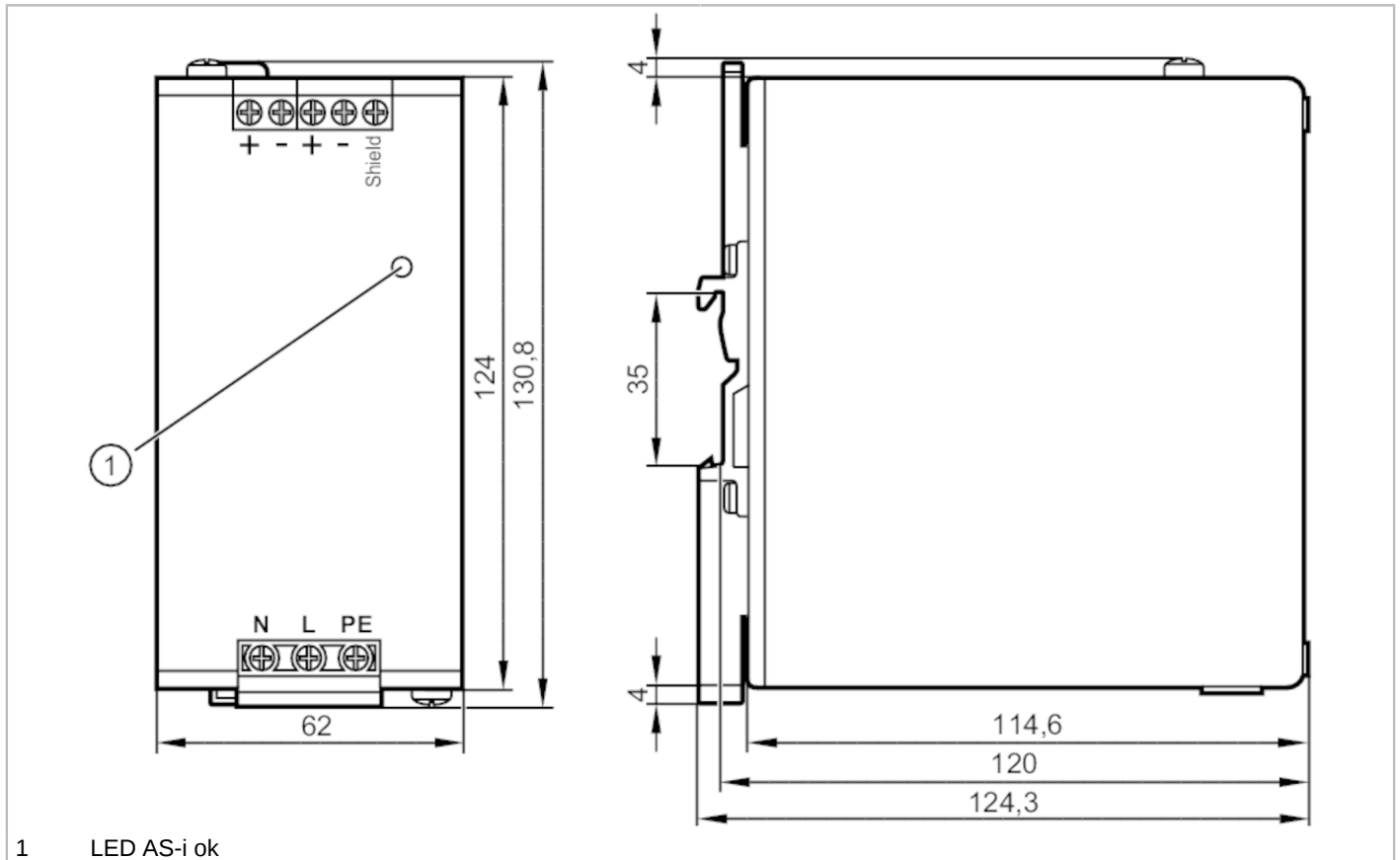


AC1258



AS-Interface power supply

PSU-1AC/ASi-8A



1 LED AS-i ok



Electrical data	
Frequency AC	[Hz] 47...64
Operating voltage tolerance	[%] 10
Operating voltage	[V] automatic range selection
Nominal voltage AC	[V] 110 / 230
Input voltage range AC	[V] 100...120 / 200...240
Protection class	I
Oversvoltage protection	yes; (< 36 V)
Max. power-on delay time	[ms] 800
Output voltage AS-i	[V] 30.5
Output power (permanent)	[W] 244
Output power (peak)	[W] 256
Note on output power (peak)	[W] briefly to load bus capacities after power on
Power factor (nominal voltage 120 V AC / 60 Hz)	0.59
Power factor (nominal voltage 230 V AC / 50 Hz)	0.51
Power reserve	[%] 5
Number of output circuits	1
Output current AS-i	[A] 8
Max. residual ripple	[mV] 100

AC1258



AS-Interface power supply

PSU-1AC/ASI-8A

Switch-on peak current (nominal voltage 120 V AC / 60 Hz)	[A]	3
Switch-on peak current (nominal voltage 230 V AC / 50 Hz)	[A]	3
Inrush current limitation		yes
Efficiency (nominal voltage 120 V AC / 60 Hz)	[%]	89.4
Efficiency (nominal voltage 230 V AC / 50 Hz)	[%]	90.9
External input protection		≤ B-10 A / ≤ C-6 A
Derating	[W/K]	6 (60...70 °C)
Mains buffering time (nominal voltage 120 V AC / 60 Hz)	[ms]	44
Mains buffering time (nominal voltage 230 V AC / 50 Hz)	[ms]	42
Input current (nominal voltage 120 V AC / 60 Hz)	[A]	3.73
Input current (nominal voltage 230 V AC / 50 Hz)	[A]	2.23
Power loss (nominal voltage 120 V AC / 60 Hz)	[W]	28.9
Power loss (nominal voltage 230 V AC / 50 Hz)	[W]	24.4
Integrated data decoupling		yes
Back feeding protection	[V]	35

Outputs		
Short-circuit proof		yes
Overload protection		yes
Overload performance		constant output current
Parallel connection of outputs possible		no
Series connection of outputs possible		no

Operating conditions		
Ambient temperature	[°C]	-25...70
Note on ambient temperature		observe the free space for convection (see operating instructions)
Storage temperature	[°C]	-40...85
Max. relative air humidity	[%]	95; (IEC 60068-2-30)
Protection		IP 20
Degree of soiling		2; (IEC 62103: conductive soiling not permitted)

Tests / approvals		
EMC	EN 61000-6-1	
	EN 61000-6-2	
	EN 61000-6-4	
Vibration resistance	IEC 60068-2-6	± 1,6 mm 2...17,8 Hz / 2 g 17,8...500 Hz
Shock resistance	IEC 60068-2-27	30 g 6 ms / 20 g 11 ms
MTTF	[years]	88

AC1258



AS-Interface power supply

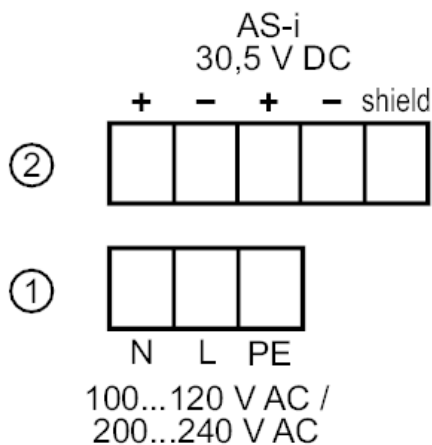
PSU-1AC/ASI-8A

AS-i classification		
AS-i certificate		98501
Mechanical data		
Weight	[g]	898.5
Type of mounting		rail; (TH35 (EN 60715))
Dimensions	[mm]	124 x 62 x 120
Material		steel sheet
Displays / operating elements		
Display	AS-i voltage	LED, green
Remarks		
Pack quantity		1 pcs.

Electrical connection

screw terminals:

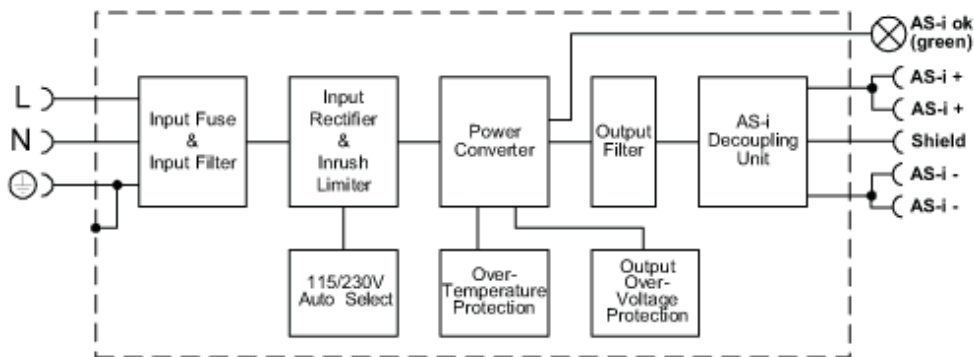
Connection



- 1: primary
- 2: secondary

Diagrams and graphs

Block diagram



AC1258

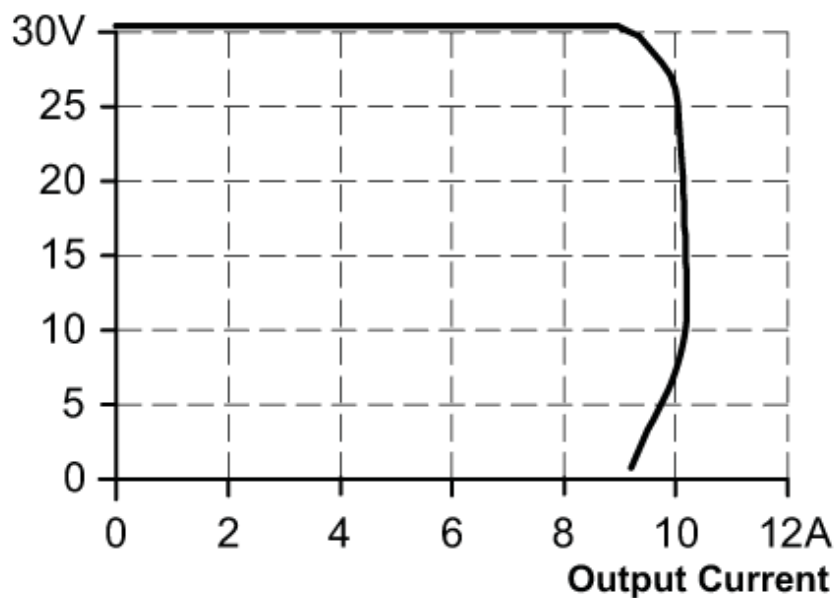


AS-Interface power supply

PSU-1AC/ASi-8A

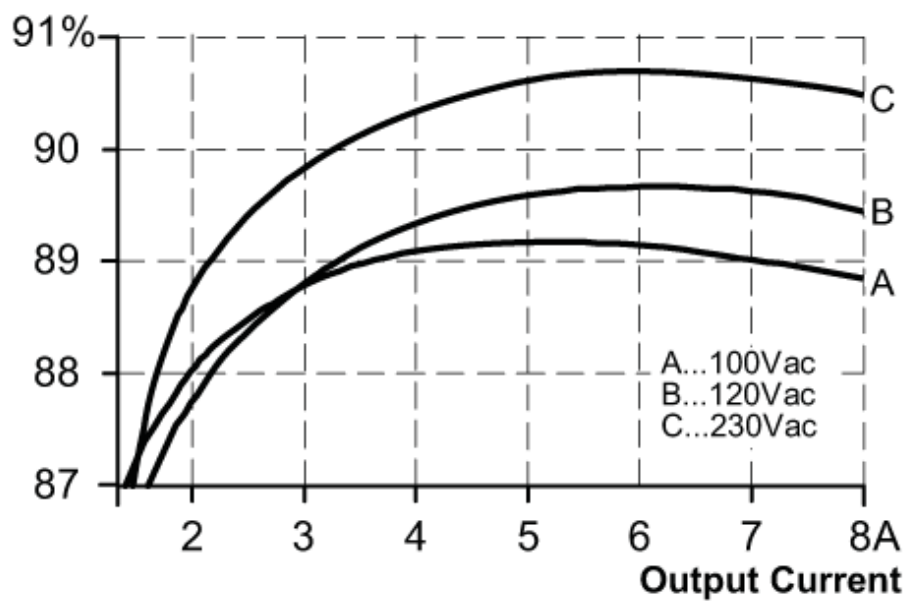
Output curve

Output Voltage



Characteristic curve for degree of efficiency / power loss

Efficiency



AC1258

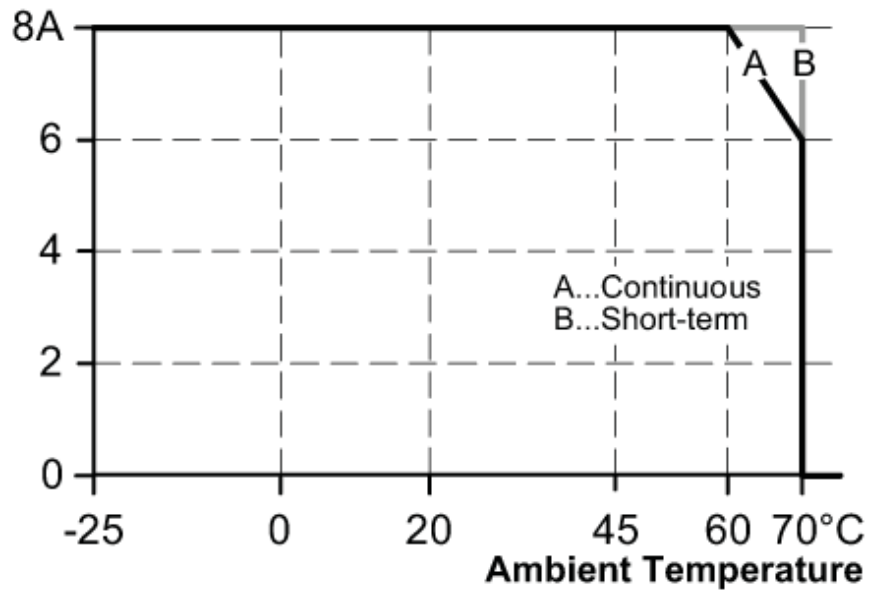
AS-Interface power supply

PSU-1AC/ASi-8A



Characteristic curve for derating

Allowed Output Current



Characteristic curve for mains buffering time

Hold-up Time

