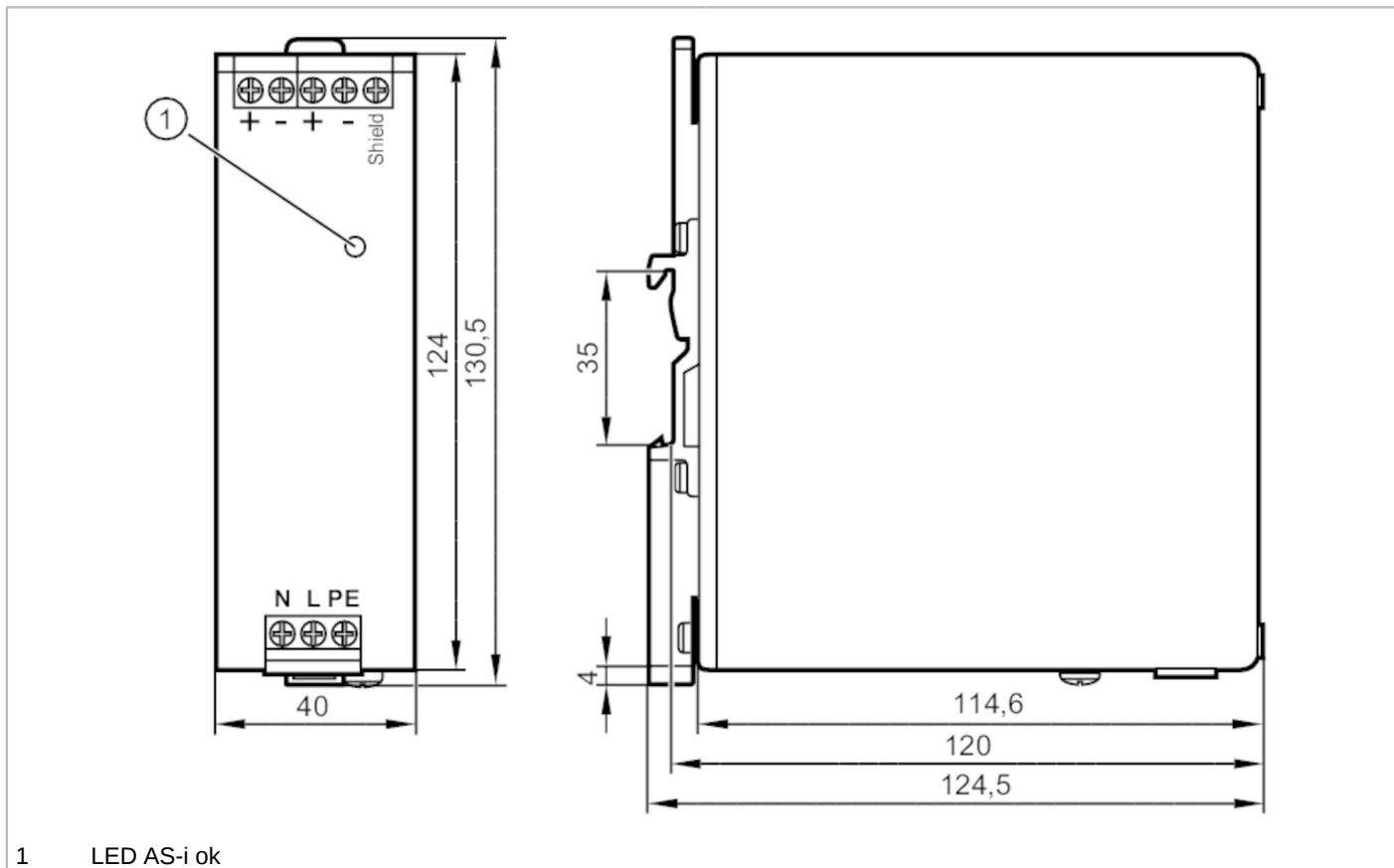


# AC1256



## AS-Interface power supply

PSU-1AC/ASi-2,8A



1 LED AS-i ok



Electrical data	
Frequency AC	[Hz] 47...64
Operating voltage tolerance	[%] 10
Operating voltage	[V] automatic range selection
Nominal voltage AC	[V] 110 / 230
Input voltage range AC	[V] 100...120 / 200...240
Protection class	I
Oversvoltage protection	yes; (< 36 V)
Max. power-on delay time	[ms] 900
Output voltage AS-i	[V] 30.5; (to PELV; NEC Class II)
Output power (permanent)	[W] 85
Power factor (nominal voltage 120 V AC / 60 Hz)	0.56
Power factor (nominal voltage 230 V AC / 50 Hz)	0.47
Number of output circuits	1
Output current AS-i	[A] 2.8
Max. residual ripple	[mV] 50
Switch-on peak current (nominal voltage 120 V AC / 60 Hz)	[A] 3

# AC1256



## AS-Interface power supply

PSU-1AC/ASi-2,8A

Switch-on peak current (nominal voltage 230 V AC / 50 Hz)	[A]	3
Inrush current limitation		yes
Efficiency (nominal voltage 120 V AC / 60 Hz)	[%]	86.9
Efficiency (nominal voltage 230 V AC / 50 Hz)	[%]	88
External input protection		≤ B-10 A / ≤ C-6 A
Derating	[W/K]	0 (60...70 °C)
Mains buffering time (nominal voltage 120 V AC / 60 Hz)	[ms]	98
Mains buffering time (nominal voltage 230 V AC / 50 Hz)	[ms]	96
Input current (nominal voltage 120 V AC / 60 Hz)	[A]	1.44
Input current (nominal voltage 230 V AC / 50 Hz)	[A]	0.86
Power loss (nominal voltage 120 V AC / 60 Hz)	[W]	12.9
Power loss (nominal voltage 230 V AC / 50 Hz)	[W]	11.6
Integrated data decoupling		yes
Back feeding protection	[V]	35

Outputs		
Short-circuit proof		yes
Overload protection		yes
Overload performance		constant output current
Parallel connection of outputs possible		no
Series connection of outputs possible		no

Operating conditions		
Ambient temperature	[°C]	-25...70
Note on ambient temperature		observe the free space for convection (see operating instructions)
Storage temperature	[°C]	-40...85
Max. relative air humidity	[%]	95; (IEC 60068-2-30)
Protection		IP 20
Degree of soiling		2; (IEC 62103: conductive soiling not permitted)

Tests / approvals		
EMC	EN 61000-6-1	
	EN 61000-6-2	
	EN 61000-6-4	
Vibration resistance	IEC 60068-2-6	± 1,6 mm 2...17,8 Hz / 2 g 17,8...500 Hz
Shock resistance	IEC 60068-2-27	30 g 6 ms / 20 g 11 ms

AS-i classification		
AS-i certificate		98701

Mechanical data		
Weight	[g]	625

# AC1256



## AS-Interface power supply

PSU-1AC/ASi-2,8A

Type of mounting	rail; (TH35 (EN 60715))		
Dimensions [mm]	124 x 40 x 120		
Material	steel sheet		

### Displays / operating elements

Display	AS-i voltage	LED, green
---------	--------------	------------

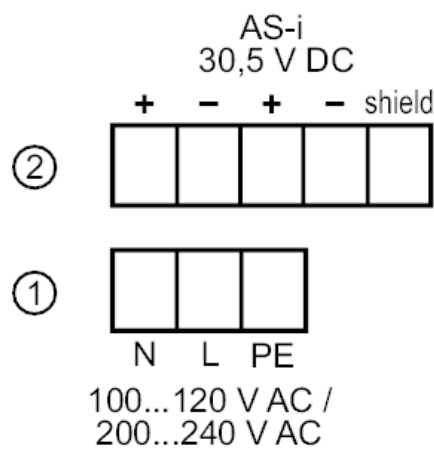
### Remarks

Pack quantity	1 pcs.		
---------------	--------	--	--

### Electrical connection

screw terminals:

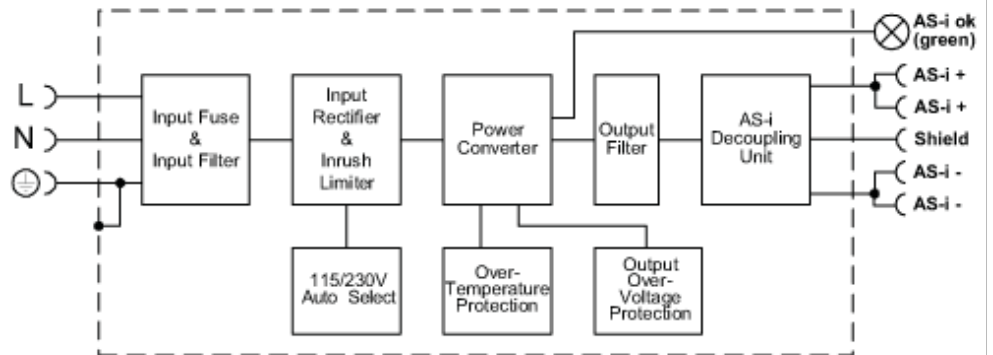
### Connection



- 1: primary
- 2: secondary

### Diagrams and graphs

Block diagram



# AC1256

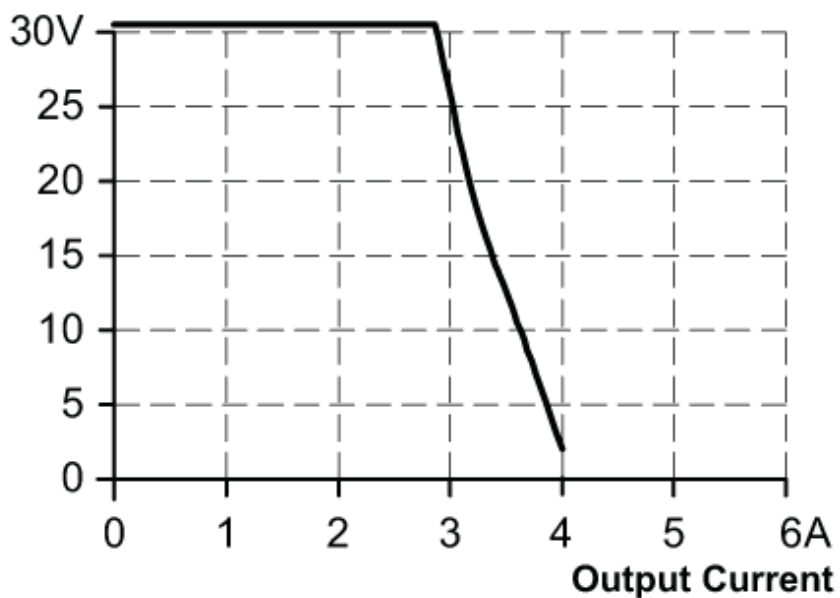


## AS-Interface power supply

PSU-1AC/ASi-2,8A

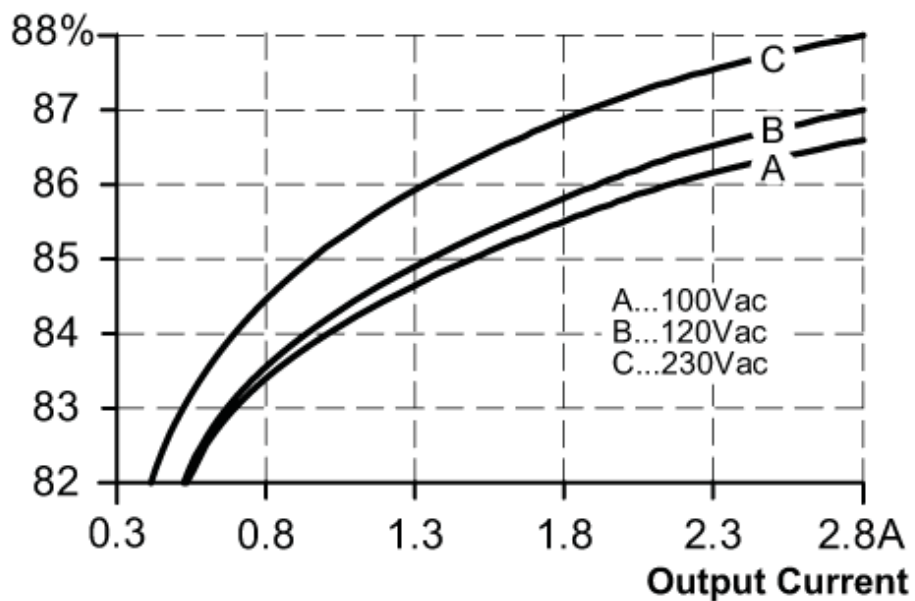
Output curve

### Output Voltage



Characteristic curve for degree of efficiency / power loss

### Efficiency



# AC1256

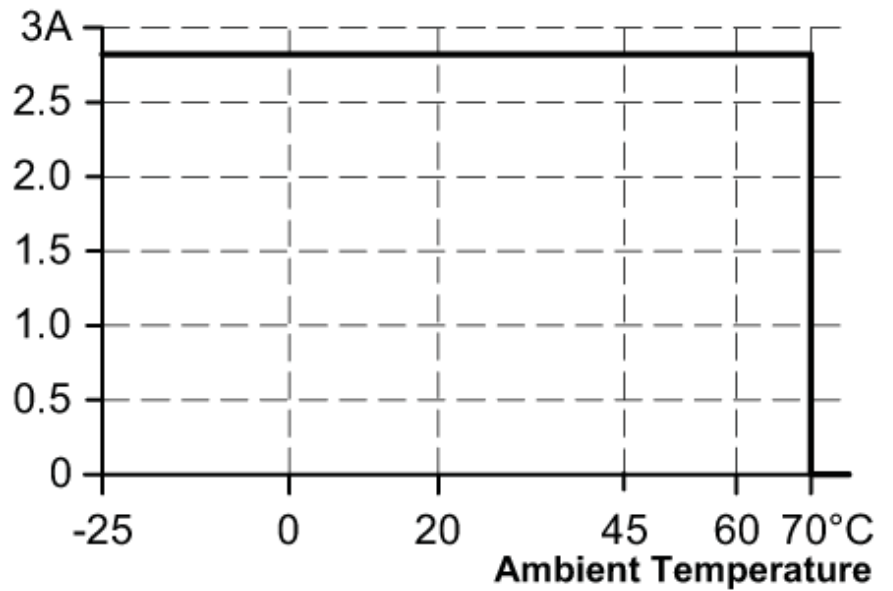


## AS-Interface power supply

PSU-1AC/ASi-2,8A

Characteristic curve for derating

### Allowed Output Current



Characteristic curve for mains buffering time

### Hold-up Time

