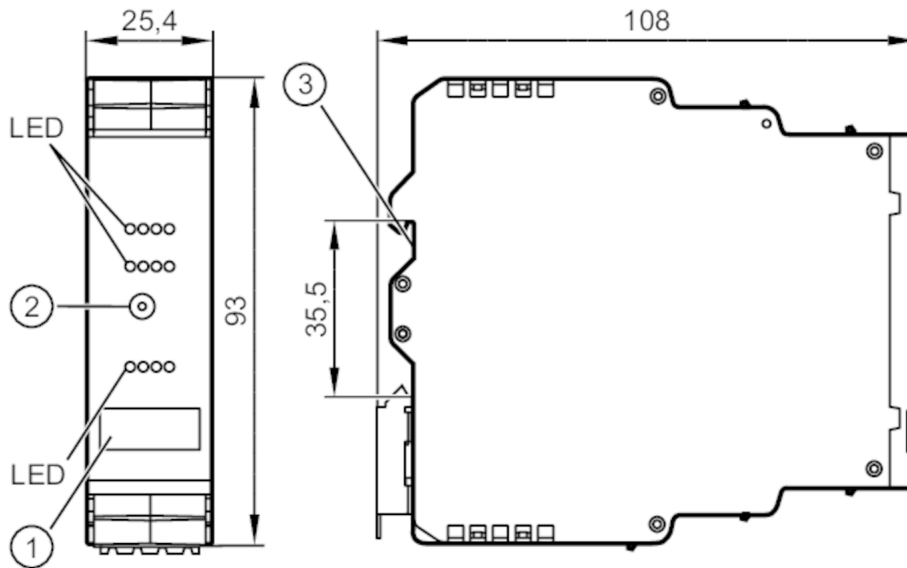


AC009S



AS-Interface control cabinet module

SmartLine SafetyModul



- 1 panel for labelling
- 2 Addressing socket
- 3 DIN rail adapter



| Application | |
|--|---|
| Application | I/O modules for control cabinet installations |
| Electrical data | |
| Operating voltage [V] | 26.5...31.6 DC |
| Max. current consumption from AS-i [mA] | 250 |
| Max. current load total [A] | 6; (resistive load) |
| Integrated watchdog | yes |
| Inputs / outputs | |
| Number of inputs and outputs | Number of digital inputs: 2; Number of relay outputs: 2 |
| Inputs | |
| Number of digital inputs | 2; (2 x Sicherheitseingang) |
| Input circuit of digital inputs | PNP; (DC) |
| Sensor supply of the inputs | AS-i |
| Max. total current rating of inputs [mA] | 100 |
| Input current High [mA] | 10 |
| Short-circuit protection digital inputs | yes |



AS-Interface control cabinet module

SmartLine SafetyModul

| Outputs | | | | | | |
|---|-------|---|------|------|------|------|
| Voltage range DC | [V] | 24; (The outputs O3 + O4 must be supplied in pairs with the same voltage. 2 x 24 V DC) | | | | |
| Voltage range AC | [V] | 10...240; (The outputs O3 + O4 must be supplied in pairs with the same voltage. 2 x 240 V AC) | | | | |
| Max. current load per output | [mA] | 6000; (resistive load) | | | | |
| Number of relay outputs | | 2 | | | | |
| Short-circuit proof | | no | | | | |
| Electrically separated | | yes | | | | |
| Operating conditions | | | | | | |
| Ambient temperature | [°C] | -25...50 | | | | |
| Storage temperature | [°C] | < 80 | | | | |
| Max. relative air humidity | [%] | 80; (non condensing) | | | | |
| Max. height above sea level | [m] | 2000 | | | | |
| Protection | | IP 20 | | | | |
| Degree of soiling | | 2 | | | | |
| Tests / approvals | | | | | | |
| EMC | | EN 61000-6-2 | | | | |
| | | EN 62026-2 | | | | |
| | | EN 61326-3-1 | | | | |
| | | EN 61000-6-4 | | | | |
| Standard | | EN 61010-1; EN 13849-1; EN 63000 | | | | |
| Safety classification | | | | | | |
| Complies with the requirements | | ISO 13849-1 Category 4, PL e | | | | |
| | | IEC 61508 SIL 3 | | | | |
| Mission time TM | [h] | 175200 | | | | |
| Mission time TM (additional indication) | | 20 years | | | | |
| PFH | [1/h] | 4E-09 | | | | |
| AS-i classification | | | | | | |
| AS-i version | | 2.11; 3.0 | | | | |
| AS-i addressing | | Addressing socket | | | | |
| Extended addressing mode | | no | | | | |
| AS-i profile | | S-7.B.E | | | | |
| AS-i I/O configuration | [hex] | 7 | | | | |
| AS-i ID code | [hex] | B.E | | | | |
| AS-i certificate | | 62001 | | | | |
| Data bits | | Data bit | D0 | D1 | D2 | D3 |
| | | Input | SI-1 | SI-1 | SI-2 | SI-2 |
| | | Output | O-1 | O-2 | O-3 | O-4 |
| Mechanical data | | | | | | |
| Weight | [g] | 216.5 | | | | |
| Type of mounting | | Mounting on DIN rail | | | | |
| Material | | PC-GF20 | | | | |

AC009S



AS-Interface control cabinet module

SmartLine SafetyModul

| Displays / operating elements | | |
|------------------------------------|------------------|--------------------------------|
| Display | Switching status | LED, yellow S11...S12, O3...O4 |
| | Power | LED, green AS-i |
| | errors | LED, red ERR O1...O2 |
| Remarks | | |
| Pack quantity | | 1 pcs. |
| Electrical connection | | |
| pin headers: 4 x ; Spacing: 5.0 mm | | |

Connection

