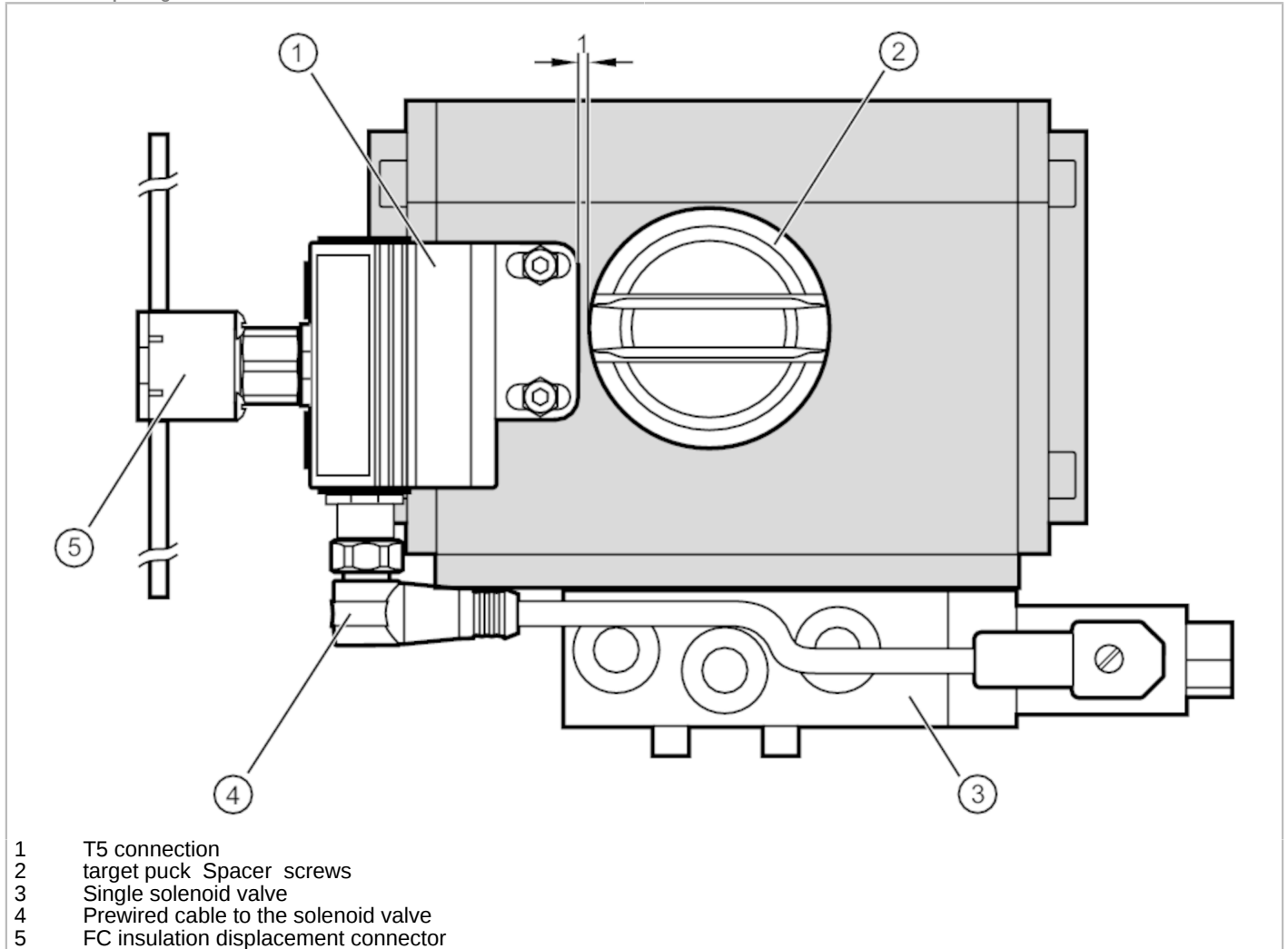




AS-Interface value-added automation set for pneumatic quarter-turn actuators

Added Value package AS-i T5



Product characteristics	
Output function	PNP
Sensing range [mm]	4
Electrical data	
Max. current consumption from AS-i [mA]	160
Operating voltage AUX DC [V]	26.5...31.6; (cULus - Class 2 source required)
Inputs / outputs	
Number of inputs and outputs	Number of digital inputs: 2; Number of digital outputs: 1
Inputs	
Number of digital inputs	2
Outputs	
Number of digital outputs	1
Output function	PNP
Monitoring range	
Sensing range [mm]	4
AS-i classification	
AS-i version	2.1

AC0019



AS-Interface value-added automation set for pneumatic quarter-turn actuators

Added Value package AS-i T5

AS-i profile		S-7.A.E
AS-i I/O configuration	[hex]	7
AS-i ID code	[hex]	A.E

Mechanical data

Weight	[g]	853.5
Mounting		non-flush mountable
Hole spacing	[mm]	80
Shaft height of actuator stem	[mm]	30

Accessories

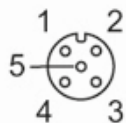
Items supplied	Dual sensor for actuator feedback: 1, AC2316
	Target puck: 1, E12517
	Single solenoid valve: 1, Bürkert 428623
	Silencer: 2, 780780N
	Connection cable: 1, E10844
Flat cable insulation displacement connector: 1, E75471	

Remarks

Pack quantity	1 pcs.
---------------	--------

Electrical connection

Electrical connection - Socket



Outputs

3	External voltage -
4	Switching output 1 +

Electrical connection - plug



Connection

Connection

1	AS-i +
3	AS-i -