

## DS-2CE57U1T-VPITF 8 MP Dome Camera



- 8 MP dome camera
- EXIR 2.0: advanced infrared technology with 30 m IR distance
- Water and dust resistant (IP67) and vandal proof (IK10)
- 4 in 1 (4 signals switchable TVI/AHD/CVI/CVBS)

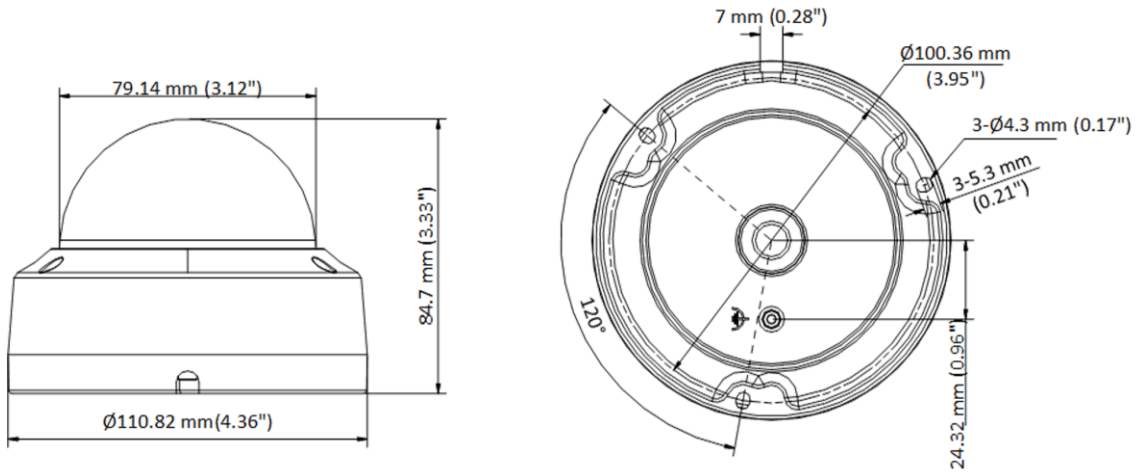
## ▪ Specification

Camera	
Image Sensor	8.29 megapixel progressive scan CMOS
Max. Resolution	3840 (H) × 2160 (V)
Min. Illumination	Color: 0.01 Lux@(F2.0, AGC ON), 0 Lux with IR
Shutter Time	PAL: 1/12.5 s to 1/50,000 s NTSC: 1/15 s to 1/50,000 s
Day & Night	IR cut filter
Angle Adjustment	Pan: 0° to 355°, Tilt: 0° to 75°, Rotate: 0° to 355°
Signal System	PAL/NTSC
Lens	
Lens Type	2.8 mm, 3.6 mm, 6 mm fixed focal lens
Focal Length & FOV	Horizontal FOV: 102.2° (2.8 mm), 79° (3.6 mm), 50.8° (6 mm)
Lens Mount	M16
Illuminator	
Supplement Light Type	IR
Supplement Light Range	Up to 30 m
Smart Supplement Light	Yes
Image	
Image Settings	Brightness, Mirror, Sharpness, AGC
Frame Rate	TVI: 8MP@12.5fps, 8MP@15fps, 5MP@20fps, 4MP@25fps, 4MP@30fps, 2MP@25fps, 2MP@30fps CVI: 8MP@12.5fps, 8MP@15fps AHD: 8MP@12.5fps, 8M@15fps CVBS: 960H P/N
Day/Night Mode	Auto/Color/BW (Black and White)
Wide Dynamic Range (WDR)	Digital WDR
Image Enhancement	BLC, HLC
Noise Reduction	2D DNR
White Balance	Auto/Manual
Interface	
Video Output	Switchable TVI/AHD/CVI/CVBS, 1 HD analog output
General	
Power	12 VDC ±25%, max. 5.3 W *You are recommended to use one power adapter to supply the power for one camera.
Material	Metal
Dimension	Φ 110.8 mm × 84.7 mm (Φ 4.4" × 3.3")
Weight	Approx. 495 g (1.09 lb.)
Operating Condition	-40 °C to 60 °C (-40 °F to 140 °F), humidity: 90% or less (non-condensation)
Communication	HIKVISION-C
Language	English
Approval	
Protection	IP67, IK10

▪ **Available Model**






DS-2CE57U1T-VPITF

▪ **Dimension**



▪ **Accessory**

▪ **Optional**

DS-1272ZJ-110B Wall Mount	DS-1258ZJ Wall Mount	DS-1272ZJ-110 Wall Mount	DS-1271ZJ-110 Pendant Mount	DS-1275ZJ-SUS Vertical Pole Mount
				
<p><b>DS-1280ZJ-DM18</b> Junction Box</p>	<p><b>DS-1259ZJ</b> Inclined Ceiling Mount</p>			



**Headquarters**

No.555 Qianmo Road, Binjiang District,  
Hangzhou 310051, China  
T +86-571-8807-5998  
www.hikvision.com



Follow us on social media to get the latest product and solution information.

