

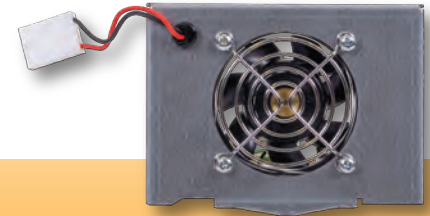
# PWB-320XL / 323XL

## Extra Large Wall Boxes



**NEW  
LONGER  
VERSION!**

(Shown with optional  
equipment installed)



Optional PWB Cooling  
Fan Available

### DESCRIPTION

The PWB-320XL / 323XL Wall Boxes are longer versions of the PWB-320/323 Wall Boxes. These boxes are designed to fit 16" or 24" on center stud bays. AV & IT installations are simplified by providing ample space for routing cables, AC connections, & digital media product mounting in 3" (PWB-323XL) or 4" (PWB-320XL) thick walls.

The PWB-32xXL-TRK kit includes all of the above features plus a powder coated trim ring for dressing the dry-wall opening. This rounded trim ring provides a generous 7/8" overlap.

The PWB-32xXL-ESK kit includes the TRK features and an internal shelving system. Two adjustable shelves include a hole pattern that allows for any screw spacing from 3/8" to 1 1/4" including multiple VESA 100 hole pattern locations.

The PWB-32xXL-CV is an optional powder coated cover with rounded cable exits. The vented cover mounts to the trim ring with four tool-less snap fasteners to allow quick access to the equipment inside.

The PWB-320XL has up to 2" KO's and up to 1 1/4" KO's on the PWB-323XL. Both sizes include flush cable-tie mounts, 4 triple play mounting solution openings for AC/AV/IT applications and three optional adjustable locking shelves for mounting equipment. There are also three optional internal AC brackets available with 2, 3 or 4 Decora openings that include SpikeShield™ 15-amp receptacles. These infrastructure solutions can be installed with or without the decorative trim ring and cover options. The PWB-320-FAN is a variable speed temperature controlled fan option, designed to maintain an internal box temperature below 40°C with a 100 watt thermal load keeping internal equipment at a safe temperature.

### APPLICATIONS

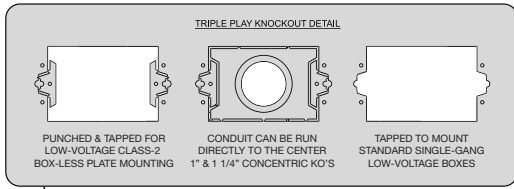
- Digital Signage
- Hospitals
- Conference Centers
- Schools
- Airports
- Command Centers
- Electronic Billboards
- Museums
- Arenas

### FEATURES

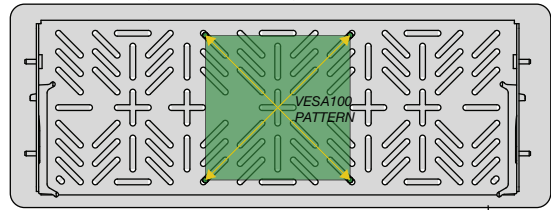
- Mounts to wood or steel studs, 16" or 24" on center
- No extra parts needed for new or old work installations
- Can be ordered individually or in 3 different kits
- Optional painted cover with cable exits and tool-less fasteners
- Up to 2" KO on PWB-320XL
- Up to 1 1/4" KO on PWB-323XL
- 12 Flush cable-tie mounts
- 4 Triple Play Mounting Solution openings per box
- 4 ground screw locations
- Optional Cover and Trim Ring available separately
- Optional (3) adjustable component shelves with position lock
- Optional AC power brackets with 15-amp surge protected receptacles
- Optional thermostat controlled variable speed fan

# FEATURES / DETAILS

## TRIPLE PLAY KNOCKOUT SYSTEM



## VESA 100 MOUNTING PATTERN



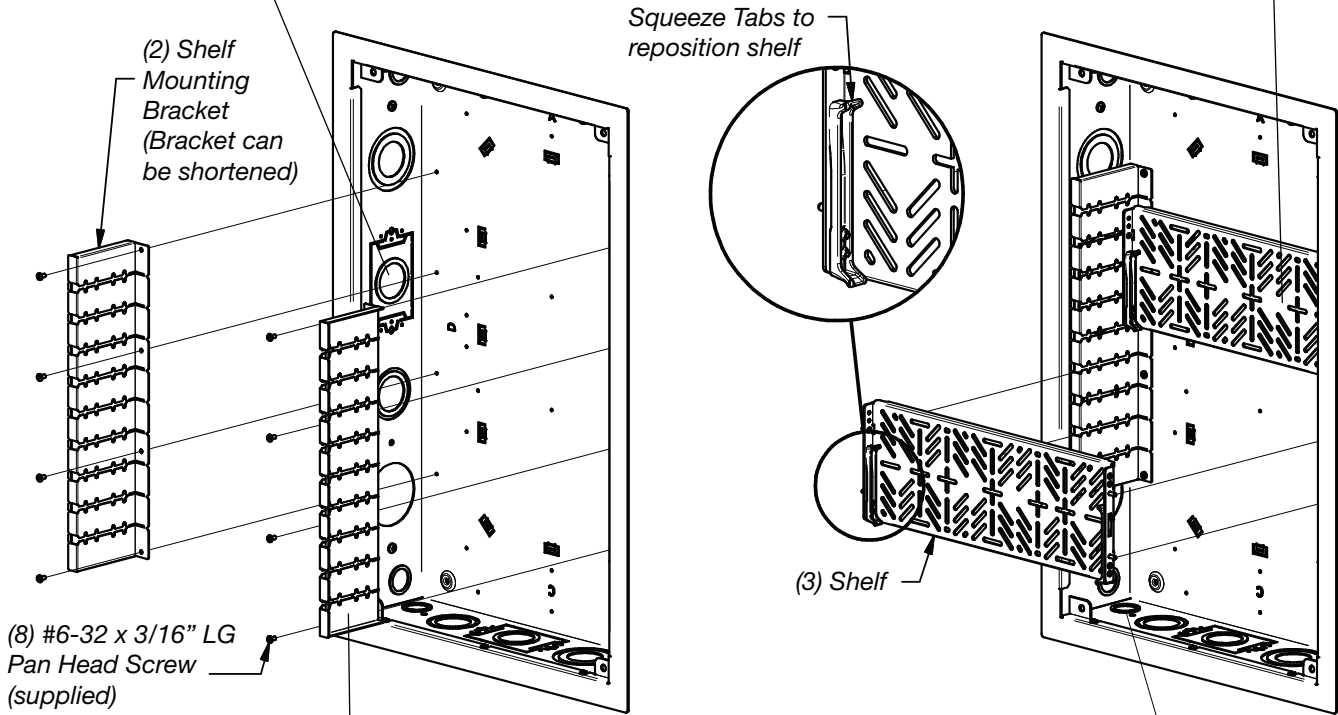
FSR PWB boxes are punched in four locations with FSR's Triple Play Mounting Solution which provides three different options for mounting conduit, cabling, plates, and back boxes to our wall boxes.

FSR's patent-pending Triple Play Mounting Solutions:

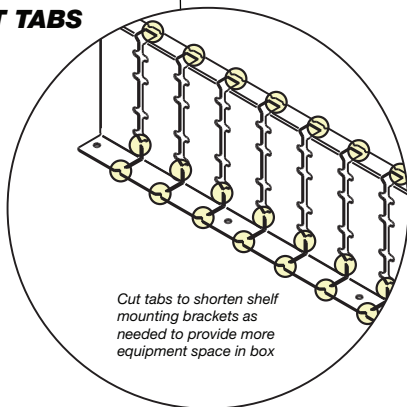
1. Conduit can be run directly to the Center 1" & 1 1/4" Concentric Knock Out
2. Punched & Tapped for Low-voltage Class-2 box-less plate mounting
3. Tapped to mount standard single gang low-voltage boxes

## SHELVING FEATURES

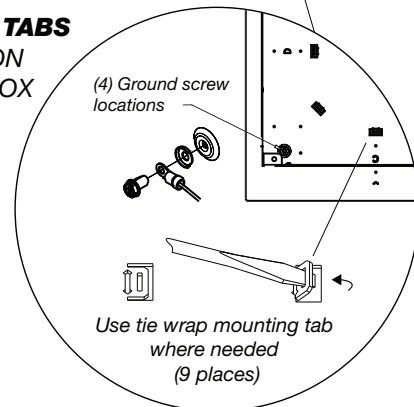
Shelving location and depth can be adjusted as well as mounted in horizontal or vertical orientation



## CUT TABS



## TIE WRAP TABS LOCATED ON BACK OF BOX

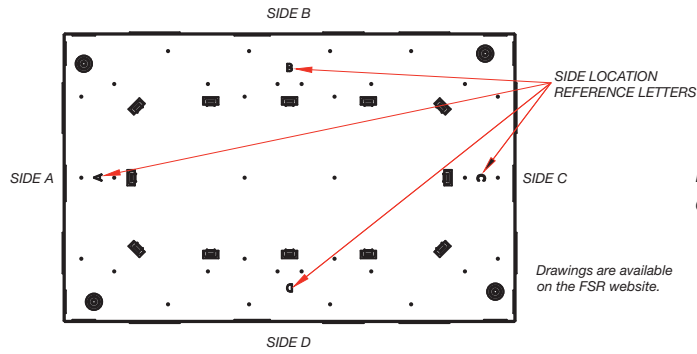


Drawings are available on the FSR website.

# DIMENSIONS / DETAILS

## BOX SIDE DETAILS

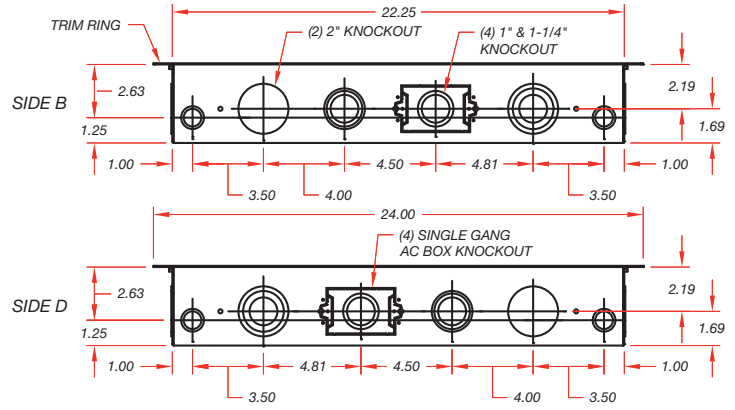
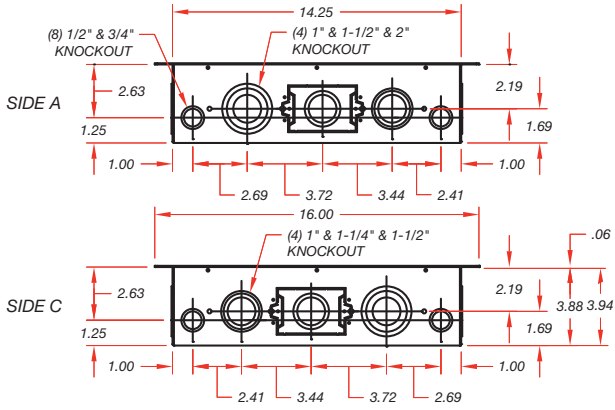
LETTERS (A, B, C & D) DENOTE THE SIDES OF THE BOX FOR REFERENCE



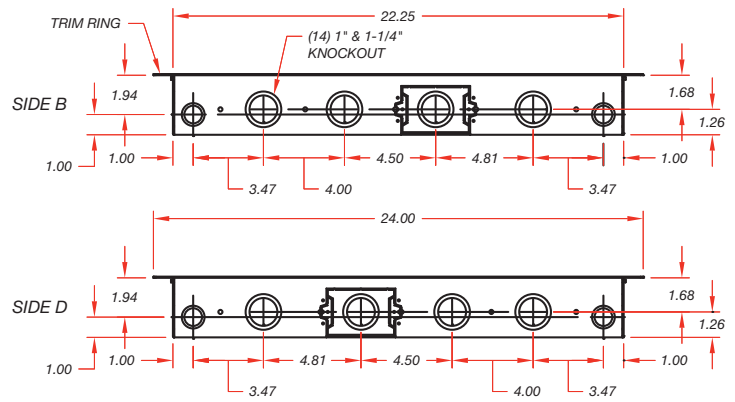
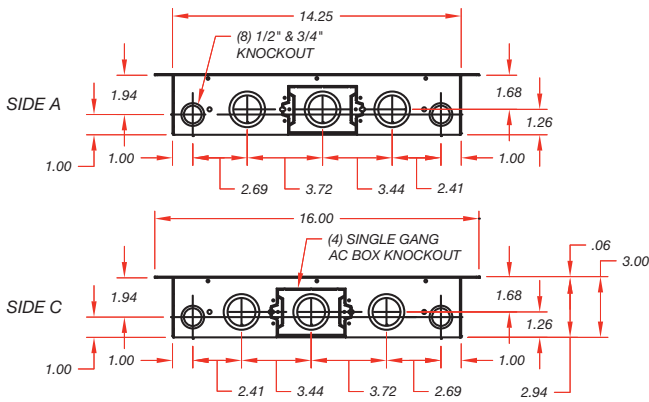
Drawings are available on the FSR website.

Drawings are available on the FSR website.

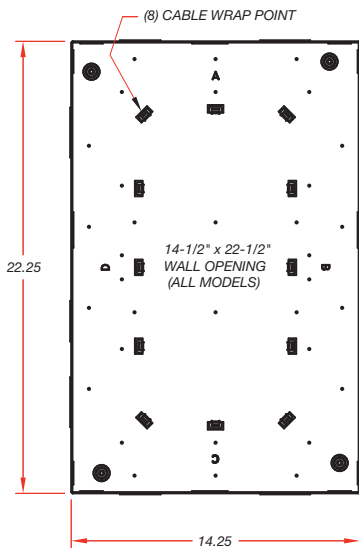
### PWB-320XL



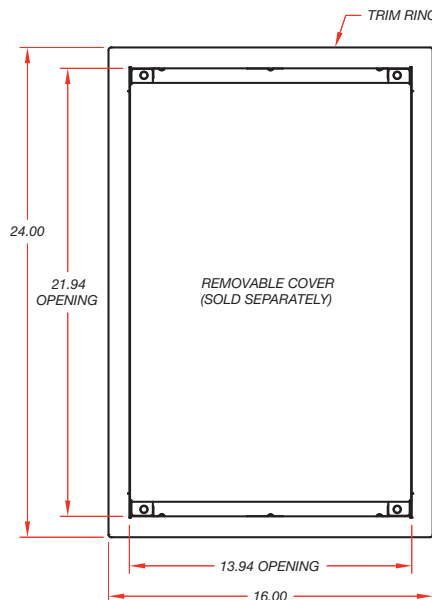
### PWB-323XL



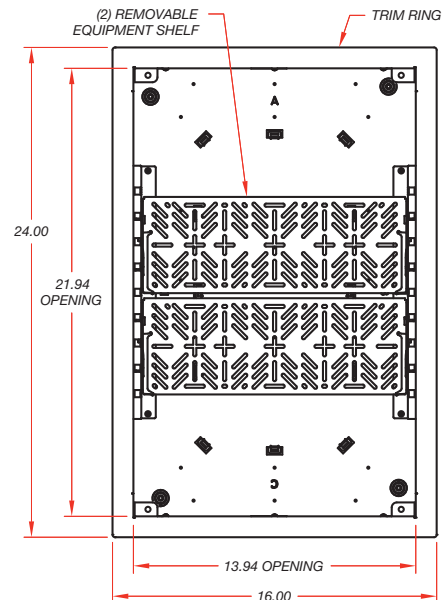
### PWB-320XL-BOX



### PWB-320XL-TRK

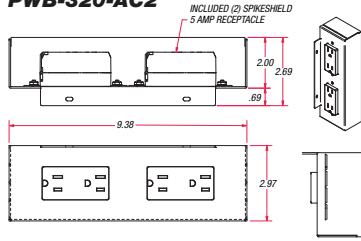


### PWB-320XL-ESK

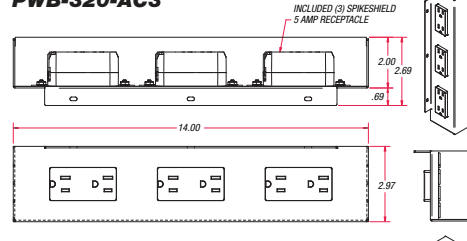


# AC POWER BRACKETS

## PWB-320-AC2

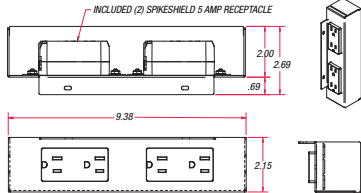


## PWB-320-AC3

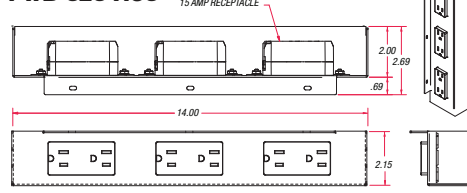


Drawings are available on the FSR website.

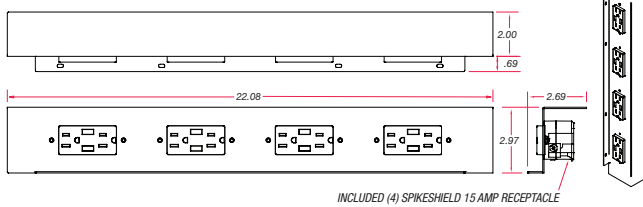
## PWB-323-AC2



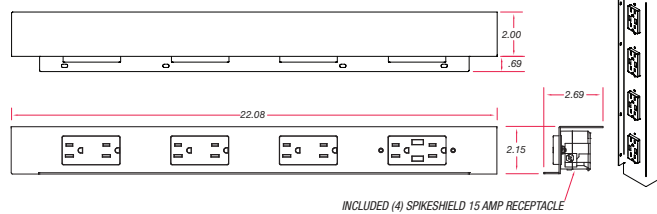
## PWB-323-AC3



## PWB-320XL-AC4

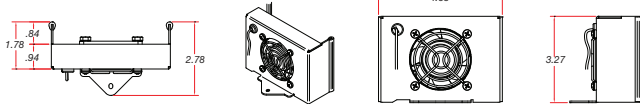


## PWB-323XL-AC4



# PWB COOLING FAN

## PWB-320-FAN



# ORDERING TABLE

Item #	Model #	Description
18100	PWB-320XL-BX	4" Wall Box Only
18114	PWB-323XL-BX	3" Wall Box Only
18101	PWB-320XL-TRK	4" Wall Box + Trim Ring
18115	PWB-323XL-TRK	3" Wall Box + Trim Ring
18102	PWB-320XL-ESK	4" Wall Box, Trim Ring, Shelves
18116	PWB-323XL-ESK	3" Wall Box, Trim Ring, Shelves
18103	PWB-320XL-TR	Trim Ring for 3" or 4" Box
18104	PWB-320XL-CV	Cover for 3" or 4" Box
18009	PWB-320-AC2	Bracket with two 15A SPIKESHIELD™ duplex Outlets for 4" Box
18014	PWB-323-AC2	Bracket with two 15A SPIKESHIELD™ duplex Outlets for 3" Box
18010	PWB-320-AC3	Bracket with three 15A SPIKESHIELD™ duplex Outlets for 4" Box
18015	PWB-323-AC3	Bracket with three 15A SPIKESHIELD™ duplex Outlets for 3" Box
18105	PWB-320XL-AC4	Bracket with four 15A SPIKESHIELD™ duplex Outlets for 4" Box
18117	PWB-323XL-AC4	Bracket with four 15A SPIKESHIELD™ duplex Outlets for 3" Box
18113	PWB-320XL-SMK	Triple Shelf Kit for 4" Box
18118	PWB-323XL-SMK	Triple Shelf Kit for 3" Box
18366	PWB-320-FAN	Fan option for use with PWB-320 and PWB-320XL boxes