

PCI-5 Series

Computer Interface Wallplate

FSR

Video Products Group

PCI-5 Series



DESCRIPTION

PCI-5BWPA

The PCI-5BWPA is a high-resolution passive computer video and stereo audio interface single gang wall plate. It interconnects an HD-15 female connector mounted on the wall plate face to a 5 BNC female cable array. The audio source enters through a mini stereo plug, is transformer balanced, and outputs on screw down terminal blocks. The PCI-5BWPA is the perfect choice for any application that requires a convenient short distance connection point from your computer to your display.

All active CI-5 units are designed to precisely match the attenuation characteristics of FSR high resolution video cables. When used with FSR cables you can expect to achieve an unprecedented level of flatness in your video system. The Decora style faceplate color options are black or white. All units fit easily into any standard single gang box.

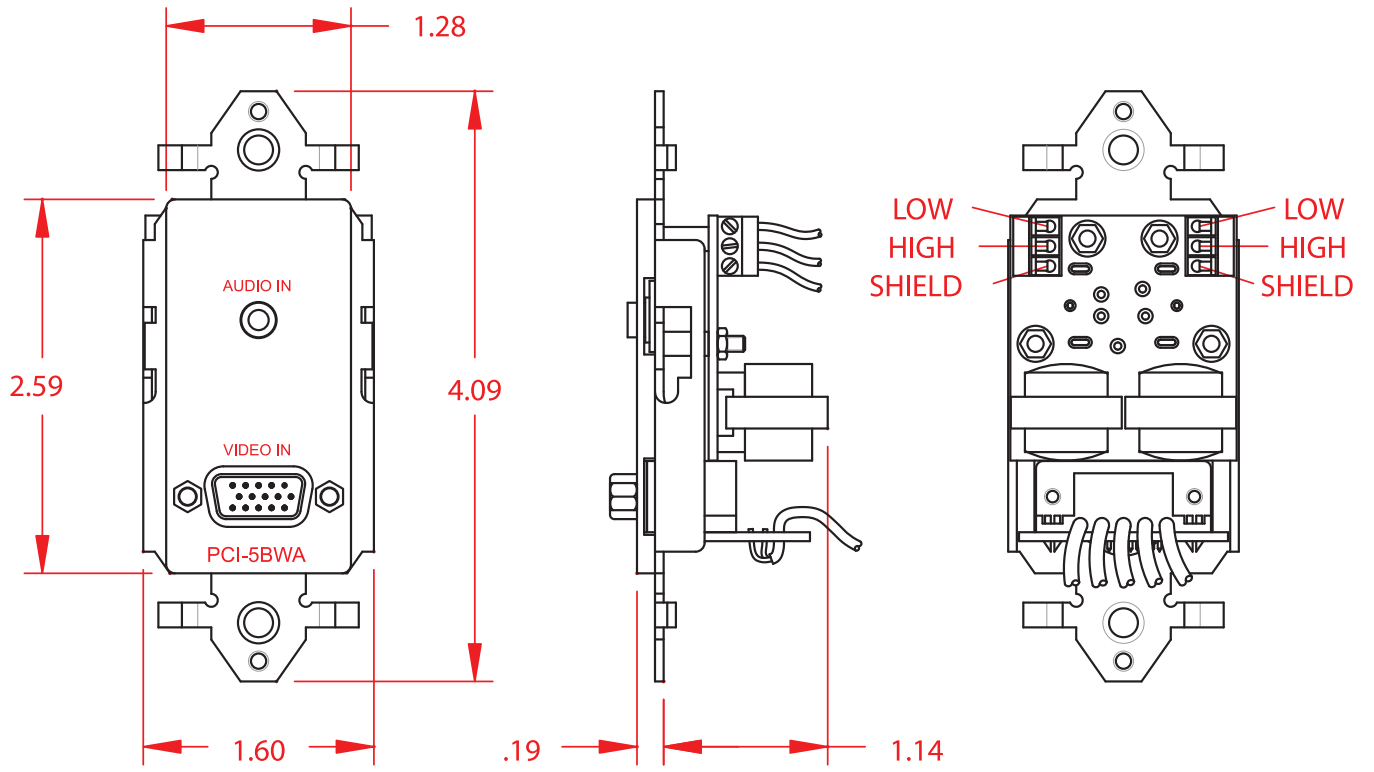
APPLICATIONS

- Boardrooms
- Education
- Training Rooms
- Rentals
- Staging Events
- Conference Centers
- Videoconferencing

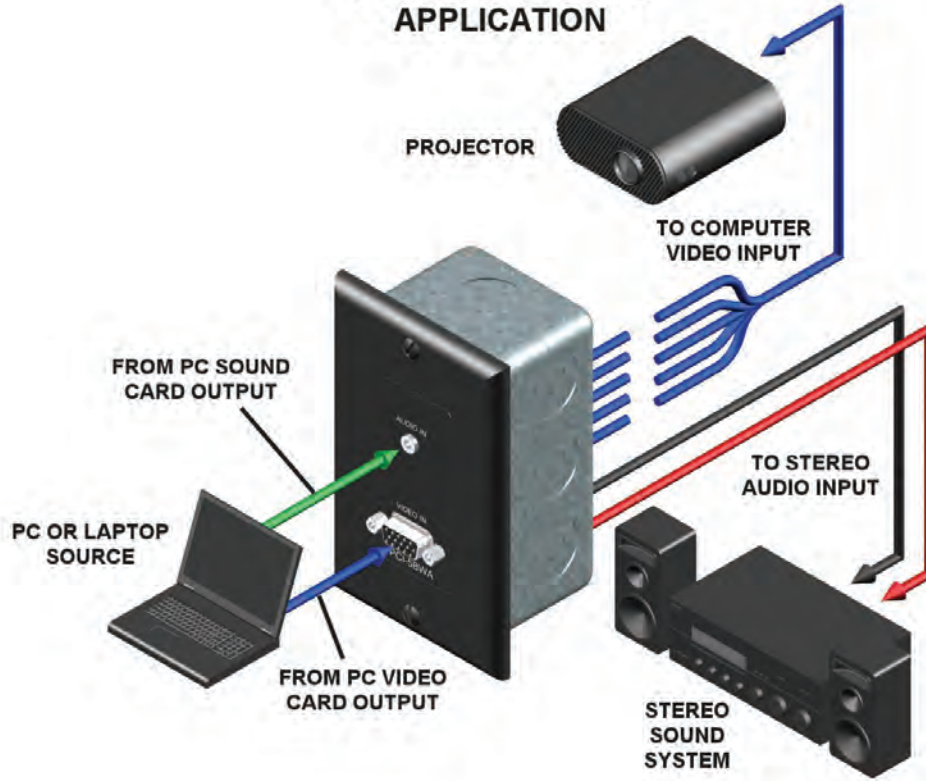
FEATURES

- Colors in Black or White
- Balanced Audio
- Fit Standard Single Gang Openings
- Low Profile
- Fits in FSR IPS and Smart Fit Enclosures

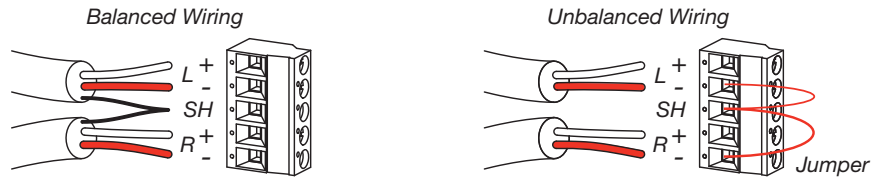
CI-5 SERIES DIMENSIONS



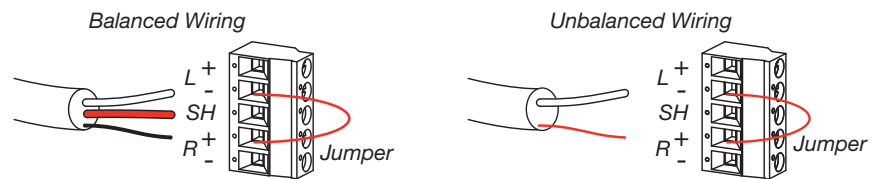
PCI-5BWA TYPICAL APPLICATION



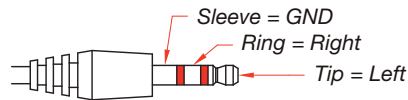
Output Connector Wiring



Mono Output Connector Wiring



Unbalanced Input Connector Pinout



TECHNICAL SPECIFICATIONS

VIDEO INPUT

Number/type: 1 VGA / SVGA / XGA / SXGA / UXGA / RGBHV / RGBS / RGsB / RsGsBs
Connectors: One 15 pin HD female
Level (nominal): Analog 0.7v p-p
Level (maximum): 2v p-p
Impedance: 75 ohms

VIDEO OUTPUT **PCI-5BWA (Passive)**

Maximum recommended cable length when using the passive PCI-5BWA is 50' depending on cable quality.

AUDIO

PCI-5BWA

Bandwidth: 100Hz to 15 kHz (+/-2dB)
THD + Noise: 0.5% between 275Hz-3.5 kHz
Noise Floor: NA
Stereo separation: -40dB @ 1 kHz
Audio Gain: +6dB

AUDIO INPUT

Number/type: 1 stereo unbalanced 1 stereo unbalanced
Connectors: 1/8" mini connector 1/8" mini connector
Impedance: 10K ohms DC coupled unbalanced 600 ohms
Max level: +6dBm +20dBm

AUDIO OUTPUT

Number/type: 1 Balanced / Unbalanced Stereo 1 Balanced / Unbalanced Stereo
Connector: 5 Position Captive screw terminal 2, 3 position captive screw terminals
Impedance: 50 ohm
Maximum Level: 600 ohms: +12dBm Balanced / +6dBm Unbalanced 600 ohms
Hi - Z: +14dBm Balanced / +8dBm Unbalanced +20dBm

SYNC

Input level: 2.0V to 5.0V p-p
Output level: TTL to 5.0V p-p
Input Impedance: 475 ohms
Output impedance: 75 ohms
Polarity: Positive or negative
Horizontal frequency: 15 kHz - 200 kHz
Vertical frequency: 30Hz - 150Hz

GENERAL

Power: CI-5 model: 12 VDC @ 0.09 A (included)
Mounting: Single - Gang Decora Wallplate (Included)
Colors: Black, White
Enclosure Type: Metal
Size: 4.094" H x 1.706" W x 0.65" D
Approvals: UL / CE