

# OWB Series

## "Weather Box" Series

### Surface Mount



### Flush Mount



# FSR

## Metal Products Group

OWB Wall Box



**The world's only outdoor wall boxes designed for AV and IT connections!**

Smaller sizes with & without windows available.  
Contact sales for ordering information.

## DESCRIPTION

The new OWB-X Outdoor Wall Box series is the latest addition to FSR's metal products line. Locking doors in white are standard with other color and style options available upon request. These stylish covers have "flip up" cable entry doors so that the main cover door can be locked once the cables are connected. Two box styles are available that will allow for either **FLUSH** "in wall" or **SURFACE** "on wall" mounting.

The enclosures are constructed in NEMA-4 style and with the integral door will meet the NEMA-3 and 3R ratings providing protection against falling dirt, rain, sleet and snow.

The back box is currently available with four different connector mounting configurations. The internal connector mounting styles handle standard gang plates, FSR's huge assortment IPS inserts, "XLR" type connectors or a blank plate is supplied for custom fabricating by the user.

The OWB-X-GNG "gang" style back box includes factory mounted moveable high voltage dividers so that compartments containing AC line power can be isolated from low voltage and signal areas. Multiple gang arrangements are accomplished with a combination of supplied moveable dividers and spacer/filler panels.

The OWB-X3-IPS and -XLR style back boxes have tapped holes on the connector mounting plates for easy connector mounting and are painted black.

The OWB-X3-PLT style has a blank mounting plate to be punched or drilled by the user per their requirements. The depth of the plate is field adjustable.

## FEATURES

- Safe, secure cable management
- Suitable for NEMA 3 and 3R outdoor use
- Low profile cover
- Locking cover door with key
- Surface or flush versions available
- Tapped connector mounting holes ease installation
- Custom door colors available (consult factory)
- IPS and XLR style connector plates are painted black and have room for customer provided ID name plate
- Large selection of models
- Blank plate models for custom mounting
- Equipped with a LITE-it

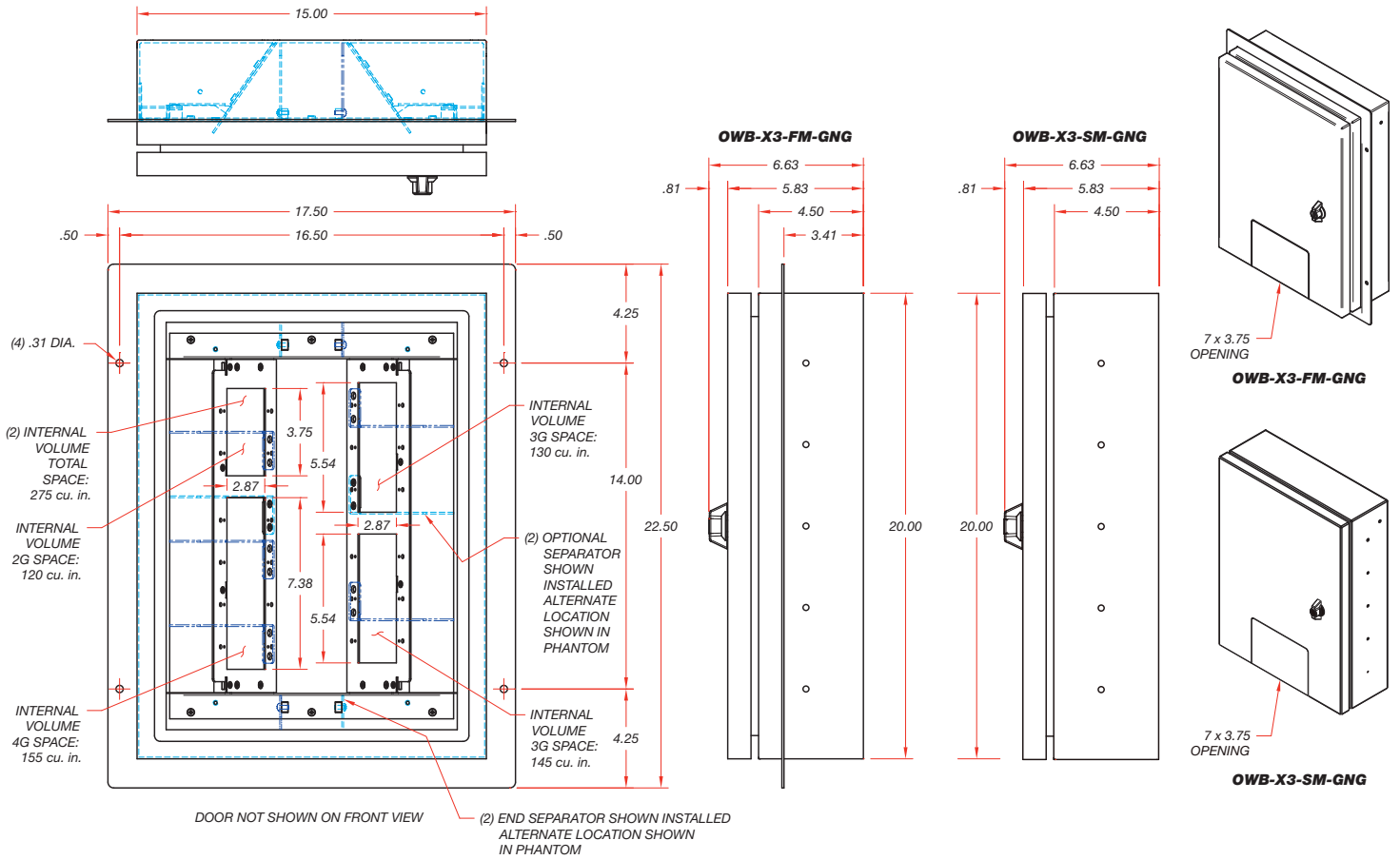
## APPLICATIONS

- Schools
- Hotels
- Conference Centers
- Airports
- Arenas
- Houses of Worship
- Residential
- Theme parks

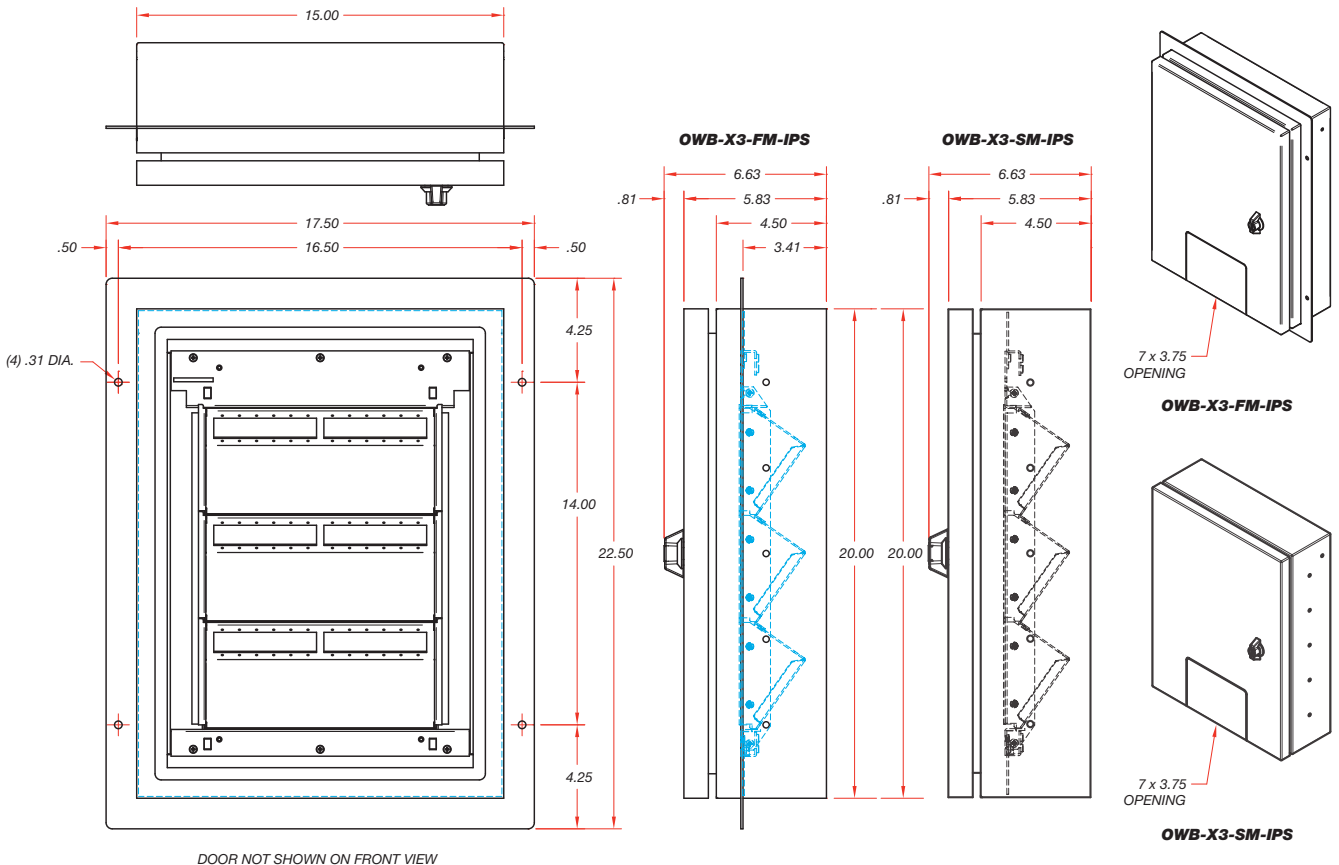
## CUSTOM OPTIONS

- Smaller sizes with display windows
- Lock options
- Depth
- Material
- Mounting
- Interior layout

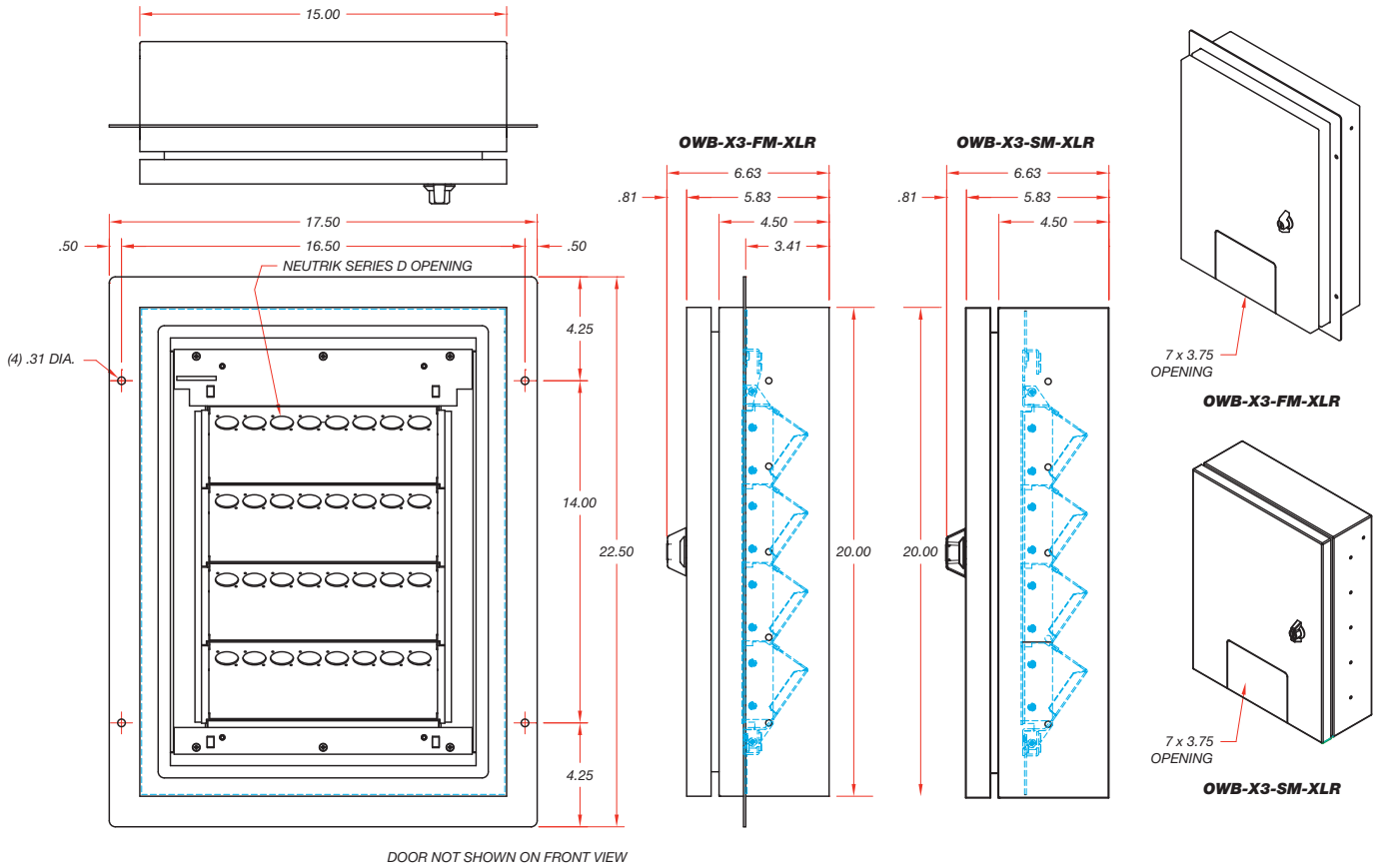
# OWB-X3-FM-GNG & OWB-X3-SM-GNG



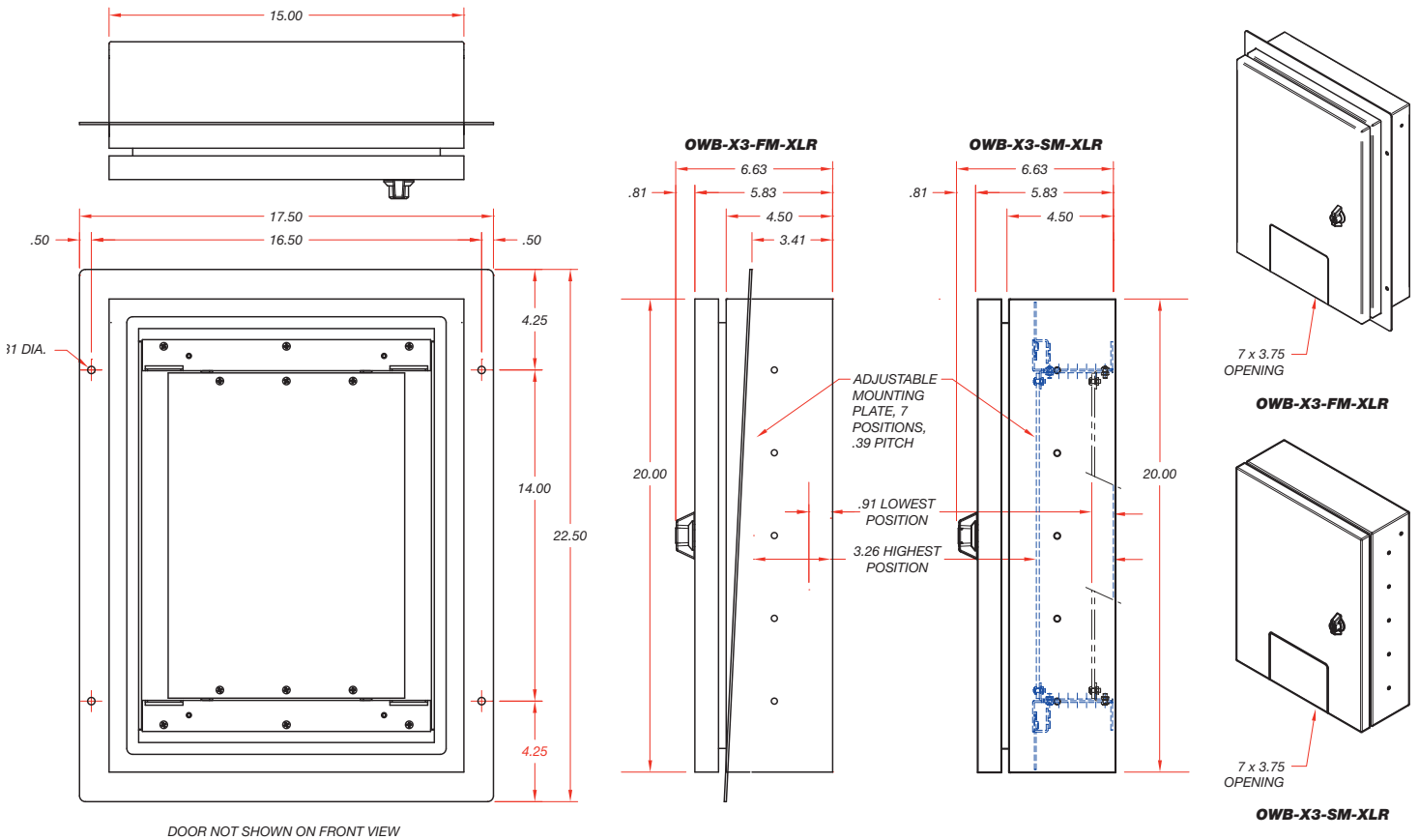
# OWB-X3-FM-IPS & OWB-X3-SM-IPS



# OWB-X3-FM-XLR & OWB-X3-SM-XLR



# OWB-X3-FM-PLT & OWB-X3-SM-PLT



## ORDERING INFORMATION

Ordering is simple: Specify the back box style and cover style desired using the table

### STOCK MODELS

OWB-X3-SM-GNG	Surface Mount Cover. Back Box with (2) 3 Gang and (1) 2 Gang & (1) 4 Gang openings in two rows
OWB-X3-FM-GNG	Flush Mount Cover. Back Box with (2) 3 Gang and (1) 2 Gang & (1) 4 Gang openings in two rows
OWB-X3-SM-IPS	Surface Mount Cover. Back Box with (36) IPS slots in 3 rows of 12
OWB-X3-FM-IPS	Flush Mount Cover. Back Box with (36) IPS slots in 3 rows of 12
OWB-X3-SM-XLR	Surface Mount Cover. Back Box with (32) XLR holes in 4 rows of eight
OWB- X3-FM-XLR	Flush Mount Cover. Back Box with (32) XLR holes in 4 rows of eight
OWB-X3-SM-PLT	Surface Mount Cover. Back Box with Blank Plate
OWB-X3-FM-PLT	Flush Mount Cover with Blank Plate.

Discuss your custom requirements with an FSR representative.

## OWB-500P CONFIGURABLE BOX

The 8" deep OWB-500P includes configurable internal brackets that provide many options for both high and low voltage standard gang openings, making it the most flexible and easiest to install wall box available.

The OWB-500P provides Safe, Secure Control Panel Mounting, Low Profile Cover, Locking Cover Door with Key, Blank Plates for custom mounting. Surface or Flush mounting kits available. See LIT1609 spec for more details.



The box contains two identical brackets and either side can be configured as shown using the included parts.

Plate Configuration 1-2



Plate Configuration 1-3



Plate Configuration 2-2

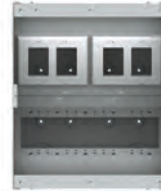


Plate Configuration 3-1



Plate Configuration 4



\*Decora plates shown for reference only.

## EQUIPPED WITH A LITE-IT



Every OWB-X is equipped with a LITE-it. This allows the user a safe assist when connecting in a dimly lit area.