

# MM-CLCKAUD

## Table Microphone Box



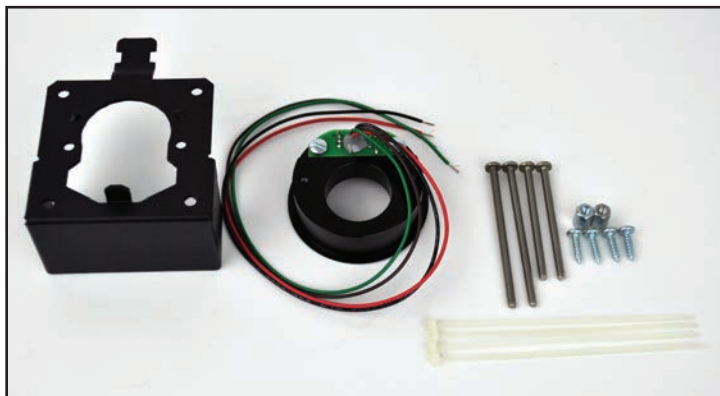
*Microphone not included.*

**Shown with Clockaudio™ C 003E-RF Microphone**

### DESCRIPTION

The MM-CLCKAUD-BLK is an elegant, low profile surface mount for most “Thru-table” boundary type microphones. The MM-CLCK includes a bi-color LED and SPST Switch to add status and muting/control functions to the microphone installation.

This attractive mount easily mounts into a 2” diameter hole in 3/4” to 3” thick table surfaces and can be installed in a table, wall, or ceiling panel. The unit is black anodized finished to complement most decors.



*Actual parts included*

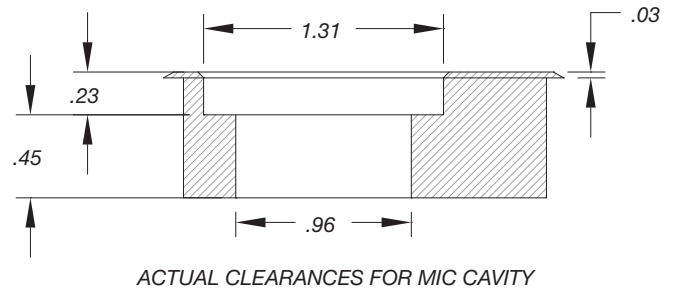
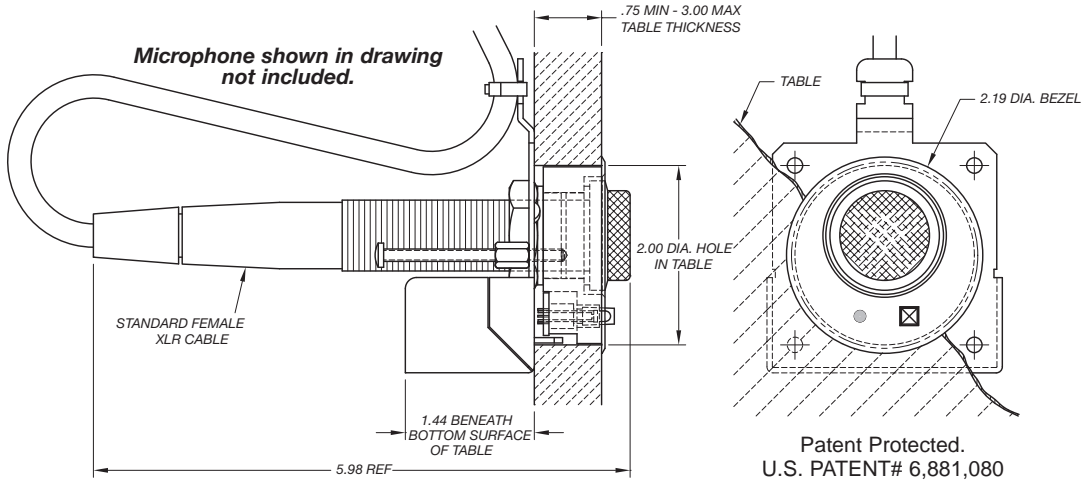
### APPLICATIONS

- Conference Rooms
- Lecterns and Podiums
- Altars
- Courtrooms
- Stages

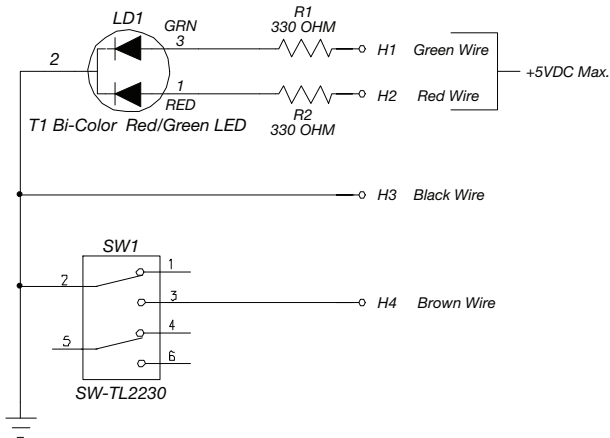
### FEATURES

- Adds Bi-color LED inputs and switch output capability provided on pigtail leads for status and remote control or use with automatic mixers
- Fits most “through the table” boundary microphones
- Unobtrusive, sleek low-profile design
- Durable black anodized finish
- Easy mounting in a variety of surface thicknesses

# TYPICAL ASSEMBLY



# WIRING DIAGRAM



## SIMILAR PRODUCTS:

FSR offers a variety of mini table boxes in many different styles and configurations. Please visit our document library or contact sales for individual spec sheets.



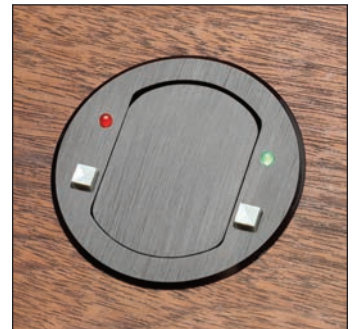
**T3-PC1SQ**



**T3-AC2**



**T3-MJ-1B**



**T3-MJ-2B**