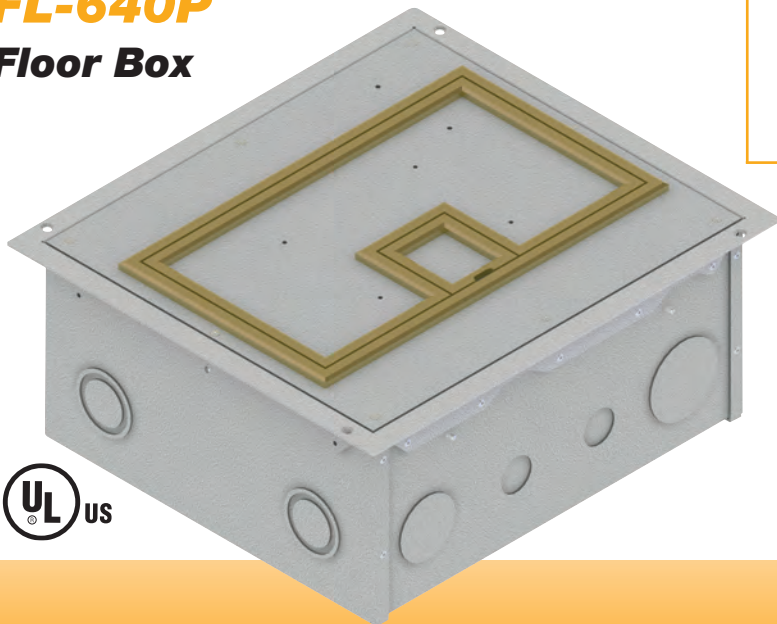


## FL-640P Floor Box



# FSR

## Metal Products Group

FL-640P Floor Box

- 11-gauge steel temporary construction cover included
- 11-gauge finished steel cover with choice of carpet edging
- Mitered brass or aluminum carpet edging .25" high
- Stainless steel compression latches on models with carpet flanges
- Lift-off full access door

### DESCRIPTION

The FL-640P floor box is designed for raised access floors. This floor box provides a practical solution for cable storage while maintaining easy access. The lift off section of the cover allows full access to the internal cables and connector plates. A smaller hinged trap door folds back to create the cable exit. Cables can be stored within the box when not in use, allowing unencumbered travel over the floor. The sturdy drop-in floor lip supports the unit and installs flush with the floor. The 1/4" carpet edging is available in brass or aluminum. Flat covers without flanges are also offered in black sandtex.

The innovation continues to the "transformable" back box. The FL-640P's internal brackets can be arranged to provide numerous options for both high and low voltage standard gang openings making it the most flexible and easiest to install floor box available. The 4" through 10" deep boxes are UL listed. The unit includes all the necessary internal plates and brackets to make "pre" and "post" installation compartment changes quick and easy. Using this system, both high and low voltage gang configurations along with line voltage compartment isolation can be implemented "on the fly". This makes just about any cabling/ connector scenario possible.

### SPECIFICATIONS

Size:	Box:	13.5" x 12" x depth
	Cover:	14" x 12.5" x .125"
Edging:	Height:	.25"
	Material:	Brass or Aluminum
Weight:	Box:	20.5 lbs.
	Cover:	10 lbs.

Flat Covers also available.

### FIRE-RESISTANT FLOOR BOXES

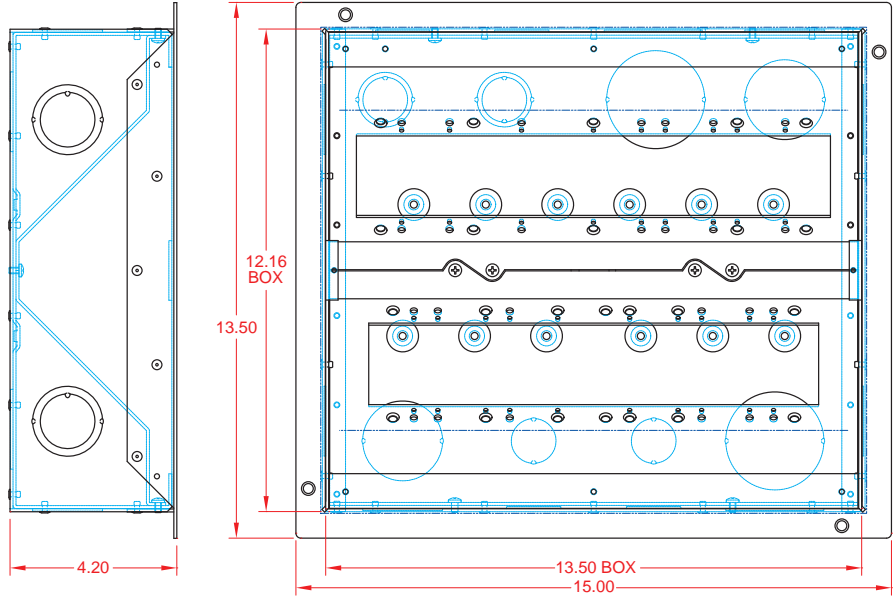


See Lit 1458 FR Brochure for details.

FSR also offers a line of larger Fire-Resistant floor boxes.

Our FL-500P-6-FRK and FL-605P-6-FRK floor solutions expand the versatility of our floor box line by providing enhanced, fire-resistant versions of our existing products. Our FRK kits are UL listed and comply with UL 263 Fire Resistance Ratings.

# BACK BOX DETAIL DRAWINGS

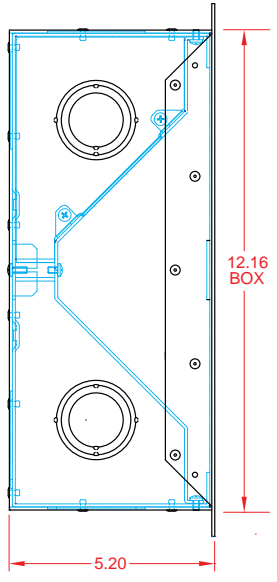


**FL-640P-4**

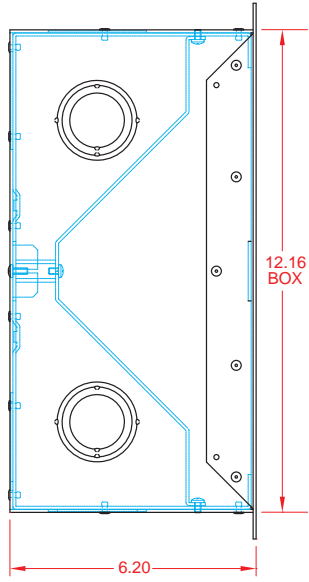
Length and width of backbox is the same for all models.

**KNOCKOUT SPECIFICATIONS**

<b>FL-640P-4</b>	
KO trade size	Qty/Box
3/4"	4
3/4" / 1.00" Concentric	4
1.00 / 1-1/4" Concentric	4
1-1/2"	4
2.00"	4



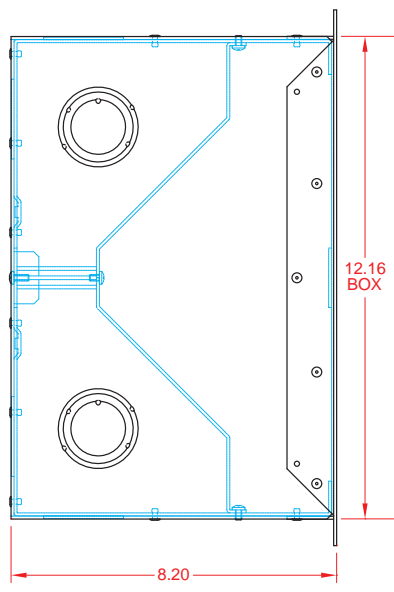
**FL-640P-5**



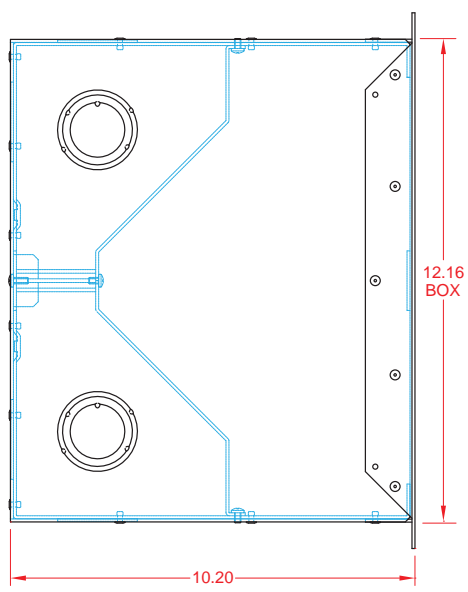
**FL-640P-6**

**KNOCKOUT SPECIFICATIONS**

<b>FL-640P-4 thru -8</b>	
KO trade size	Qty/Box
3/4"	4
3/4" / 1.00" Concentric	4
1.00 / 1-1/4" / 1-1/2" Concentric	4
1-1/2"	4
2.00"	4



**FL-640P-8**



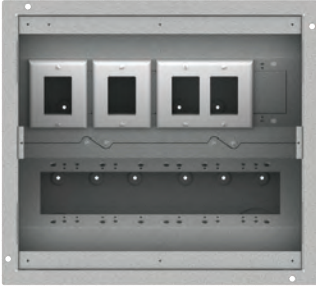
**FL-640P-10**

# **PLATE CONFIGURATIONS**

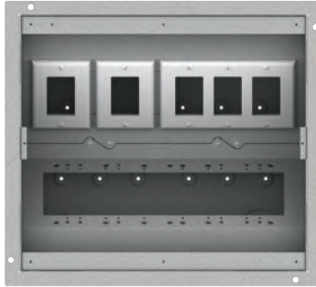
5-gang side shown (4" through 10" boxes).

Box can be configured as shown, using the included parts.

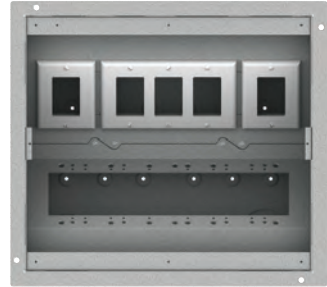
**Plate Configuration 1-1-2**



**Plate Configuration 1-1-3**



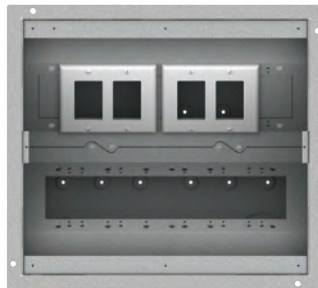
**Plate Configuration 1-3-1**



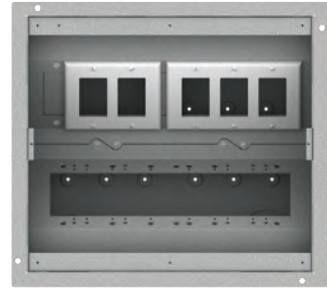
**Plate Configuration 1-4**



**Plate Configuration 2-2**



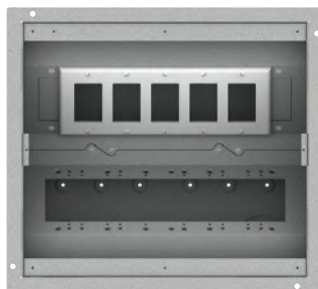
**Plate Configuration 2-3**



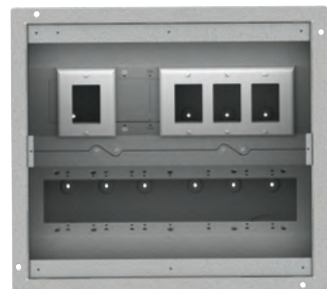
**Plate Configuration 4-1**



**Plate Configuration 5-0**



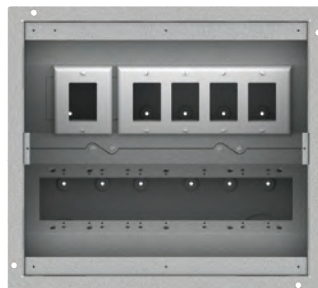
**Plate Configuration 1-3 (a)**



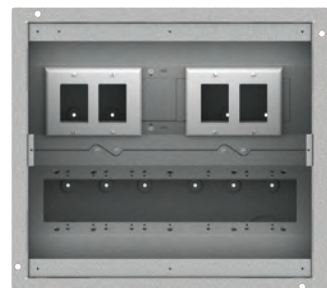
**Plate Configuration 1-3 (b)**



**Plate Configuration 1-4**



**Plate Configuration 2-2**

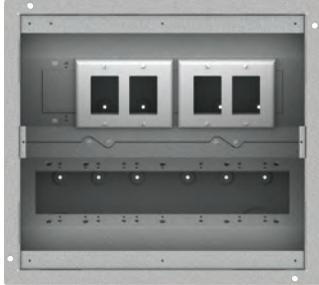


## PLATE CONFIGURATIONS

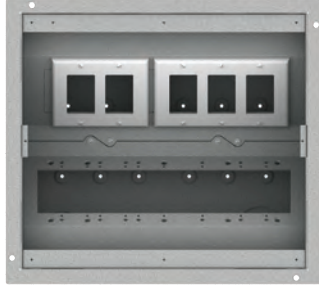
6-gang side shown (4" through 10" boxes).

Box can be configured as shown, using the included parts.

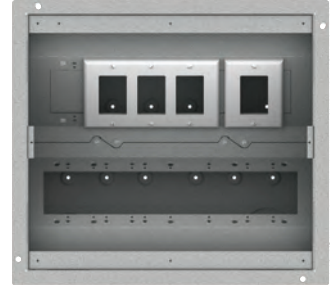
**Plate Configuration 2-2 (b)**



**Plate Configuration 2-3**



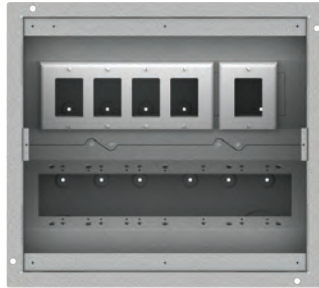
**Plate Configuration 3-1**



**Plate Configuration 3-2**



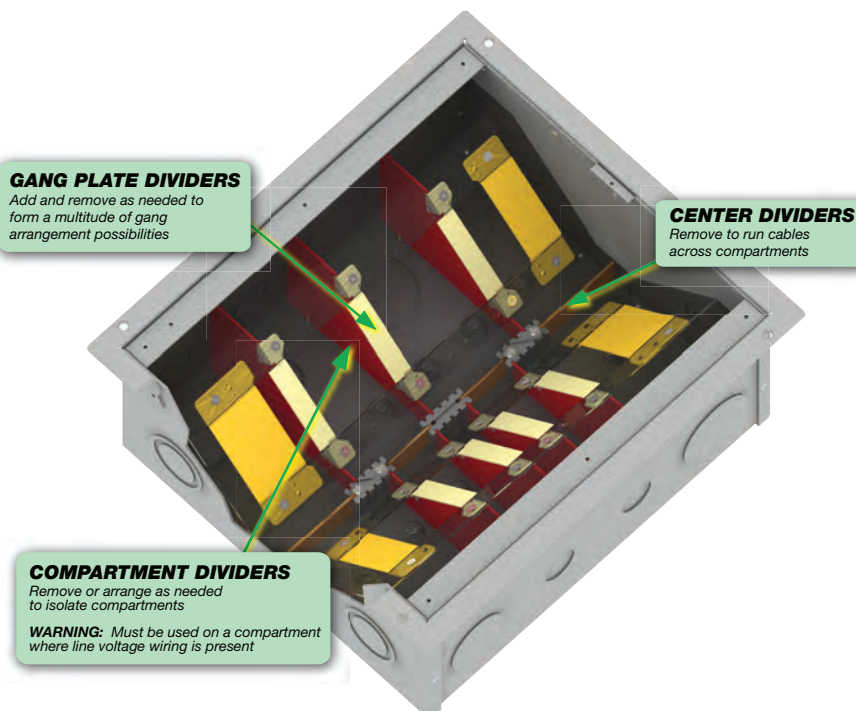
**Plate Configuration 4-1**



**Plate Configuration 6-0**

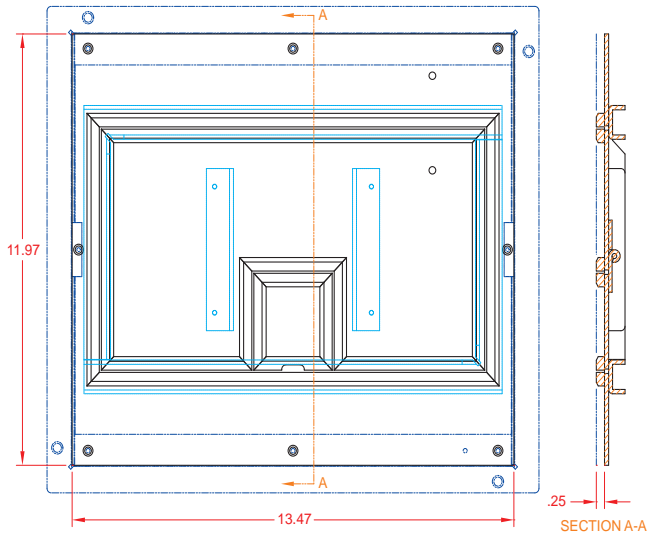


## FL-640P "TRANSFORMABLE" BACKBOX

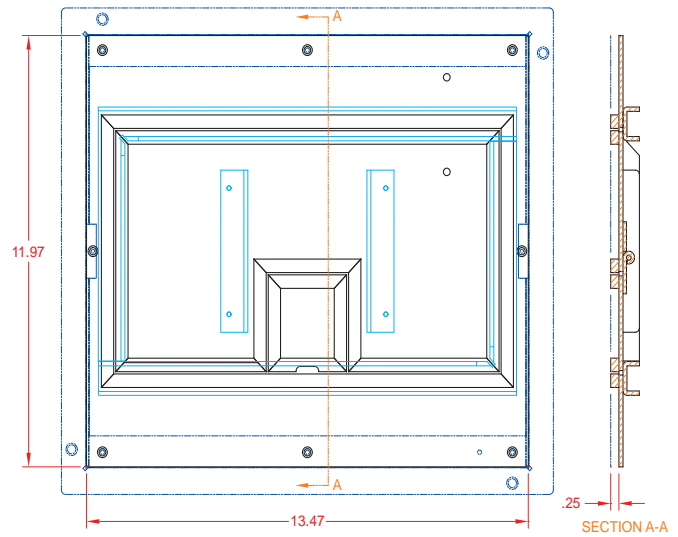


# COVER DETAIL DRAWINGS

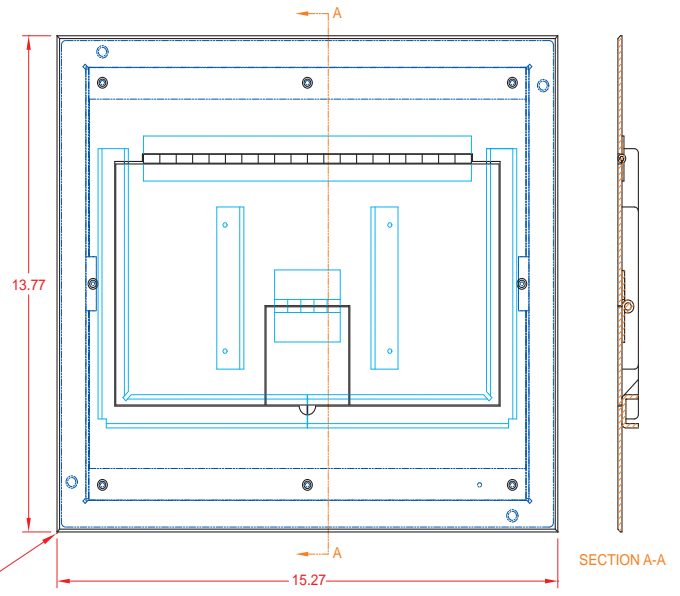
**STYLE 1**



**STYLE 2**

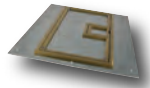


**STYLE 3**

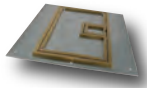


STYLE	MODEL NUMBER	DESCRIPTION
1	FL-640P-BLP-C	COVER WITH 1/4" BRASS CARPET FLANGE (LIFT OFF DOOR)
2	FL-640P-BSQ-C	COVER WITH 1/4" SQUARE BRASS CARPET FLANGE (LIFT OFF DOOR)
1	FL-640P-SLP-C	COVER WITH 1/4" ALUMINUM CARPET FLANGE (LIFT OFF DOOR)
2	FL-640P-SSQ-C	COVER WITH 1/4" SQUARE ALUMINUM CARPET FLANGE (LIFT OFF DOOR)
3	FL-640P-BLK-C	COVER (NO FLANGE) WITH HINGED DOOR IN BLACK SANDTEX

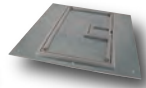
## COVER OPTIONS



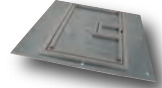
FL-640P-BLP



FL-640P-BSQ



FL-640P-SLP



FL-640P-SSQ

### Floor Box Covers and Back Boxes ordering information

*FL-640P – Requires ordering Cover and Back Box separately*

Item#	Part #	Description
<b>Covers - UL Listed</b>		
15529	FL-640P-BLP-C	Cover With 1/4" Brass Carpet Flange (Lift off door)
18272	FL-640P-SLP-C	Cover With 1/4" Aluminum Carpet Flange (Lift off door)
15983	FL-640P-SSQ-C	Cover With 1/4" Square Aluminum Flange (Lift off door)
15533	FL-640P-BLK-C*	Cover (No Flange) With Hinged Door in Black Sandtex
<b>Back boxes - UL Listed - Includes Steel Construction Cover</b>		
15527	FL-640P-4-B	FL-640P Back Box - 4" Deep
15528	FL-640P-6-B	FL-640P Back Box - 6" Deep
18081	FL-640P-5-B	FL-640P box bottom - 5" Deep
17171	FL-640P-8-B	FL-640P Back Box - 8" Deep
17178	FL-640P-10-B	FL-640P Back Box - 10" Deep

\* Black cover not pictured.