

# DV-HDA4K-12AUD DV-HDA4K-14AUD HDMI Distribution Amplifiers



DV-HDA4K-12AUD & -14AUD  
HDMI DA



DV-HDA4K-12AUD



DV-HDA4K-14AUD

## DESCRIPTION

The DV-HDA4K-12AUD is a 1x2 HDMI® 2.0 splitter that simultaneously routes one HDMI® source to two HDMI® displays. Similarly, the DV-HDA4K-14AUD is a 1x4 HDMI® 2.0 splitter that simultaneously routes one HDMI® source to four HDMI® displays. Use these units anywhere you need a single HDMI® source to simultaneously show on two or four displays. Both distribution amplifiers have L/R analog audio output, support resolutions up to 4K x 2K @ 60Hz (4:4:4) and are HDCP 2.2 compliant. These products also support audio extraction from the HDMI® source and output it as optical and analog audio. The outputs from the DV-HDA4K-12AUD and DV-HDA4K-14AUD each independently support down-scaling (4K->1080P).

## WHAT'S IN THE BOX



### DV-HDA4K-12AUD

- 1x 1x2 HDMI 2.0 Splitter
- 1x 5V/1A Power Adapter
- 1x User Manual

### DV-HDA4K-14AUD

- 1x 1x4 HDMI 2.0 Splitter
- 1x 5V/1A Power Adapter
- 1x User Manual

## FEATURES FOR BOTH MODELS

- Supports 18Gbps video bandwidth
- HDMI® 2.0b, HDCP2.2/HDCP1.4 compliant
- Supports video resolutions up to 4K x 2K@50/60Hz (4:4:4) HDR
- Supports S/PDIF digital and analog audio extraction
- Output ports support independent 4K->1080P down-scaler function via the dip switch settings on device
- EDID can be set to copy output 1's EDID setting for all output ports or compare all EDID settings and outputs the best resolution

## APPLICATIONS

- Conference Rooms
- Multi-purpose Rooms
- Collaboration Areas
- Classrooms
- Home Theaters
- Digital Signage

Connect with Confidence

## ORDERING INFORMATION

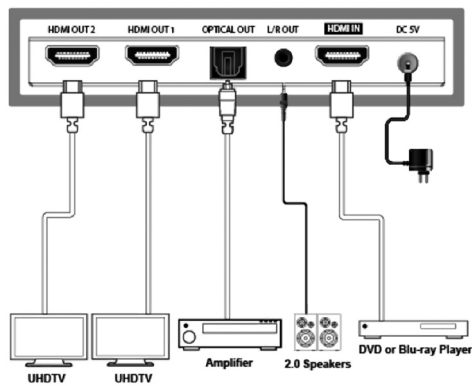
Item #	Part#	Description
18548	DV-HDA4K-12AUD	4K 1x2 Distribution Amplifier with Stereo Analog Audio Out
18595	DV-HDA4K-14AUD	4K 1x4 Distribution Amplifier with Stereo Analog Audio Out

# SPECIFICATIONS

<b>Technical</b>	
HDMI Compliance	HDMI 2.0b
HDCP Compliance	HDCP 2.2 and HDCP 1.4
Video Bandwidth	18Gbps
Video Resolutions	720P50/60Hz, 1080P50/60Hz, 4K2K24Hz, 4K2K30Hz, 4K2K@50/60Hz (4:4:4)
Color Depth	4K60Hz 8-bit, 1080P 12-bit
Color Space	RGB, YCbCr 4:4:4, YCbCr 4:2:2
HDMI Audio Formats	LPCM, Dolby Digital/Plus/EX, Dolby True HD, DTS, DTS-EX, DTS-96/24, DTS High Res, DTS-HD Master Audio, DSD
L/R Audio Formats	PCM 2.0
Optical Audio Formats	LPCM [2.0/2.1]CH, Dolby 5.1, Dolby True HD, Dolby DD+, DTS 5.1, DTS-ES 6, DTS-HDMA 5.1, DTS HD-HRA 5.1
ESD Protection	Human-body Model : ±8kV (Air-gap discharge) , ±4kV (Contact discharge)
<b>Connections</b>	
Input ports	1×HDMI Type A [19-pin female]
Output ports	2×HDMI Type A (DV-HDA4K-12AUD Model) 4×HDMI Type A [19-pin female] (DV-HDA4K-14AUD Model) 1×L/R Audio out [3.5mm Stereo Mini-jack] 1×Optical out [S/PDIF]
<b>Mechanical</b>	
Housing	Metal Enclosure
Color	Black
Dimensions	DV-HDA4K-12AUD - 4.75" (120mm) ×2.46" (62.5mm) ×.55" (14mm) DV-HDA4K-14AUD - 7.15" (180mm) ×2.46" (62.5mm) ×.55" (14mm)
Weight	166g (DV-HDA4K-12AUD) 227g (DV-HDA4K-14AUD)
Power Supply	Input: AC100~240V 50/60Hz, Output: DC5V/1A (US/EU standards, CE/FCC/UL certified)
Power Consumption	2.8W (max) (DV-HDA4K-12AUD) 3.5W (max) (DV-HDA4K-14AUD)
Operating Temperature	0°C ~ 40°C / 32°F ~ 104°F
Storage Temperature	-20°C ~ 60°C / -4°F ~ 140°F
Relative Humidity	20~90% RH (non-condensing)

# APPLICATION EXAMPLES

DV-HDA4K-12AUD Application



DV-HDA4K-14AUD Application

