

**Ultra High Speed Certified  
\*10m & 15m 8K  
CoilGuard Cable**

with



**DESCRIPTION**

FSR's 8K Next Generation Digital Ribbon Cables with CoilGuard utilize a proprietary technology to allow high speed, high definition HDMI® signal transmission over distances of up to 100 ft. This durable cable is fitted with a discreet stainless steel reinforced inner jacket and an outer black jacket that allows the cable to withstand rough service during, and to blend in after installation. The hybrid fiber/copper cables deliver a speed of 18 Gb/sec video bandwidth. They can easily handle up to 8k 60Hz 4:4:4 HDR uncompressed HDMI® video and are eARC compatible. The cables come pre-terminated in convenient lengths. These advanced technology cables use four glass fibers, seven copper wires and supply the necessary power to the embedded circuitry at both ends of the cable. They meet the HDMI® / HDCP testing standards. The connector shells are labeled "source" and "display" to aid in proper connections.

**ORDERING INFORMATION**

Item #	Part#	Description	Meters	Feet
18506	DR-H2.1-SR-10M	8K 48Gbps Steel Reinforced HDMI Male to HDMI Male - BLK AOC	10	33
18507	DR-H2.1-SR-15M	8K 48Gbps Steel Reinforced HDMI Male to HDMI Male - BLK AOC	15	50
18508	DR-H2.1-SR-23M	8K 48Gbps Steel Reinforced HDMI Male to HDMI Male - BLK AOC	23	75
18509	DR-H2.1-SR-30M	8K 48Gbps Steel Reinforced HDMI Male to HDMI Male - BLK AOC	30	100

**FEATURES**

- Can handle up to 8K 60Hz 4:4:4 HDR uncompressed HDMI® video
- First Ultra High Speed Certified Active Optical 10m and 15m 8K CoilGuard cables
- Stainless steel reinforced construction
- Enhanced pull strength of 100 lbs.
- Suitable for Rough Service. Short term load limit of 2000N/100mm (450lbs./4")
- Overcomes distance limitations of conventional HDMI® cables
- Competitive in cost to older cable types
- Signal integrity is uncompromised
- Multi-format compatibility
- No external power or special tooling required
- Cable and connectors easily fit within a 1" conduit
- Supports DDC for HDCP and EDID
- Supports PCM, Dolby, DTS-HD & True HD audio
- eARC compatible

**APPLICATIONS**

Great for temporary or permanent installation in high traffic areas like:

- Auditoriums
- Concert Halls
- Terminals
- Common Areas
- Hospitality
- Training Rooms
- Trade Shows
- Rentals

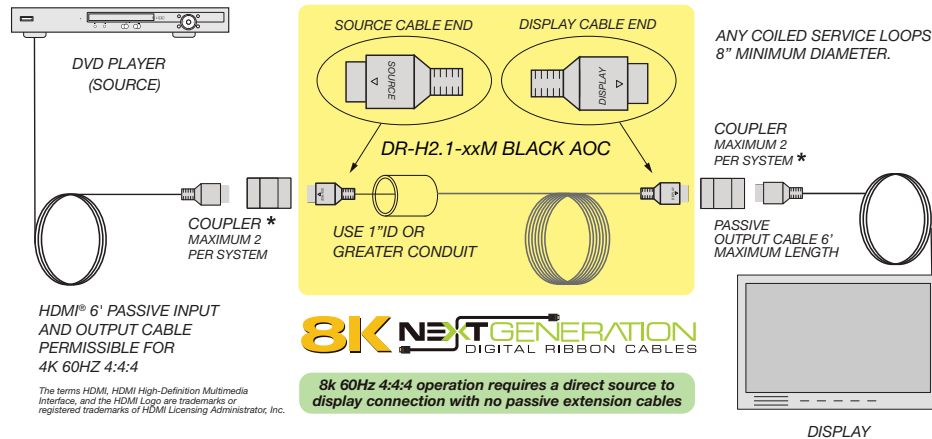


# SPECIFICATIONS

Performance Characteristics	
Video Connectors	Male HDMI®
Maximum Length	100' (30 meters)
Cable Dimensions	See dimension drawings below
Compliance	RoHS, UL444, CSA C22.2 No. 214, UL 746A
HDMI Cable Type	High-Speed HDMI®
Total Power Consumption	0.25 Watts
Endurance at Bend Radius	Over 10k cycles at 2" (50 mm) Radius
Minimum Bend Radius	0.5" (12.7mm)
Maximum Tensile Load	100 lbs.
Environmental Performance	
Operating Temperature Range	+32° F to +122° F (0 ° to +50°C)
Maximum Operating Humidity	85%
Storage Temperature Range	-22° to +122° F (-30° to +50°C)
Product Specifications	
<ul style="list-style-type: none"> <li>Up to 8K 60Hz 4:4:4 HDR HDR uncompressed HDMI video</li> <li>3D</li> <li>Deep Color</li> <li>18 Gb/sec video bandwidth</li> </ul>	<ul style="list-style-type: none"> <li>Supports DDC for HDCP and EDID</li> <li>HDMI-CEC</li> <li>eARC compatible</li> <li>Supports PCM, Dolby, DTS-HD and True HD audio</li> </ul>

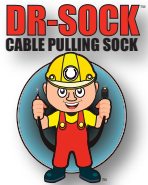
**\*\*8k 60Hz 4:4:4 operation requires a direct source to display connection with no passive extension cables**

# APPLICATIONS

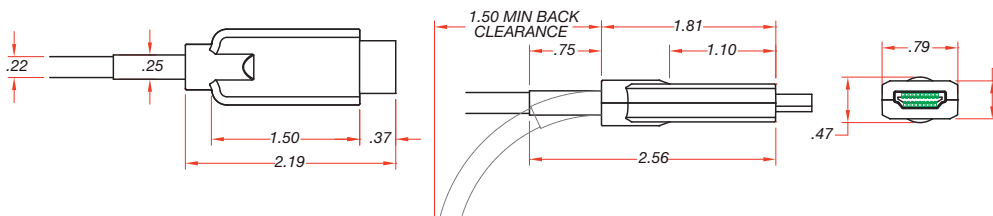


**IMPORTANT:**  
Do not use any pulling method that will result in a localized twisting of the cable or damage will result and the warranty will be voided.

The DR-SOCK is perfect protection for pulling pre-connectorized cable through conduit, and can be used over and over.



# DIMENSIONS



The terms HDMI, HDMI High-Definition Multimedia Interface, and the HDMI Logo are trademarks or registered trademarks of HDMI Licensing Administrator, Inc.