

The terms HDMI, HDMI High-Definition Multimedia Interface, and the HDMI Logo are trademarks or registered trademarks of HDMI Licensing Administrator, Inc.

DESCRIPTION

FSR's Next Generation 8K Digital Ribbon Cables utilize a proprietary technology to allow high speed, high definition HDMI® signal transmission over distances of up to 100 ft. The cable is fitted with a discreet black jacket that allows the cable to blend in after installation. The hybrid fiber/copper cables deliver a speed of 48 Gb/sec video bandwidth when directly connected or 18 Gb/sec when 6' copper cables are added to ends. They can easily handle up to 8k 60Hz 4:4:4 HDR uncompressed HDMI® video and are eARC compatible. The cables come pre-terminated in convenient lengths. These advanced technology cables use four glass fibers, seven copper wires and supply the necessary power to the embedded circuitry at both ends of the cable. They meet the HDMI® / HDCP testing standards. The connector shells are labeled "source" and "display" to aid in proper connections.

FEATURES

- Supports up to 6' standard copper HDMI® extension cables for 4K 60Hz in-the-wall applications
- Video resolution up to 8K@60Hz YUV 4:4:4 and supports all HDCP versions
- Supports a bandwidth of 48 Gbps
- Lengths from 10m to 30m
- Signal integrity is uncompromised
- Multi-format compatibility
- No external power or special tooling required
- Cable and connectors easily fit within a 1" conduit
- Plenum Rated - Type CMP/FT6
- Supports DDC for HDCP and EDID
- Supports PCM, Dolby, DTS-HD and True HD audio
- eARC compatible
- UL Listed

ORDERING INFORMATION

Item #	Description	Length Meters	Length Feet
18384	DR-H2.1-10M 8K 48Gbps HDMI Blk CBL	10	33
18385	DR-H2.1-15M 8K 48Gbps HDMI Blk CBL	15	50
18386	DR-H2.1-23M 8K 48Gbps HDMI Blk CBL	23	75
18387	DR-H2.1-30M 8K 48Gbps HDMI Blk CBL	30	100

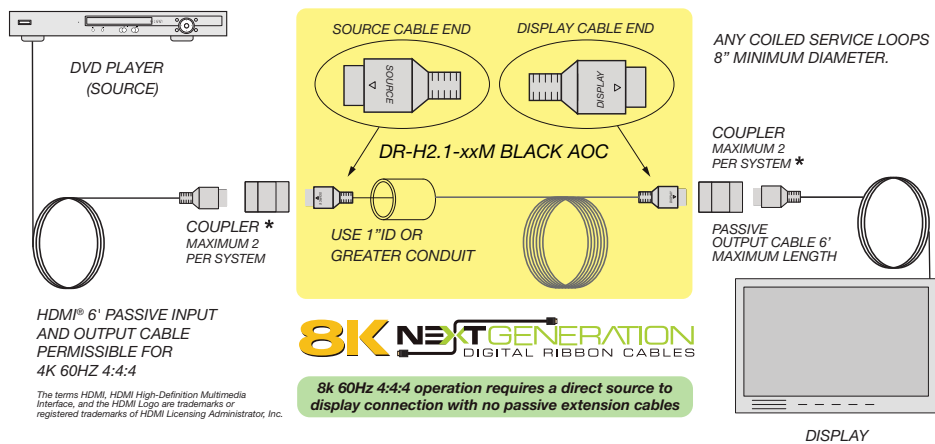


SPECIFICATIONS

Performance Characteristics	
Video Connectors	Male HDMI®
Maximum Length	100' (33 meters)
Cable Dimensions	0.2" (5mm) dia.
UL Listing	CMP/FT6
Compliance	RoHS, UL444, CSA C22.2 No. 214, UL 746A
HDMI Cable Type	High-Speed HDMI®
Total Power Consumption	0.25 Watts
Endurance at Bend Radius	Over 10k cycles at 2" (50 mm) Radius
Minimum Bend Radius	0.5" (13 mm)
Maximum Tensile Load	50 lbs.
Environmental Performance	
Operating Temperature Range	+32° F to +122° F (0 ° to +50°C)
Maximum Operating Humidity	85%
Storage Temperature Range	-22° to +122° F (-30° to +50°C)
Product Specifications	
<ul style="list-style-type: none"> Up to 8k 60Hz 4:4:4 HDR uncompressed HDMI video 3D Deep Color 48 Gb/sec video bandwidth 	<ul style="list-style-type: none"> Supports DDC for HDCP and EDID HDMI-CEC eARC compatible Supports PCM, Dolby, DTS-HD and True HD audio

****8k 60Hz 4:4:4 performance requires a direct connection from source to display.**

APPLICATIONS



IMPORTANT:
Do not use any pulling method that will result in a localized twisting of the cable or damage will result and the warranty will be voided.

The DR-SOCK is perfect protection for pulling pre-connectorized cable through conduit, and can be used over and over.



DIMENSIONS

