

* Skirt Nut[®]

The World's BEST
22mm Flange Nut
for Hub Piloted
Wheels!

STOPS WHEEL/HUB VIBRATIONS NO MORE LOOSE WHEELS!

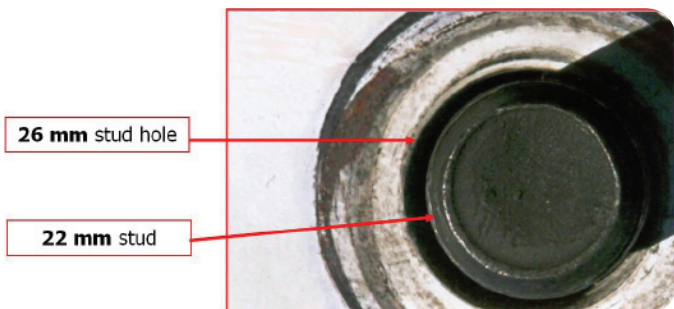
WHY SKIRT NUT?



ESCO Part # 40125

- **STOPS WHEEL/HUB VIBRATIONS** and Many Tire Wearing Problems
- **NO MORE LOOSE WHEELS** Stops Wheel Movement (Clocking) on the face of the Hub
- **ELIMINATES WASTED FUEL** caused by rolling resistance "Drag"
- **MEETS AND EXCEEDS** Standards of SAEJ1965 For Torque Tension.
- **REPLACES ALL** style M22 Flange Nuts on Hub-Piloted Wheels

**FILLS IN THE GAP BETWEEN
THE STUD AND BOLT HOLE**

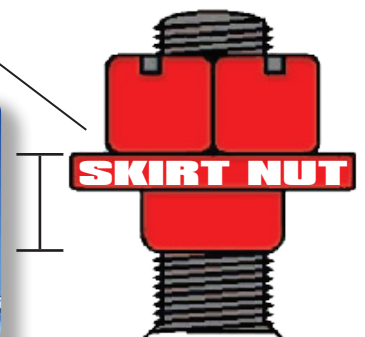


There is a fairly large tolerance between the diameter of each stud hole and the diameter of the stud itself

**SPECIAL GRAPHITE COATING PREVENTS
NUT FROM RUSTING ONTO HUB**

Extended Threading

allowing **Skirt Nut** to go down into Hub-Piloted Disc Wheel an extra 3/16" (5mm) into stud hole.



* As With All Wheel Attaching Parts, Skirt Nut Must be Torqued to meet Manufacturers specs According to OSHA Regulation: 29CFR1950.177 "Servicing Single Piece Wheels".

Contact us at:

Phone: 352-754-1117

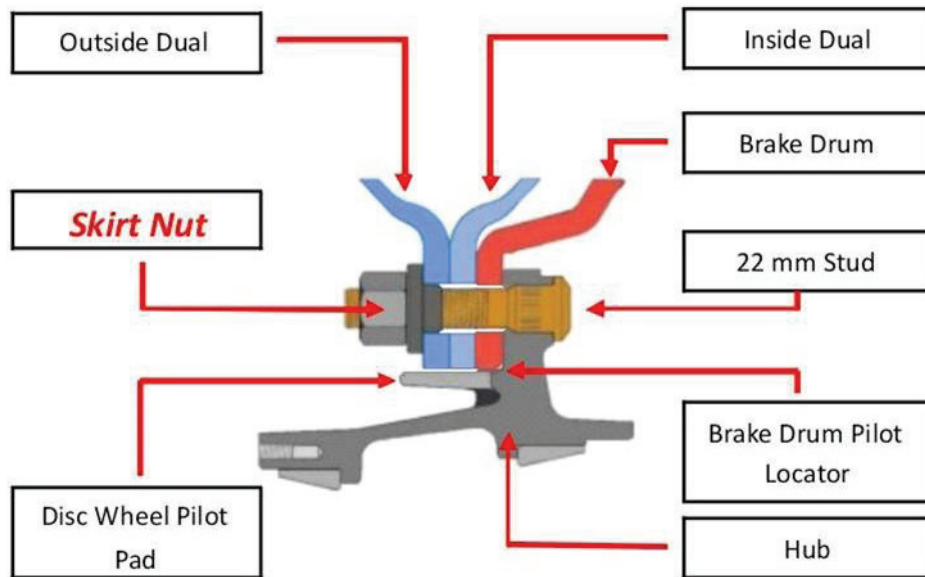
Toll Free: 1-800-352-9852 U.S., Canada, and Caribbean Only

Website: www.esco.net

15270 Flight Path Drive • Brooksville, FL • 34604

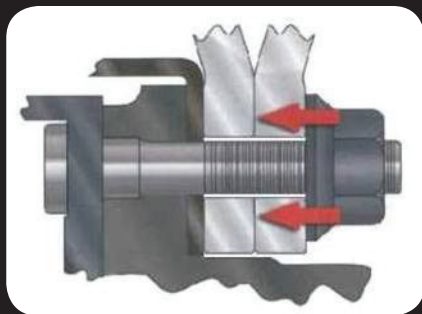


How Skirt Nut Works:



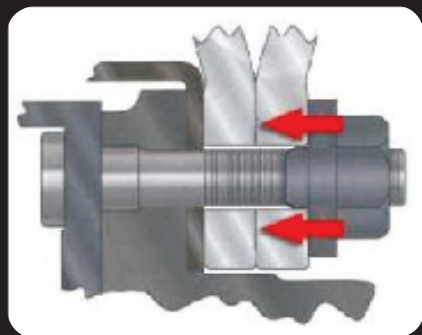
The "Skirt" penetrates the disc by approximately 2/3 of disc thickness, filling the space between the stud hole and the stud. This centers the wheel on the stud circle, ensuring the wheel runs concentrically to the hub.

Dual Wheel Application:



Standard flange nuts clamp against the disc surface only; **DOES NOT** eliminate extra space between stud and stud holes.

VS.



Each Skirt Nut clamps against the disc surface; self-centers, **AND DOES** eliminate extra 4mm space between stud and stud holes - No "Clocking" is permitted.

Skirt Nut's Flange washer takes over 2,500 lbs. of force to pop off the nut which is 50 times more than standard 22 mm flange washers!

REMINDER: TO MAINTAIN CORRECT CLAMPING FORCE, IMPROVE TIRE WEAR AND ELIMINATE THE RISK OF WHEEL LOSS, 10 SKIRT NUTS PER WHEEL ARE REQUIRED

Contact us at:

Phone: 352-754-1117

Toll Free: 1-800-352-9852 U.S., Canada, and Caribbean Only

Website: www.esco.net

15270 Flight Path Drive • Brooksville, FL • 34604

SOLD BY CASE OF 10

