

**ZCL 360i™**  
user manual

©2021 ELATION PROFESSIONAL all rights reserved. Information, specifications, diagrams, images, and instructions herein are subject to change without notice. ELATION PROFESSIONAL logo and identifying product names and numbers herein are trademarks of ELATION PROFESSIONAL. Copyright protection claimed includes all forms and matters of copyrightable materials and information now allowed by statutory or judicial law or hereinafter granted. Product names used in this document may be trademarks or registered trademarks of their respective companies and are hereby acknowledged. All non-ELATION brands and product names are trademarks or registered trademarks of their respective companies.

**ELATION PROFESSIONAL** and all affiliated companies hereby disclaim any and all liabilities for property, equipment, building, and electrical damages, injuries to any persons, and direct or indirect economic loss associated with the use or reliance of any information contained within this document, and/or as a result of the improper, unsafe, insufficient and negligent assembly, installation, rigging, and operation of this product.

**Elation Professional USA** | 6122 S. Eastern Ave. | Los Angeles, CA. 90040  
 323-582-3322 | 323-832-9142 fax | [www.elationlighting.com](http://www.elationlighting.com) | [info@elationlighting.com](mailto:info@elationlighting.com)

**Elation Professional B.V.** | Junostraat 2 | 6468 EW Kerkrade, The Netherlands  
 +31 45 546 85 66 | +31 45 546 85 96 fax | [www.elationlighting.eu](http://www.elationlighting.eu) | [info@elationlighting.eu](mailto:info@elationlighting.eu)



## DOCUMENT VERSION

Please check [www.elationlighting.com](http://www.elationlighting.com) for the latest revision/update of this manual.

Date	Document Version	Software Version ≥	DMX Channel Modes	Notes
08/12/16	1	1.01	17/ 19/ 21	Added photometric data and max power consumption.
09/16/16	1.1	No change	17/ 19/ 21	Added Safety Cable Rigging Point diagram.
11/11/21	1.2	1.08	No Change	Updated primary/secondary

## CONTENTS

General Information	4
Warranty	6
Safety Instructions and Guidelines	7
Overview	9
Installation	10
System Menu	14
DMX Channel Functions And Values	20
Error Codes	25
Cleaning and Maintenance	26
Technical Specifications	27
Optional Accessories	29

## GENERAL INFORMATION

### INTRODUCTION

Congratulations, you have just purchased one of the most innovative and reliable lighting fixtures on the market today! This fixture has been designed to perform reliably for years when the guidelines in this booklet are followed. Please read and understand the instructions in this manual carefully and thoroughly before attempting to operate this unit. These instructions contain important information regarding safety during use and maintenance.

### UNPACKING

Every fixture has been thoroughly tested and has been shipped in perfect operating condition. Carefully check the shipping carton for damage that may have occurred during shipping. If the carton appears to be damaged, carefully inspect your unit for damage and be sure all accessories necessary to operate the unit have arrived intact. In the event damage has been found or parts are missing, please contact our customer support team for further instructions. Please do not return this unit to your dealer without first contacting customer support at the number listed below. Please do not discard the shipping carton in the trash. Please recycle whenever possible.

### BOX CONTENTS

- 1 Omega Bracket
- 1 power Cable

## **CUSTOMER SUPPORT**

Elation Professional® provides a customer support line, to provide set up help and to answer any question should you encounter problems during your set up or initial operation. You may also visit us on the web at [www.elationlighting.com](http://www.elationlighting.com) for any comments or suggestions. For service related issue please contact Elation Professional.

### **ELATION SERVICE USA - Monday - Friday 8:00am to 5:00pm PST**

**Voice: 323-582-3322**

**Fax: 323-832-9142**

E-mail: [support@elationlighting.com](mailto:support@elationlighting.com)

### **ELATION SERVICE EUROPE - Monday - Friday 08:30 to 17:00 CET**

**Voice: +31 45 546 85 30**

**Fax: +31 45 546 85 96**

E-mail: [support@elationlighting.eu](mailto:support@elationlighting.eu)

## **WARRANTY REGISTRATION**

Please complete and mail in the enclosed warranty card or register online: <http://www.elationlighting.com/Login.aspx> to validate your purchase. All returned service items whether under warranty or not, must be freight pre-paid and accompany a return authorization (R.A.) number. The R.A. number must be clearly written on the outside of the return package. A brief description of the problem as well as the R.A. number must also be written down on a piece of paper and included in the shipping container. If the unit is under warranty, you must provide a copy of your proof of purchase invoice. Items returned without a R.A. number clearly marked on the outside of the package will be refused and returned at customer's expense. You may obtain a R.A. number by contacting customer support.

## **IMPORTANT NOTICE!**

**There are no user serviceable parts inside this unit. Do not attempt any repairs yourself; doing so will void your manufactures warranty. Damages resulting from modifications to this fixture and/or the disregard of safety and general user instructions found in this user manual void the manufactures warranty and are not subject to any warranty claims and/or repairs.**

## LIMITED WARRANTY

A. Elation Professional® hereby warrants, to the original purchaser, Elation Professional® products to be free of manufacturing defects in material and workmanship for a period of two years (730 days), and Elation Professional® product rechargeable batteries to be free of manufacturing defects in material and workmanship for a period of six months (180 days), from the original date of purchase. This warranty excludes discharge lamps and all product accessories. This warranty shall be valid only if the product is purchased within the United States of America, including possessions and territories. It is the owner's responsibility to establish the date and place of purchase by acceptable evidence, at the time service is sought.

B. For warranty service, send the product only to the Elation Professional® factory. All shipping charges must be pre-paid. If the requested repairs or service (including parts replacement) are within the terms of this warranty, Elation Professional® will pay return shipping charges only to a designated point within the United States. If any product is sent, it must be shipped in its original package and packaging material. No accessories should be shipped with the product. If any accessories are shipped with the product, Elation Professional® shall have no liability what so ever for loss and/or damage to any such accessories, nor for the safe return thereof.

C. This warranty is void if the product serial number and/or labels are altered or removed; if the product is modified in any manner which Elation Professional® concludes, after inspection, affects the reliability of the product; if the product has been repaired or serviced by anyone other than the Elation Professional® factory unless prior written authorization was issued to purchaser by Elation Professional®; if the product is damaged because not properly maintained as set forth in the product instructions, guidelines and/or user manual.

D. This is not a service contract, and this warranty does not include any maintenance, cleaning or periodic check-up. During the periods as specified above, Elation Professional® will replace defective parts at its expense, and will absorb all expenses for warranty service and repair labor by reason of defects in material or workmanship. The sole responsibility of Elation Professional® under this warranty shall be limited to the repair of the product, or replacement thereof, including parts, at the sole discretion of Elation Professional®. All products covered by this warranty were manufactured after January 1, 1990, and bare identifying marks to that effect.

E. Elation Professional® reserves the right to make changes in design and/or performance improvements upon its products without any obligation to include these changes in any products theretofore manufactured.

F. No warranty, whether expressed or implied, is given or made with respect to any accessory supplied with the products described above. Except to the extent prohibited by applicable law, all implied warranties made by Elation Professional® in connection with this product, including warranties of merchantability or fitness, are limited in duration to the warranty periods set forth above. And no warranties, whether expressed or implied, including warranties of merchantability or fitness, shall apply to this product after said periods have expired. The consumer's and/or dealer's sole remedy shall be such repair or replacement as is expressly provided above; and under no circumstances shall Elation Professional® be liable for any loss and/or damage, direct and/or consequential, arising out of the use of, and/or the inability to use, this product.

G. This warranty is the only written warranty applicable to Elation Professional® products and supersedes all prior warranties and written descriptions of warranty terms and conditions heretofore published.

## SAFETY INSTRUCTIONS AND GUIDELINES

This fixture is an extremely sophisticated piece of electronic equipment. To guarantee a smooth operation, it is important to follow all instructions and guidelines in this manual. The manufacturer of this device is not responsible for injury and/or damages resulting from the misuse of this fixture due to the disregard of the information printed in this manual. Only qualified and/or certified personnel should perform installation of this fixture and only the original rigging parts (omega brackets) included with this fixture should be used for installation. Any modifications to the fixture and/or the mounting hardware included will void the original manufacturer's warranty and increase the risk of damage and/or personal injury.



**PROTECTION CLASS 1 - FIXTURE MUST BE PROPERLY GROUNDED**



**DO NOT PLUG FIXTURE INTO A DIMMER PACK!**

**NEVER OPEN THIS FIXTURE WHILE IN USE!**

**UNPLUG POWER BEFORE SERVICING FIXTURE!**

**NEVER TOUCH FIXTURE DURING OPERATION, AS IT MAY BE HOT!**

**KEEP FLAMMABLE MATERIALS AWAY FROM FIXTURE!**



**INDOOR / DRY LOCATIONS USE ONLY!**

**DO NOT EXPOSE FIXTURE TO RAIN AND MOISTURE!**



**NEVER LOOK DIRECTLY INTO THE LIGHT SOURCE!**

**RETINA INJURY RISK - MAY INDUCE BLINDNESS!**

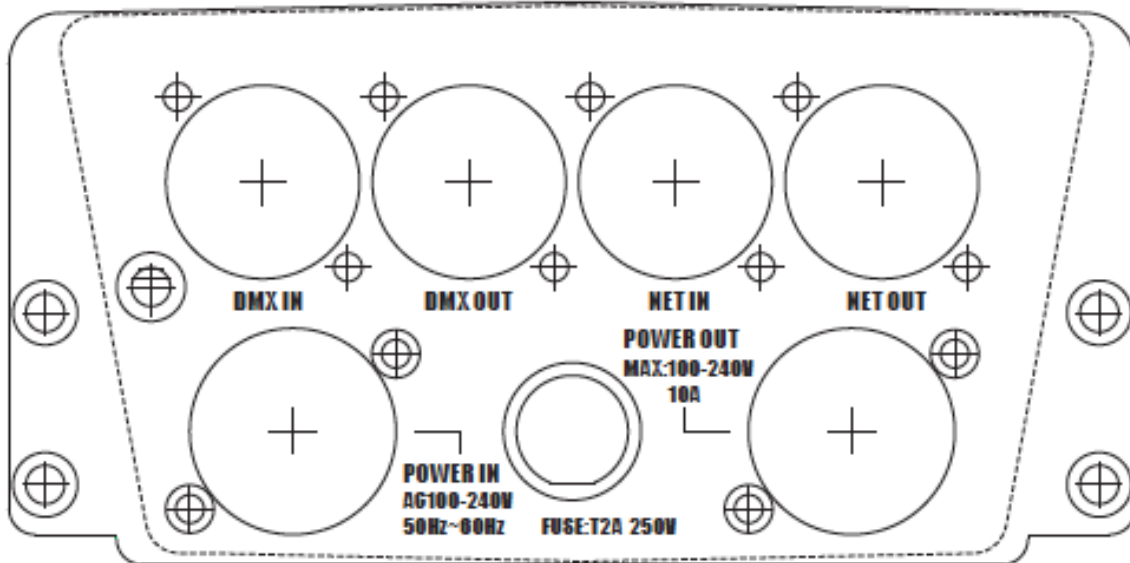
**SENSITIVE PERSONS MAY SUFFER AN EPILEPTIC SHOCK!**

## SAFETY INSTRUCTIONS AND GUIDELINES

- **DO NOT TOUCH** the fixture housing during operation. Turn OFF the power and allow approximately 15 minutes for the fixture to cool down before serving.
- **DO NOT** shake fixture, avoid brute force when installing and/or operating fixture.
- **DO NOT** operate fixture if the power cord has become frayed, crimped and/or damaged. If the power cord is damaged, replace it immediately with a new one of similar power rating.
- **DO NOT** block any air ventilation slots. All fan and air inlets must remain clean and never blocked. Allow approx. 6" (15cm) between fixture and other devices or a wall for proper cooling.
- When installing fixture in a suspended environment, always use mounting hardware that is no less than M10 x 25 mm, and always install fixture with an appropriately rated safety cable.
- Always disconnect fixture from main power source before performing any type of service and/or cleaning procedure. Only handle the power cord by the plug end, never pull out the plug by tugging the wire portion of the cord.
- During the initial operation of this fixture, a light smoke or smell may emit from the interior of the fixture. This is a normal process and is caused by excess paint in the interior of the casing burning off from the heat associated with the lamp and will decrease gradually over time.
- Consistent operational breaks will ensure the fixture will function properly for many years to come.
- Use the original packaging and materials to transport the fixture in for service.



# OVERVIEW



## INSTALLATION



### **FLAMMABLE MATERIAL WARNING**

Keep fixture at least 5.0 ft (1.5m) away from any flammable materials, decorations, pyrotechnics, etc.



### **ELECTRICAL CONNECTIONS**

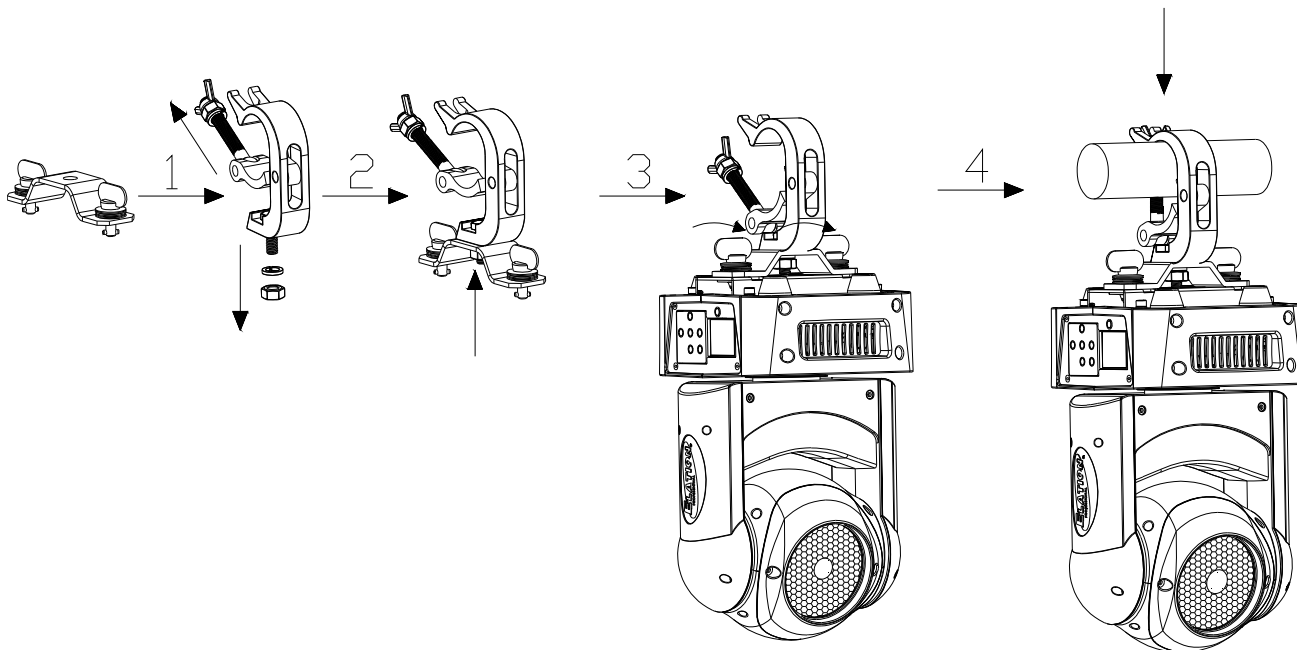
A qualified electrician should be used for all electrical connections and/or installations.

## CAUTIONS

- For added protection, mount the fixture in areas outside walking paths, seating areas, or in areas where unauthorized personnel might reach the fixture.
- Ambient operating temperature range for this fixture is **5° to 113°F. (-15° to 45°C)**  
Do not use the fixture under or above this temperature.
- Before mounting the fixture to any surface, make sure the installation area can hold a minimum point load of 10 times the weight of the fixture.
- Fixture installation must always be secured with a secondary safety attachment, such as an appropriate safety cable.
- Never stand directly below the device when mounting, removing or servicing.

## CLAMP INSTALLATION

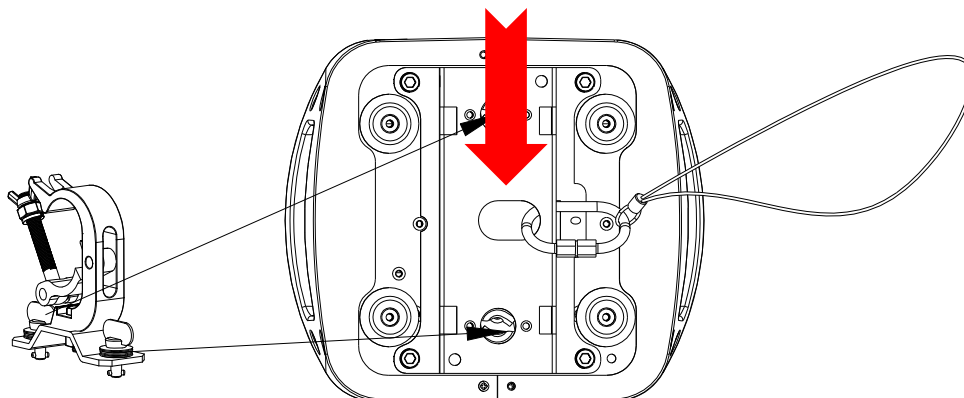
The fixture provides a unique mounting assembly (**Omega Bracket**) that attaches to the bottom of the base. (See the illustration below). When mounting this fixture to truss be sure to secure an appropriately rated clamp to the included **Omega Bracket** using a M10 screw fitted through the center hole of the **Omega Bracket**. Be sure to attach an appropriate **Safety Cable** (not included) to the fixture using the safety cable rigging point integrated in the base assembly.



## OMEGA BRACKET INSTALLATION

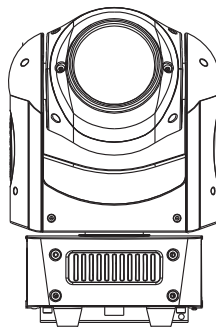
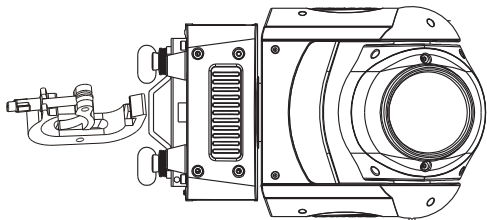
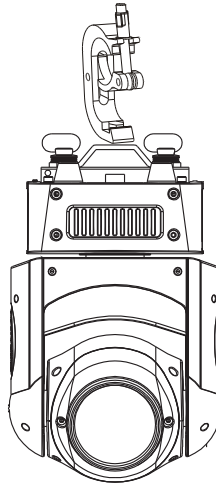
Insert the Omega Bracket into the matching holes on the bottom of the fixture. Secure the Omega Bracket to the fixture by turning each quick-lock fastener  $\frac{1}{4}$  turn clockwise; making sure the fastener is completely locked.

## SAFETY CABLE RIGGING POINT



## RIGGING

Overhead rigging requires extensive experience, including amongst others calculating working load limits, installation material being used, and periodic safety inspection of all installation material and the fixture. If you lack these qualifications, do not attempt the installation yourself. Improper installation can result in bodily injury. Fixture is fully operational in the specific mounting positions illustrated below.



## SAFETY CABLE

**ALWAYS USE A SAFETY CABLE WHENEVER INSTALLING THIS FIXTURE IN A SUSPENDED ENVIRONMENT TO ENSURE THE FIXTURE WILL NOT DROP IF THE CLAMP FAILS.**

## POWER LINKING

Max number of **ZCL 360i™** units power linked together:

**11 units @120V | 22 units @240V**

- ▶ **NOTE: USE CAUTION WHEN POWER LINKING OTHER FIXTURES TO ZCL 360i™!**  
**POWER CONSUMPTION OF OTHER LIGHTING FIXTURES WILL VARY!**  
**ALWAYS CHECK MAX AMP OUT RATING PRINTED ON THE REAR CONNECTION PANEL!**

## ART-NET CONNECTION

When connecting fixture to a network switch to control multiple devices, a **Gigabit Ethernet Switch** that supports **IGMP (Internet Group Management Protocol)** is required.

Using a **Gigabit Ethernet Switch** that does not support **IGMP** can cause erratic behavior of all connected devices to the switch.

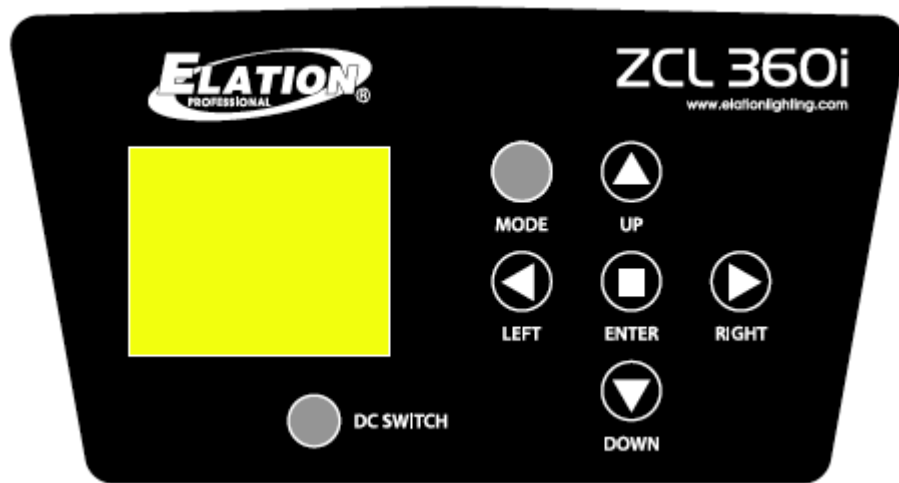
Click link below for more information about IGMP.

[https://en.wikipedia.org/wiki/Internet\\_Group\\_Management\\_Protocol](https://en.wikipedia.org/wiki/Internet_Group_Management_Protocol)

## SYSTEM MENU

The fixture comes with an easy to navigate system menu. The control panel (see image below) located on the front the fixture provides access to the main system menu and is where all necessary system adjustments are made to the fixture. During normal operation, pressing **MODE** button once will access the fixture’s main menu. Once in the main menu you can navigate through the different functions and access the sub-menus with the **UP**, **DOWN**, **RIGHT**, and **LEFT** buttons. Once you reach a field that requires adjusting, press the **ENTER** button to activate that field and use the **UP** and **DOWN** buttons to adjust the field. Pressing the **ENTER** button once more will confirm your setting. You may exit the main menu at any time without making any adjustments by pressing the **MODE/ESC** button.

- ▶ **NOTE:** To access the LCD Menu Control Display via the internal battery, press and hold the **DC SWITCH** button for 3 seconds. The LCD Menu Control Display will shut **OFF** automatically about 1 minute from the last button press.



### INFORMATION DISPLAYED DURING INITIAL POWER ON

When the fixture is initially powered ON, the display shows the following information:



## ELATION® ZCL 360i™ SYSTEM MENU

Features are subject to change without any prior written notice.

MAIN MENU	SUB MENU	OPTIONS / VALUES (Default Settings in <b>BOLD</b> )		DESCRIPTION
Receive	Set DMX Address	<b>001</b> ~ XXX		DMX Address Setting
User Mode	User Mode	<b>Standard</b> , Basic, Extend, User A, User B, User C		Set DMX Channel Mode
	Edit A	Max. Chan : Chase Fade		Edit User Defined Channel Assignments
	Edit B			
	Edit C			
Function	Status	Remote Add	ON/ <b>OFF</b>	Set Fixture Address Via DMX Control
		NoDMX Mode	<b>Hold</b> / Auto / Blackout	Function If NO DMX Detected
		Pan Invert	ON / <b>OFF</b>	Pan Reverse Movement
		Tilt Invert	ON / <b>OFF</b>	Tilt Reverse Movement
		Pan Degree	630/ <b>540</b>	Pan Degree Select
		Feedback	<b>ON</b> /OFF	Movement Feedback
		Move. Spd	Speed <b>1</b> ~ 4	Movement Mode Select
		Stand By	OFF, 01M~99M, <b>15M</b>	Stand By Mode
	Fixture ID	ServicePIN	PIN=XXX	Service PIN <b>050</b>
		RDM PID	XXXXX	RDM PID Code
		Unit IP Addr	XXX.XXX.XXX.XXX.	Enter Fixture's IP Address
		Universe	<b>000</b> -255	Enter Universe Number
		ProtocolSet	<b>ArtNet</b> , Kling-Net	
	Net Switch	<b>ON</b> / OFF		Activate NET OUT Port.
	Fan. Set	Head Fan	<b>Auto</b> , High, Low	Fan Speed Set
		LCD. Set	Backlight	02~60m <b>05m</b>
	FlipDisplay		ON / <b>OFF</b>	Flip/Reverse LCD Display 180°
	Key Lock		ON / <b>OFF</b>	Control Front Panel Buttons Key Lock
	Disp Flash		<b>ON</b> / OFF	Display flashes when NO DMX
	Dim Curve	<b>Standard</b> , Stage, TV, Architectur, Theatre		Set Dimmer Curve Mode
	Temp. C/F	<b>Celsius/Fahrenheit</b>		TemperatureSwitchBetweenC° / F°
	Init. Effect	PAN =XXX		Initial Effect Position
	Disp. Set	Chan. Value	PAN...	ValueofeachChannelDisplayed
		Secondary Set	<b>Sec 1</b> , Sec 2, Sec 3	Set Secondary Mode Preset
Auto.Pro		<b>Alone</b> , Primary	Set Auto Program Mode	
DFSE	ON / <b>OFF</b>		Restore Factory Settings	
Information	Time. Info	Current	XXXX (Hours)	Fixture Run Time From Power ON
		Total Time	XXXX (Hours)	Fixture Total Run Time
		Last Clear	XXXX (Hours)	Clear Fixture Last Run Time
		Timer PIN	PIN= <b>066</b>	Enter PIN to Access Clear Last. Menu
		Clear Last	ON / <b>OFF</b>	Reset Fixture Last Run Time
	Temp. Info	Head Temp.	XXX C° / <b>F</b> °	Temperature in Fixture Head
	Error Info	Error Record 1 ~ Error Record 10		Display 10 Recent Error Messages
	Model. Info	ZCL360i		Display Model Name
	Software Version	1U01:	≥VX.XX	Software Versions
		2U01:	≥VX.XX	
3U01:		≥VX.XX		
4U01:		≥VX.XX		

ELATION© ZCL 360i™ SYSTEM MENU					
Features are subject to change without any prior written notice.					
MAIN MENU	SUB MENU	OPTIONS / VALUES (Default Settings in BOLD)		DESCRIPTION	
Test	Reset. M	Pan&Tilt		Reset of Pan/Tilt Motors	
	Test. Chan			Test Functions	
	Panel. Ctrl			Fine Adjustments	
	Calibrate	Password	Password= <b>050</b>	Calibration of Motors and LEDs	
Program	Select. Pro	Auto Pro Part1 = Program 1~9 ( <b>Program 1</b> )		Select Programs To Be Run	
		Auto Pro Part2 = Program 1~9 ( <b>Program 2</b> )			
		Auto Pro Part3 = Program 1~9 ( <b>Program 3</b> )			
	Edit. Pro	Program 1	Program Test		Testing Program
		:	Step 01=SCxxx		Program In Loop
		Program 9	Step 64=SCxxx		Save and Exit
	Edit. Sce	Scene 001 ~ Scene 250	Pan,Tilt,.....		Save and Automatically Return
			--Fade Time-- --Scene Time--		Manual Scenes Edit
Input By Outside			Stores Scenes via Ext DMX Console		
Sce. Input	XX-XX			Automatic Scenes Recorder	

### Function - Status - Remote Add

When ON, define the desired DMX address of fixture via an external controller.

1. Connect the fixture to the external controller and power ON.
2. Set the DMX value of **Channel 1** on the controller to **(7)**.
3. Set the DMX value of **Channel 2** on the controller to **(7)** or **(8)**.

When set to **(7)**, the DMX address can be set between **(1)** and **(255)**.

When set to **(8)**, the DMX address can be set between **(256)** and **(511)**.

4. Using **Channel 3** on the controller set the desired DMX address of the fixture.

#### Example 1:

If the desired DMX address is **57**, set **Channel 1** to a value of **(7)**, set **Channel 2** to a value of **(7)**, and then set **Channel 3** to a value of **(57)**.

#### Example 2:

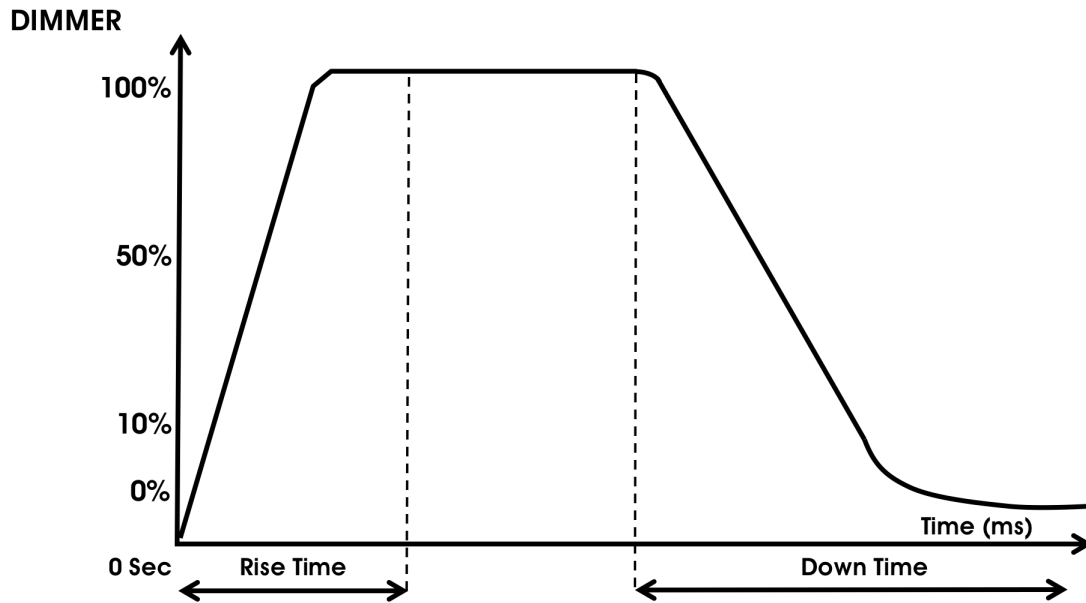
If the desired DMX address is **420**, set **Channel 1** to a value of **(7)**, set **Channel 2** to a value of **(8)**, and then set **Channel 3** to a value of **(164)**. (256+164=420)

5. After setting **Channel 3** to the desired DMX address value, wait for approximately 20 seconds for the fixture to complete the address reset function.



### Function - Dim Curve

Select desired DIMMER MODE (**Standard**, Stage, TV, Architectural, Theatre).



Dimming Curve Ramp Effect	0 sec Fade Time		1 sec Fade Time	
	Rise Time (ms)	Down Time (ms)	Rise Time (ms)	Down Time (ms)
Standard (default)	0	0	0	0
Stage	780	1100	1540	1660
TV	1180	1520	1860	1940
Architectural	1380	1730	2040	2120
Theatre	1580	1940	2230	2280

## Test – Calibrate

### ▶ **ONLY QUALIFIED TECHNICIANS SHOULD PERFORM THIS FUNCTION**

This function allows small adjustments to be made to the effect wheels to compensate for wear or in the event a sensor has been knocked slightly out of place. Because improper use of this function can result in undesired operation this function has been password protected. The password is **050** and must be entered each time the calibration menu function is entered. Because calibration is an extremely delicate procedure, instructions on performing this action are left out of this manual. For a first time calibrator, please contact our customer support team for step-by-step instructions.

# DMX CHANNEL FUNCTIONS AND VALUES

ELATION® ZCL 360i™				
DMX Channel Values / Functions Version (20 DMX Channels)				
Supports Software Versions: ≥ 1.08				
Features are subject to change without any prior written notice.				
*Rotation direction (Clockwise or Counterclockwise) of effects depends on orientation of the fixture head and Pan/Tilt settings.				
MODE / CHANNEL			VALUE	FUNCTION
BASIC	STAND	EXTEND		
1	1	1		PAN MOVEMENT [8 BIT]
			0-255	PAN Movement 630/540
		2		PAN FINE MOVEMENT [16 BIT]
			0-255	Fine Control of PAN Movement
2	2	3		TILT MOVEMENT [8 BIT]
			0-255	TILT Movement
		4		TILT MOVEMENT [16 BIT]
			0-255	Fine Control of TILT Movement
3	3	5		PAN CONTINUOUS MOVEMENT
			0-127	NO FUNCTION
			128-189	PAN Clockwise from FAST to SLOW
			190-193	NO Rotation
			194-255	PAN Counter-Clockwise from SLOW to FAST
4	4	6		TILT CONTINUOUS MOVEMENT
			0-127	NO FUNCTION
			128-189	TILT Clockwise from FAST to SLOW
			190-193	NO Rotation
			194-255	TILT Counter-Clockwise from SLOW to FAST
5	5	7		RED
			0-255	0 to 100%
6	6	8		GREEN
			0-255	0 to 100%
7	7	9		BLUE
			0-255	0 to 100%
8	8	10		WHITE
			0-255	0 to 100%

ELATION® ZCL 360i™				
DMX Channel Values / Functions Version (20 DMX Channels)				
Supports Software Versions: ≥ 1.08				
Features are subject to change without any prior written notice.				
<i>*Rotation direction (Clockwise or Counterclockwise) of effects depends on orientation of the fixture head and Pan/Tilt settings.</i>				
MODE / CHANNEL			FUNCTION	
BASIC	STAND	EXTEND		
9	9	11	COLOR PRESETS	
			0	OFF
			1-4	COLOR PRESET 01
			5-8	COLOR PRESET 02
			9-12	COLOR PRESET 03
			13-16	COLOR PRESET 04
			17-20	COLOR PRESET 05
			21-24	COLOR PRESET 06
			25-28	COLOR PRESET 07
			29-32	COLOR PRESET 08
			33-36	COLOR PRESET 09
			37-40	COLOR PRESET 10
			41-44	COLOR PRESET 11
			45-48	COLOR PRESET 12
			49-52	COLOR PRESET 13
			53-56	COLOR PRESET 14
			57-60	COLOR PRESET 15
			61-64	COLOR PRESET 16
			65-68	COLOR PRESET 17
			69-72	COLOR PRESET 18
			73-76	COLOR PRESET 19
			77-80	COLOR PRESET 20
			81-84	COLOR PRESET 21
			85-88	COLOR PRESET 22
			89-92	COLOR PRESET 23
			93-96	COLOR PRESET 24
			97-100	COLOR PRESET 25
			101-104	COLOR PRESET 26
			105-108	COLOR PRESET 27
			109-112	COLOR PRESET 28
			113-116	COLOR PRESET 29
			117-120	COLOR PRESET 30
121-124	COLOR PRESET 31			
125-128	COLOR PRESET 32			

ELATION® ZCL 360i™			
DMX Channel Values / Functions Version (20 DMX Channels)			
Supports Software Versions: ≥ 1.08			
Features are subject to change without any prior written notice.			
*Rotation direction (Clockwise or Counterclockwise) of effects depends on orientation of the fixture head and Pan/Tilt settings.			
MODE / CHANNEL			FUNCTION
BASIC	STAND	EXTEND	
9	9	11	COLOR PRESETS [continued]
			129-132 COLOR PRESET 33
			133-136 COLOR PRESET 34
			137-140 COLOR PRESET 35
			141-144 COLOR PRESET 36
			145-148 COLOR PRESET 37
			149-152 COLOR PRESET 38
			153-156 COLOR PRESET 39
			157-160 COLOR PRESET 40
			161-164 COLOR PRESET 41
			165-168 COLOR PRESET 42
			169-172 COLOR PRESET 43
			173-176 COLOR PRESET 44
			177-180 COLOR PRESET 45
			181-184 COLOR PRESET 46
			185-188 COLOR PRESET 47
			189-192 COLOR PRESET 48
			193-196 COLOR PRESET 49
			197-200 COLOR PRESET 50
			201-204 COLOR PRESET 51
			205-208 COLOR PRESET 52
			209-212 COLOR PRESET 53
			213-216 COLOR PRESET 54
			217-220 COLOR PRESET 55
			221-224 COLOR PRESET 56
			225-228 COLOR PRESET 57
			229-232 COLOR PRESET 58
			233-236 COLOR PRESET 59
237-240 COLOR PRESET 60			
241-244 COLOR PRESET 61			
245-248 COLOR PRESET 62			
249-252 COLOR PRESET 63			
253-255 COLOR PRESET 64			

ELATION® ZCL 360i™				
DMX Channel Values / Functions Version (20 DMX Channels)				
Supports Software Versions: ≥ 1.08				
Features are subject to change without any prior written notice.				
<i>*Rotation direction (Clockwise or Counterclockwise) of effects depends on orientation of the fixture head and Pan/Tilt settings.</i>				
MODE / CHANNEL			VALUE	FUNCTION
BASIC	STAND	EXTEND		
10	10	12		SHUTTER / STROBE
			0-31	LED OFF
			32-63	LED ON
			64-95	Strobe Effect SLOW to FAST
			96-127	LED ON
			128-159	Pulse Effect in Sequences
			160-223	Random Strobe Effect SLOW to FAST
			224-255	LED ON
11	11	13		DIMMER INTENSITY
			0-255	Dimmer 0 to 100%
	12	14		DIMMER INTENSITY FINE
			0-255	Dimmer FINE Adjustment
12	13	15		ZOOM
			0-255	Zoom 0% (5 Degrees) to 100% (50 Degrees)
13	14	16		PROGRAM MACROS
			0	NO FUNCTION
			1-20	COLOR MACRO 01
			21-40	COLOR MACRO 02
			41-60	COLOR MACRO 03
			61-80	COLOR MACRO 04
			81-100	COLOR MACRO 05
			101-120	COLOR MACRO 06
			121-140	COLOR MACRO 07
			141-160	COLOR MACRO 08
			161-180	COLOR MACRO 09
			181-200	COLOR MACRO 10
			201-230	COLOR MACRO 11
			231-240	COLOR MACRO 12
			241-250	COLOR MACRO 13
251-255	GRADIENT COLOR MACRO			
14	15	17		PROGRAM MACRO SPEED
			0-125	Counter-Clockwise Movement FAST to SLOW
			126-130	STOP
			131-255	Clockwise Movement SLOW to FAST
15	16	18		PROGRAM MACRO FADE
			0-255	0-100%

ELATION® ZCL 360i™				
DMX Channel Values / Functions Version (20 DMX Channels)				
Supports Software Versions: ≥ 1.08				
Features are subject to change without any prior written notice.				
*Rotation direction (Clockwise or Counterclockwise) of effects depends on orientation of the fixture head and Pan/Tilt settings.				
MODE / CHANNEL			VALUE	FUNCTION
BASIC	STAND	EXTEND		
	17	19		<b>DIMMING CURVE MODES</b>
			0-20	STANDARD
			21-40	STAGE
			41-60	TV
			61-80	ARCHITECTURAL
			81-100	THEATRE
			101-255	Default to Unit Setting
	16	18		<b>PAN / TILT MOVEMENT SPEED</b>
			0-225	MAX to MIN SPEED
			226-235	Blackout By Movement
			236-255	NO FUNCTION
	17	19		<b>LAMP ON/OFF, RESET, INTERNAL PROGRAMS</b>
			0-79	Normal
			80-84	ALL Motor Reset
			85-99	NO FUNCTION
			100-119	Internal Program 1 (scene1~8)
			120-139	Internal Program 2 (scene9~16)
			140-159	Internal Program 3 (scene17~24)
			160-179	Internal Program 4 (scene25~32)
			180-199	Internal Program 5 (scene33~40)
			200-219	Internal Program 6 (scene41~48)
			220-239	Internal Program 7 (scene49~56)
			240-255	NO FUNCTION

## ERROR CODES

When power is applied, the unit will automatically enter a “**Motor Reset**” mode, which brings all the internal motors to a home position. If there is an internal problem with one or more of the motors, an error code (see below) will flash on the control display.

ERROR CODE	DESCRIPTION
<b>TILT Er</b>	The TILT movement is not located in the default position after the reset. This message will appear after a fixture reset if the magnetic-indexing circuit malfunctions (sensor failed or magnet is missing) or there is a motor failure (defective motor or defective motor IC drive on main PCB). This error may also be displayed if the head was blocked during a reset function
<b>PAN Er</b>	The PAN movement is not located in the default position after the reset. This message will appear after a fixture reset if the magnetic-indexing circuit malfunctions (sensor failed or magnet is missing) or there is a motor failure (defective motor or a defective motor IC drive on the main PCB). This error may also be displayed if the head/yoke was blocked during a reset function.



## CLEANING AND MAINTENANCE



**C A U T I O N**

**Disconnect power before cleaning or maintenance.**

### CLEANING

Frequent cleaning is recommended to insure proper function, optimized light output, and an extended life. The frequency of cleaning depends on the environment in which the fixture operates: damp, smoky or particularly dirty environments can cause greater accumulation of dirt on the fixture's optics.

- Clean the external lens surface at least every 20 days with a soft cloth to avoid dirt/debris accumulation.
- Never use alcohol, solvents, or ammonia based cleaners.

### MAINTENANCE

Regular inspections are recommended to insure proper function and extended life. There are no user serviceable parts inside this fixture, please refer all other service issues to an authorized Elation service technician. Should you need any spare parts, please order genuine parts from your local Elation dealer.

Please refer to the following points during routine inspections:

- A detailed electric check by an approved electrical engineer every three months, to make sure the circuit contacts are in good condition and prevent overheating.
- Be sure all screws and fasteners are securely tightened at all times. Loose screws may fall out during normal operation resulting in damage or injury as larger parts could fall.
- Check for any deformations on the housing, color lenses, rigging hardware and rigging points (ceiling, suspension, trussing). Deformations in the housing could allow for dust to enter into the fixture. Damaged rigging points or unsecured rigging could cause the fixture to fall and seriously injure a person(s).
- Electric power supply cables must not show any damage, material fatigue or sediments. Never remove the ground prong from the power cable.

## TECHNICAL SPECIFICATIONS

### SOURCE

90W RGBW 4-in-1 LEDs

100,000 Hour Average Lamp Life\*

\*May vary depending on several factors including but not limited to:  
Environmental Conditions, Power/Voltage, Usage Patterns (On-Off Cycling), Control, and Dimming.

### EFFECTS

RGBW Color Mixing

Electronic Strobe and Dimming (0% - 100%)

Variable Dimming Curves

### COLOR

RGBW

### CONTROL / CONNECTIONS

(3) DMX Channel Modes (17 / 19 / 21)

RDM (Remote Device Management)

(7) Button Touch Control Panel

Full Color 180° Reversible LCD Menu Display

8 / 16 Bit Resolution Adjustable Movement

5pin DMX In/Out

RJ45 Ethernet In/Out (KlingNET™ / Art-NET)

Power In/Out

### SIZE / WEIGHT

Length: 8.74" (222.1mm)

Width: 7.31" (186mm)

Vertical Height: 13.22" (336mm)

Weight: 13.0 lbs. (5.9 kg)

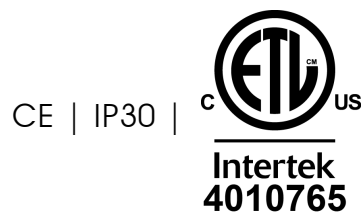
### ELECTRICAL / THERMAL

AC 100-240V - 50/60Hz

101W Max Power Consumption

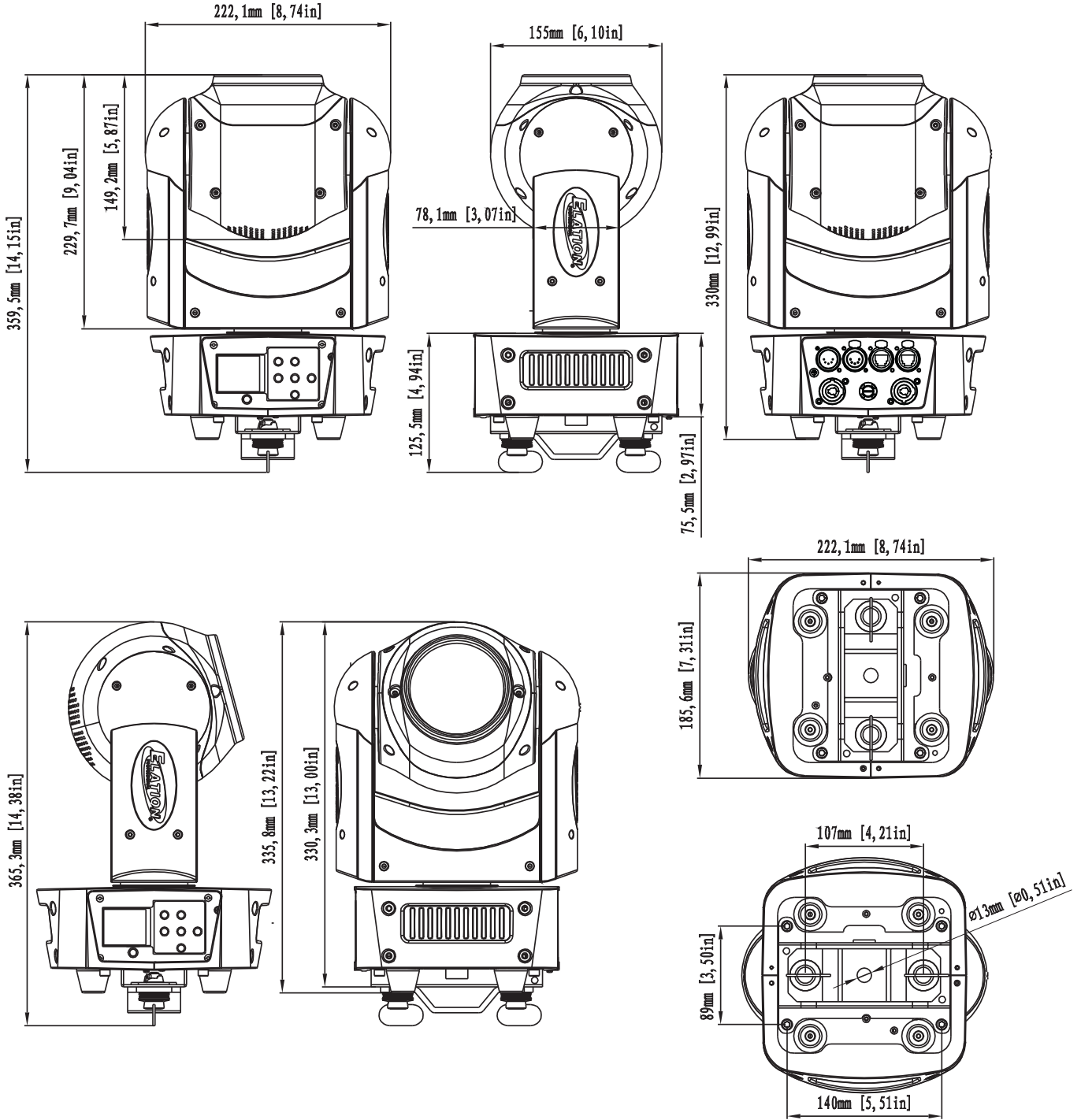
5F to 113°F (-15°C to 45°C)

### APPROVALS / RATINGS



Please Note: Specifications and improvements in the design of this unit and this manual are subject to change without any prior written notice.

**DIMENSIONAL DRAWINGS**



Please Note: Specifications and improvements in the design of this unit and this manual are subject to change without any prior written notice.

## OPTIONAL ACCESSORIES

ORDER CODE	ITEM
TRIGGER CLAMP	Heavy Duty Wrap Around Hook Style Clamp
DRC360I	ZCL 360i 8-Pack Road Case
CAT005	5' (1.5m) CAT6 EtherCON Cable
AC5PDMX5PRO	5 ft. (1.5m) 5pin PRO DMX Cable
PLC3	3 ft. (1m) PRO Link Cable
	Additional Cable Lengths Available

(left blank)

