



## SIXPAR 100™

SKU# SIX037

The new indoor version SIXPAR 100™ features (7) 12W 6-IN-1 RGBAW+UV LEDs, 100,000 average hour LED life, 15° beam and 25° field angles, electronic strobe and dimming (0-100%), 5 variable dimming curve modes, dual yoke / floor stand, multiple unit power linking, RDM (remote device management), rugged die-cast aluminum exterior, flicker free operation for TV and FILM, 89W max power consumption, and a multi-voltage universal auto switching power supply (110-250v).

### FEATURES

#### Indoor Par Up Light

(7) 12W 6-in-1 RGBAW+UV LEDs

100,000 Average Hour LED Life

15° Beam and 25° Field Angles

5 Variable Dimming Curve Modes

Dual Yoke / Floor Stand

Multiple Unit Power Linking

RDM - Remote Device Management

Rugged Die-Cast Aluminum Exterior

Flicker Free Operation for TV and FILM



**PRODUCT SPECIFICATIONS**

**FEATURES**

- 15° Beam 25° Field Angles
- 5 Variable Dimming Curve Modes
- Dual Yoke / Floor Stand
- Multiple Unit Power Linking
- RDM - Remote Device Management
- Rugged Die-Cast Aluminum Exterior
- Flicker Free Operation for TV and FILM

**SOURCE**

- (7) 12W 6-in-1 RGBAW+UV LEDs
- 100,000 Hour Average LED Life

**PHOTOMETRIC DATA**

- 12,850 LUX 1,194 FC @3.3' (1m) (15° Full ON)
- 2,880 LUX 268 FC @6.6' (2m) (15° Full ON)
- 1,401 LUX 130 FC @9.8' (3m) (15° Full ON)
- 848 LUX 79 FC @13.1' (4m) (15° Full ON)
- 571 LUX 54 FC @16.5' (5m) (15° Full ON)

**EFFECTS**

- Electronic Strobe
- Color and Chase Macros
- Electronic Dimming: 0% - 100%
- 5 Variable Dimming Curve Modes

**CONTROL / CONNECTIONS**

- (4) DMX Channel Modes (6 / 7 / 8 / 12)
- (4) Button Touch Control Panel
- LCD Menu Display
- 3pin & 5pin DMX
- Twist Locking Power Cable

**SIZE / WEIGHT**

- Length: 10.1" (257mm)
- Width: 4.9" (125mm)
- Vertical Height: 9.6" (243mm)
- Weight: 7.4 lbs. (3.3 kg)

**ELECTRICAL / THERMAL**

- AC 110-250V - 50/60Hz
- 89W Max Power Consumption
- Power Linking: 12pcs @110V / 25pcs @240V
- 5°F to 113°F (-15°C to 45°C)

**APPROVALS / RATINGS**



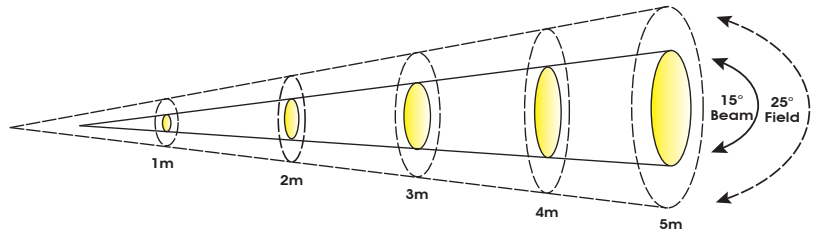
**INSTALLATION**

- Rigging: Integrated Dual Yoke / Floor Stand
- Working Position: Any (360°)

**INCLUDED ITEMS**

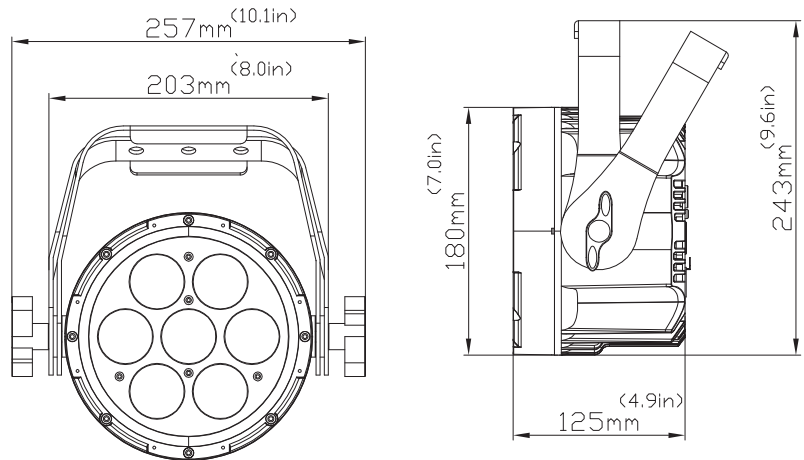
- Twist Locking Power Cable

**PHOTOMETRIC DATA**



Distance	m		ft		m		ft		m		ft	
	1	3.3	2	6.6	3	9.8	4	13.1	5	16.4		
15° Beam Diameter	0.35	1.1	0.54	1.8	0.8	2.6	1.05	3.4	1.32	4.3		
25° Field Diameter	0.45	1.5	0.88	2.9	1.33	4.4	1.77	5.8	2.21	7.3		
	<b>lux</b>	<b>fc</b>	<b>lux</b>	<b>fc</b>	<b>lux</b>	<b>fc</b>	<b>lux</b>	<b>fc</b>	<b>lux</b>	<b>fc</b>		
RED LEDs	2,160	201	545	51	249	23	116	11	83	8		
GREEN LEDs	4,180	388	1,055	98	484	45	235	22	174	16		
BLUE LEDs	4,670	434	1,205	112	545	51	284	26	190	18		
WHITE LEDs	4,160	386	1,012	94	487	45	271	25	174	16		
AMBER LEDs	1,590	148	376	35	172	16	93	9	61	6		
UV LEDs	985	92	247	23	175	16	63	6	43	4		
FULL ON	12,850	1194	2,880	268	1,401	130	848	79	571	53		

**DIMENSIONAL DIAGRAMS**



**OPTIONAL ACCESSORIES**

ORDER CODE	ITEM
TRIGGER CLAMP	Heavy Duty Wrap Around Hook Style Clamp
SIXPAR100/GFH	Gel Frame and Holder Kit
SIXPAR/BD100	Barn Door (Gel Frame Holder Kit Required - Not Included)
LSF536	Light Shaping Filter 30° 20" x 24" Sheet
LSF537	Light Shaping Filter 20° 20" x 22" Sheet
LSF538	Light Shaping Filter 60° x 1° 20" x 24" Sheet
LSF559	Light Shaping Filter 10° 20" x 24" Sheet
EWDMXSYSTEM	Wireless DMX System (1 Transmitter, 1 Receiver)
EWDMXT	Wireless DMX Transmitter
EWDMXR	Wireless DMX Receiver
PLC3	3' (1m) Locking Link Cable
AC3PDMX5PRO	5 ft. (1.5m) 3pin PRO DMX Cable
AC5PDMX5PRO	5 ft. (1.5m) 5pin PRO DMX Cable
	Additional Cable Lengths Available

