

FUZE PAR 175™



The **FUZE PAR Z175™** is a single source par with zoom. Featuring a 175W RGBW COB LED engine, 8° to 35° motorized zoom, an advanced cooling system, smooth RGBW color mixing, 64 color presets and 14 unique color macros, electronic strobe and 16-bit variable dimming curve modes, flicker free operation for TV and FILM, 3/5pin DMX and Locking Power Cable in/out connections, (4) button LCD control display panel, integrated dual rigging yokes, and a multi-voltage universal auto switching power supply (100-240v). Gel frame and barn doors included.

FEATURES

- Single Source Par
- 175W RGBW COB LED Engine
- 8° to 35° Motorized Zoom
- Advanced Cooling System
- Smooth RGBW Color Mixing
- Variable 16-Bit Dimming Curve Modes
- Flicker Free Operation for TV and FILM
- Gel Frame and Barn Doors Included



PRODUCT SPECIFICATIONS

SOURCE

175W RGBW COB LED
50,000 Hour Average LED Life*

*May vary depending on several factors including but not limited to:
Environmental Conditions, Power/Voltage, Usage Patterns (On-Off Cycling),
Control and Dimming.

PHOTOMETRIC DATA

15,026 LUX 1396 FC @6.6 ft (2m) (Full ON 8°)
3,481 LUX 323 FC @6.6 ft (2m) (Full ON 35°)

EFFECTS

8° - 35° Motorized Zoom
64 Color Presets and Color Macro Programs
Electronic Strobe
16-bit Variable Dimming Curve Modes

COLOR

RGBW

CONTROL / CONNECTIONS

12 DMX Channel Modes (14 Total Channels)
4 Button Control Panel and LCD Menu Display
RDM (Remote Device Management)
5pin DMX and Locking Power Cable In/Out
With Wired Digital Communication Network

SIZE / WEIGHT

Length: 18.2" (462.9mm)
Width: 16.18" (411mm)
Vertical Height: 16.95" (430.8mm)
Weight: 20.0 lbs. (9.07kg)

ELECTRICAL / THERMAL

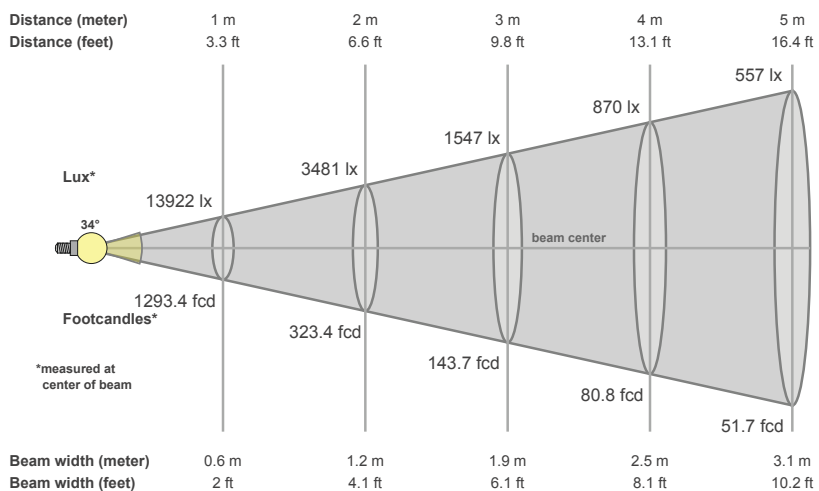
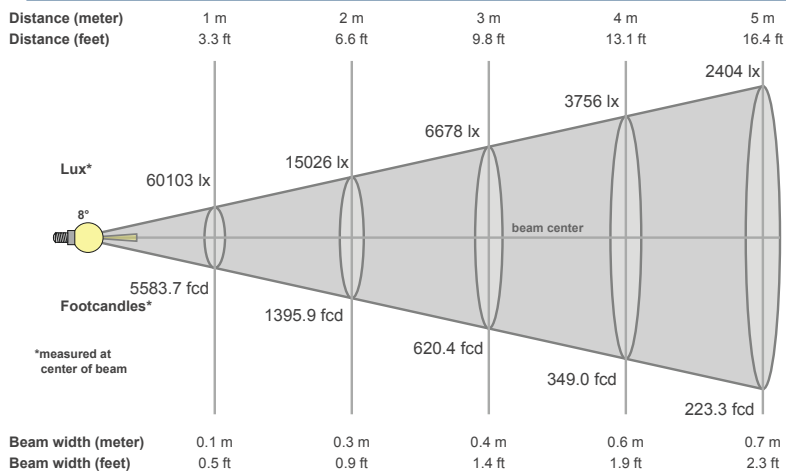
AC 100-240V - 50/60Hz
200W Max Power Consumption
Multiple Unit Power Linking
5°F to 113°F (-15°C to 45°C)

APPROVALS / RATINGS

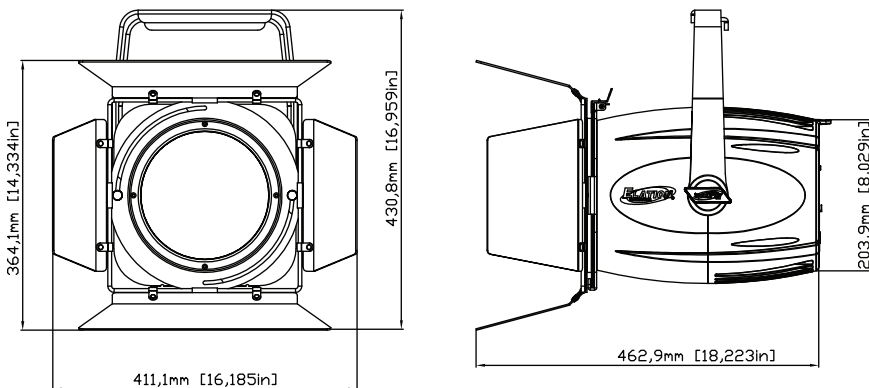
CE | cETLus | IP30



PHOTOMETRICS



DIMENSIONAL DIAGRAMS



ORDERING INFORMATION

FUZ059	FUZE WASH 575
TRIGGER CLAMP	Heavy Duty Wrap Around Hook Style Clamp
AC3PDMX5PRO	5 ft. (1.5m) 3pin PRO DMX Cable (Additional cable lengths available)
AC5PDMX5PRO	5 ft. (1.5m) 5pin PRO DMX Cable (Additional cable lengths available)
PLC2	Power Link Cable Link Cable

