

MAGNAMATIC

CRISP



User Manual

SKU#: PSC001
UPC#: 810008260913



©2023 **MAGMATIC EFFECTS** all rights reserved. Information, specifications, diagrams, images, and instructions herein are subject to change without notice. **MAGMATIC EFFECTS** logo and identifying product names and numbers herein are trademarks of **MAGMATIC EFFECTS**. Copyright protection claimed includes all forms and matters of copyrightable materials and information now allowed by statutory or judicial law or hereinafter granted. Product names used in this document may be trademarks or registered trademarks of their respective companies and are hereby acknowledged. All non-ELATION brands and product names are trademarks or registered trademarks of their respective companies.

MAGMATIC EFFECTS and all affiliated companies hereby disclaim any and all liabilities for property, equipment, building, and electrical damages, injuries to any persons, and direct or indirect economic loss associated with the use or reliance of any information contained within this document, and/or as a result of the improper, unsafe, insufficient and negligent assembly, installation, rigging, and operation of this product.

MAGMATIC EFFECTS | 6122 S. Eastern Ave. | Los Angeles, CA. 90040
 323-582-3322 | 323-832-9142 fax | www.elationlighting.com | sales@magneticeffects.com

Elation Professional B.V. | Junostraat 2 | 6468 EW Kerkrade, The Netherlands
 +31 45 546 85 66 | +31 45 546 85 96 fax | www.elationlighting.eu | info@elationlighting.eu

Elation Professional Mexico | AV Santa Ana 30 | Parque Industrial Lerma, Lerma, Mexico 52000
 +52 (728) 282-7070



DOCUMENT VERSION

Date	Document Version	Software Version ≥	DMX Channel Mode	Notes
03/04/20	1	1.0	1 / 3 / 5 channels	Initial Release
10/29/20	2	1.0	1 / 3 / 5 channels	Updated Specifications
12/16/20	3	1.0	1 / 3 / 5 channels	Added FCC Statements
04/26/22	4	1.1	1 / 3 / 5 channels	Updated Safety Guidelines, Overview, System Menu, Cleaning, Dimensional Drawings, & Specifications; added Fuse Replacement
07/18/22	5	N/C	No Change	Updated approvals/ratings
12/29/22	6	N/C	No Change	Added RDM
01/17/23	7	N/C	No Change	Updated specifications
02/20/23	8	N/C	No Change	Added Remote Control, Specifications

CONTENTS

General Information	4
Limited Warranty (USA Only)	5
Warranty Returns (USA Only)	6
Safety Guidelines	7
Overview	10
Operation	11
Remote Control	12
Remote Device Management (RDM)	13
Control Panel	14
System Menu	15
Message Icons	17
DMX Channel Functions & Values	18
Dimensional Drawings	19
Trouble Shooting Cleaning & Maintenance Fuse Replacement	20
Specifications	21
FCC Statement	22

GENERAL INFORMATION

INTRODUCTION

Please read and understand the instructions in this manual carefully and thoroughly before attempting to operate this device. These instructions contain important safety and use information.

This product is intended to be used by professionally trained personnel only and is not suitable for private use.

UNPACKING

Every device has been thoroughly tested and has been shipped in perfect operating condition. Carefully check the shipping carton for damage that may have occurred during shipping. If the carton is damaged, carefully inspect the device for damage, and be sure all accessories necessary to install and operate the device have arrived intact. In the event damage has been found or parts are missing, please contact our customer support team for further instructions. Please do not return this device to your dealer without first contacting customer support. Please do not discard the shipping carton in the trash. Please recycle whenever possible.

BOX CONTENTS

Locking Power Cable

CUSTOMER SUPPORT

Contact **MAGMATIC customer service** for any product related service and support needs. Also visit forums.elationlighting.com with questions, comments or suggestions.

ELATION SERVICE USA - Monday - Friday 8:00am to 4:30pm PST
323-582-3322 | Fax 323-832-9142 | sales@magneticeffects.com

ELATION SERVICE EUROPE - Monday - Friday 08:30 to 17:00 CET
+31 45 546 85 63 | Fax +31 45 546 85 96 | support@elationlighting.eu

REPLACEMENT PARTS please visit parts.elationlighting.com



IMPORTANT NOTICE!

THERE ARE NO USER SERVICEABLE PARTS INSIDE THIS UNIT. DO NOT ATTEMPT ANY REPAIRS YOURSELF; DOING SO WILL VOID YOUR MANUFACTURER'S WARRANTY. DAMAGES RESULTING FROM MODIFICATIONS TO THIS FIXTURE AND/OR THE DISREGARD OF SAFETY INSTRUCTIONS AND GUIDELINES IN THIS MANUAL VOID THE MANUFACTURER'S WARRANTY AND ARE NOT SUBJECT TO ANY WARRANTY CLAIMS AND/OR REPAIRS.

LIMITED WARRANTY (USA ONLY)

A. Magmatic Effects hereby warrants, to the original purchaser, Magmatic products to be free of manufacturing defects in material and workmanship for a period of two years (730 days) from the original date of purchase. This warranty excludes all product accessories. This warranty shall be valid only if the product is purchased within the United States of America, including possessions and territories. It is the owner's responsibility to establish the date and place of purchase by acceptable evidence, at the time service is sought.

B. For warranty service, send the product only to the Magmatic Effects factory. All shipping charges must be pre-paid. If the requested repairs or service (including parts replacement) are within the terms of this warranty, Magmatic Effects will pay return shipping charges only to a designated point within the United States. If any product is sent, it must be shipped in its original package and packaging material. No accessories should be shipped with the product. If any accessories are shipped with the product, Magmatic Effects shall have no liability what so ever for loss and/or or damage to any such accessories, nor for the safe return thereof.

C. This warranty is void if the product serial number and/or labels are altered or removed; if the product is modified in any manner which Magmatic Effects concludes, after inspection, affects the reliability of the product; if the product has been repaired or serviced by anyone other than the Magmatic Effects factory unless prior written authorization was issued to purchaser by Magmatic Effects; if the product is damaged because not properly maintained as set forth in the product instructions, guidelines and/or user manual.

D. This is not a service contract, and this warranty does not include any maintenance, cleaning or periodic check-up. During the periods as specified above, Magmatic Effects will replace defective parts at its expense, and will absorb all expenses for warranty service and repair labor by reason of defects in material or workmanship. The sole responsibility of Magmatic Effects under this warranty shall be limited to the repair of the product, or replacement thereof, including parts, at the sole discretion of Magmatic Effects. All products covered by this warranty were manufactured after January 1, 1990, and bare identifying marks to that effect.

E. Magmatic Effects reserves the right to make changes in design and/or performance improvements upon its products without any obligation to include these changes in any products theretofore manufactured.

F. No warranty, whether expressed or implied, is given or made with respect to any accessory supplied with the products described above. Except to the extent prohibited by applicable law, all implied warranties made by Magmatic Effects in connection with this product, including warranties of merchantability or fitness, are limited in duration to the warranty periods set forth above. And no warranties, whether expressed or implied, including warranties of merchantability or fitness, shall apply to this product after said periods have expired. The consumer's and/or dealer's sole remedy shall be such repair or replacement as is expressly provided above; and under no circumstances shall Magmatic Effects be liable for any loss and/or damage, direct and/or consequential, arising out of the use of, and/or the inability to use, this product.

G. This warranty is the only written warranty applicable to Magmatic Effects products and supersedes all prior warranties and written descriptions of warranty terms and conditions heretofore published.

WARRANTY RETURNS (USA ONLY)

To obtain warranty service, a Return Materials Authorization (RMA) number must first be obtained from MAGMATIC. It is the Customer's responsibility to provide product proof of purchase and serial number by acceptable evidence such as an invoice copy or an approved MAGMATIC Extended Warranty Certificate ("EWC") and any relevant maintenance records at the time warranty service is sought. Failure to provide acceptable evidence of product proof of purchase or EWC and any relevant maintenance records may be cause for denial of warranty service.

Products returned for warranty service must be sent without any accessories (i.e., power, data, and safety cables, brackets, clamps, rigging hardware, frost filters, gel frames, barn doors, lens, hoses, nozzles, rack mounting hardware, etc.), must be boxed using the original and/or suitable packaging materials (double-box and foam) that provides ample product protection for ground and/or air freight transit, and must be shipped freight pre-paid and insured to MAGMATIC in Los Angeles, CA or an MAGMATIC Authorized Service Center. The RMA number must be clearly written on the outside of the return box, and a brief description of the problem and the RMA number must be documented and included in the box.

Products returned for warranty service without an RMA number clearly marked on the outside of the package will be refused and returned to the shipper at the Customer's expense. Products returned for warranty service, which are received damaged due to inadequate and/or improper packaging and/or due to damage caused by shipping carrier, may incur additional repair charges before warranty service begins and/or may void this warranty. If any product accessories (included and/or optional) are shipped with the product, MAGMATIC and/or the MAGMATIC Authorized Service Center shall have no liability what so ever for the loss and/or damage to any such accessories, nor the safe return thereof. If the requested warranty repairs or service (including parts replacement) are within the terms of this warranty, MAGMATIC will pay return ground transportation shipping charges to a single designated point within the United States.

SAFETY GUIDELINES

To guarantee a smooth operation, it is important to follow all instructions and guidelines in this manual. MAGMATIC is not responsible for injury and/or damages resulting from the misuse of these devices due to the disregard of the information printed in this manual. Only qualified and/or certified personnel should perform installation of these devices and only the original rigging parts included with these devices should be used for installation. Any modifications to these devices and/or the included mounting hardware will void the original manufacturer's warranty and increase the risk of damage and/or personal injury.



PROTECTION CLASS 1 – DEVICES MUST BE PROPERLY GROUNDED



THERE ARE NO USER SERVICEABLE PARTS INSIDE THESE DEVICES. DO NOT ATTEMPT ANY REPAIRS YOURSELF; DOING SO WILL VOID YOUR MANUFACTURER'S WARRANTY. DAMAGES RESULTING FROM MODIFICATIONS TO THESE DEVICES AND/OR THE DISREGARD OF SAFETY INSTRUCTIONS AND GUIDELINES IN THIS MANUAL VOID THE MANUFACTURER'S WARRANTY AND ARE NOT SUBJECT TO ANY WARRANTY CLAIMS AND/OR REPAIRS.



**DO NOT PLUG THIS UNIT INTO A DIMMER PACK!
DO NOT REMOVE THE COVER UNDER ANY CONDITIONS!
KEEP UNIT UPRIGHT!
NEVER OPERATE THIS UNIT WITH THE COVER REMOVED!
UNPLUG POWER DURING LONG PERIODS OF NON-USE
ENSURE TANK AND COOLER ARE EMPTY BEFORE STORAGE OR TRANSPORT!
DO NOT MOVE UNIT WHEN FILLED WITH WATER AND ICE!
DISCONNECT POWER BEFORE ADDING WATER OR PERFORMING MAINTENANCE!**



**INDOOR / DRY LOCATIONS USE ONLY!
DO NOT EXPOSE DEVICES TO RAIN AND/OR MOISTURE!
PLACE UNIT IN A WELL VENTILATED AREA.
ALLOW 40" (100CM) ABOVE AND AROUND THE UNIT FOR PROPER VENTILATION**

SAFETY GUIDELINES

IMPORTANT SAFETY INSTRUCTIONS. READ THESE INSTRUCTIONS THOROUGHLY BEFORE USE, AND SAVE THEM FOR FUTURE REFERENCE.

CAUTION:

- Risk of burn, fire, or electric shock.
- For indoor use only.
- Please read the instruction manual carefully before use.
- Do not immerse in liquid.
- Not for space heating use.

WARNING: To prevent risk of personal injury, fire, and electric shock:

- Never leave unit unattended while plugged in. Unplug device when not in use.
- Read all important safety instructions and cautions before attempting to use.
- Connect only to a properly grounded power outlet.
- Place product on a flat, level, HARD surface and connect the cord to prevent the product from tipping or overturning.
- For use in covered areas only! Keep unit dry, and do not expose to rain, moisture, or liquid immersion.
- Leave enough space for adequate ventilation. Keep the device cool and away from other objects.
- Do not operate the device without fog liquid in the reservoir.
- Use caution when filling the fluid reservoir in order to avoid spillage, as spilled liquid can result in electrical shock.
- Do not use if liquid spills into or onto the unit, and allow the device to dry completely before attempting usage.
- Do not overfill the fluid reservoir.
- Keep away from flames and flammable or explosive substances.
- Never pour flammable liquids, such as gas, perfume, etc, into the fog machine.
- Keep the device and fog fluid out of reach of children.
- Use only under adult supervision.
- Do not direct fog output in the direction of people or open flame.
- Stay at least 20 inches (50cm) from the output nozzle on the front of the unit.
- Do not obstruct the output nozzle.
- Do not open the unit for any reason. There are no user serviceable parts inside, and all maintenance and repair procedures should be referred to an authorized vendor or technician.
- Only a certified electrician may replace the power cord.
- Clean the unit prior to storage to avoid damage.

POWER SUPPLY CORD:

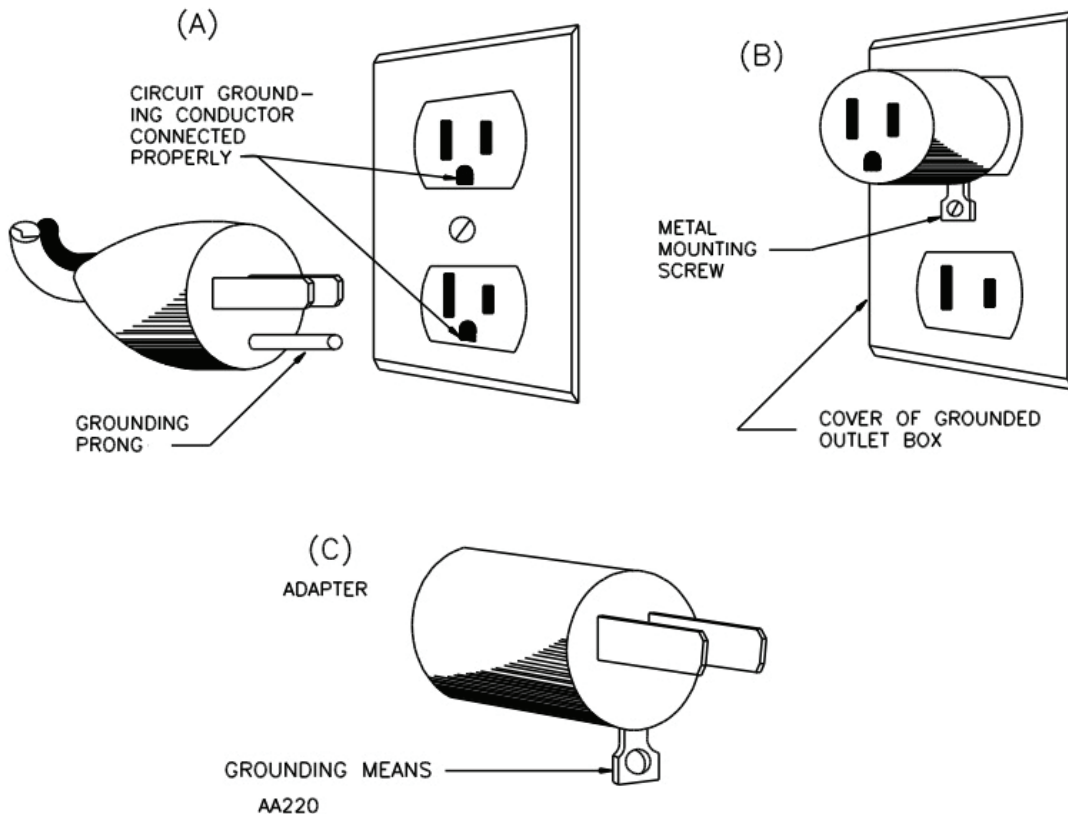
- A short power supply cord (or short detachable power-supply cord) is provided to reduce the risk of a person becoming entangled in or tripping over the cord.
- Extension cords (or long detachable power-supply cords) are available and may be used as long as care is exercised during use.
- If an extension cord (or long detachable power-supply cord) is used, follow the guidelines below:
 1. The indicated electrical rating of the cord should be meet or exceed the rating of the device.
 2. If the device is of the grounded type, the cord must use a grounding type 3-wire cord.
 3. The cord should be routed in such a way as not to cause a tripping hazard or result in unintentional snagging or pulling of the cord, especially in the presence of children.

SAFETY GUIDELINES

DANGER:

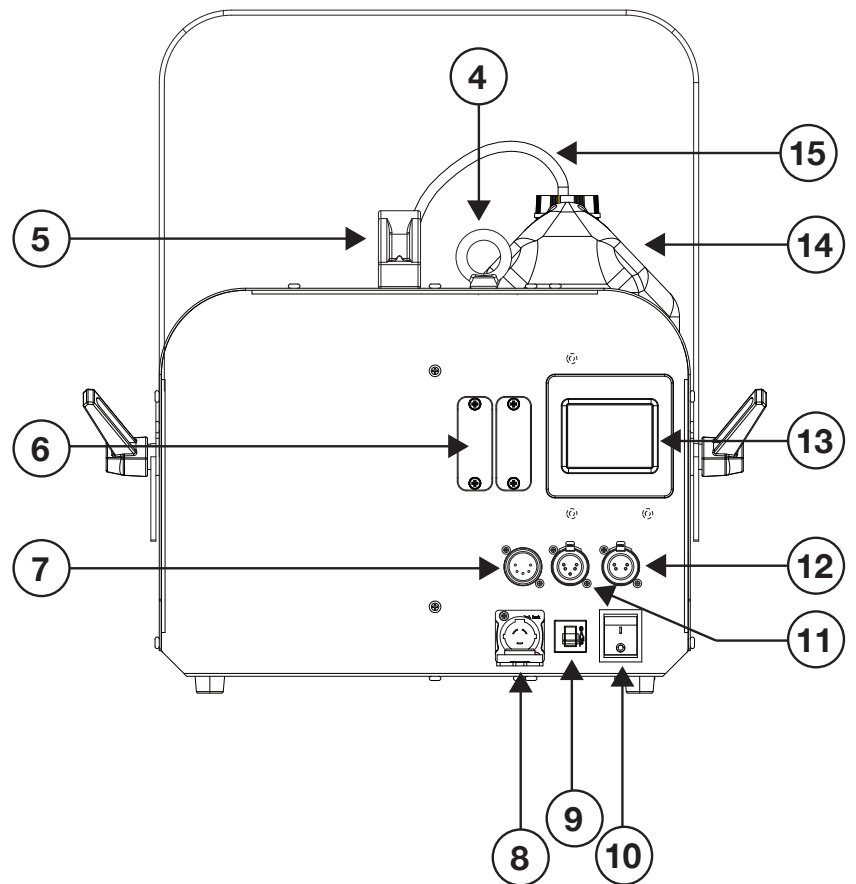
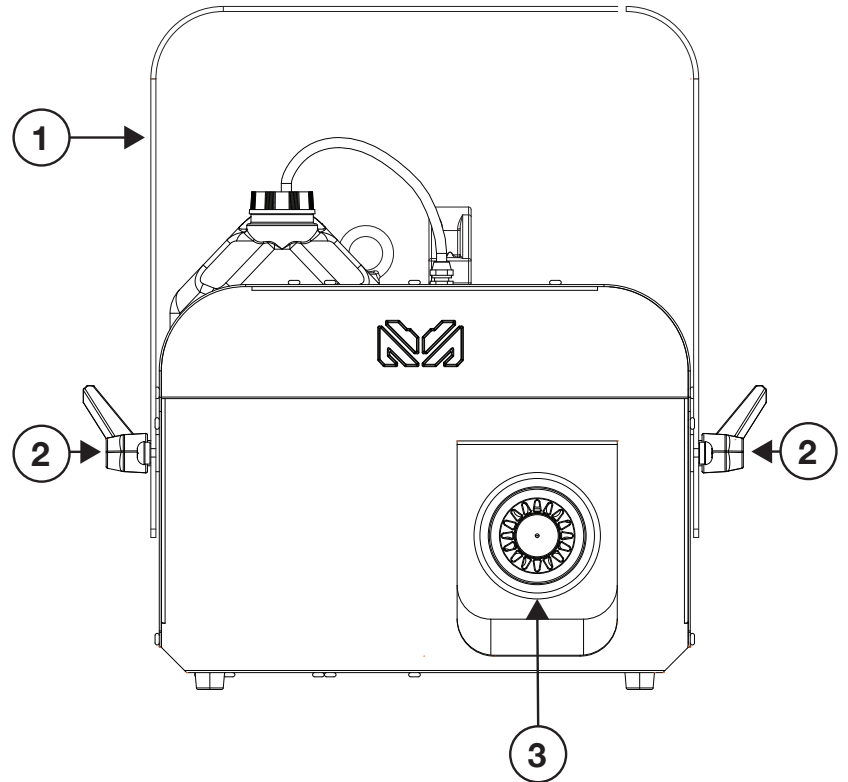
Improper connection of the equipment-grounding conductor can result in a risk of electric shock. The conductor with insulation that is green (with or without yellow stripes) is the equipment-grounding conductor. If the power cord is damaged or in need of replacement or repair, do not connect the equipment-grounding conductor to a live terminal. Check with a qualified electrician or servicetperson if the grounding instructions are unclear to you in any way. Do not modify the plug provided with the appliance. If it will not fit the outlet, it will be necessary to have a proper outlet installed by a qualified technician. This appliance is for use on a nominal 120V circuit, and has a grounding plug that looks like a plug illustrated in Figure A below.

A temporary adaptor, as illustrated in Figure C, may be used to connect this plug to a 2-prong outlet as shown in Figure B if a properly grounded outlet is not available. The temporary adaptor should be used only until a properly grounded, 3-prong outlet can be installed by a qualified electrician. **The green colored rigid ear and lug extending from the adaptor must be connected to a permanent ground, such as properly grounded outlet box cover.** Whenever the adaptor is used, it must be secured in place by the metal screw. A qualified electrician should be consulted if there is any doubt as to whether an outlet is properly grounded.



OVERVIEW

1. Hanging Bracket
2. Bracket Knobs
3. Output Nozzle
4. Safety Cable Attachment Point
5. Carrying Handle
6. Card Inputs
7. Locking 5-Pin XLR Connector In
8. Locking Power Cable Input
9. Breaker
10. Power Switch
11. Locking 5-Pin XLR Connector Out
12. Remote Control Connection
13. Touch Screen Display
14. Fluid Reservoir
15. Fluid Feeder Line



OPERATION

1. Open the shipping carton and carefully remove the unit and all included items from the shipping carton.
2. Be sure to remove all the packing material especially around the nozzle.
3. Set the machine on a flat dry surface. Remove the fluid reservoir cap and carefully fill the snow fluid reservoir with Atmosity Premium Snow Fluid. Once the fluid tank is filled, replace and tighten the reservoir cap.
4. Connect the unit to a matching power supply and put the power switch into the "ON" position.
5. To emit snow, select your desired operating mode using the touch screen display. See the **Control Panel** and **System Menu** sections of this manual for details.
6. When powering this device down after use, the CLEANING icon will flash on the screen. Do NOT disconnect the device from power while the CLEANING icon is flashing. The device's self-clean cycle must be allowed to finish before power is disconnected. This process should only take about 12 seconds.

REMOTE CONTROL

This unit can be operated using the **MagRemote VIDI** remote control, which is a 4-pin, wired remote that can be used to control the volume, intensity, duration, and interval. Please note that the MagRemote VIDI is a universal remote, and some remote functions may not be applicable to all units.

To operate the device using this remote, simply connect the remote's 4-pin male connector to the matching 4-pin female port on the back of the unit, which is labeled "Remote In." The unit will automatically recognize whether or not the remote has been connected. Available functions are listed below:

Manual Button - Unit outputs when button is pressed, and stops when the button is released. LED illuminates when unit is outputting.

Continuous Button - Unit outputs when button is pressed the first time, and continues to output until the button is pressed again. LED illuminates when unit is outputting.

Timer On/Off Button - Activates or deactivates the timer function. Timer function is adjustable using the interval and duration knobs. LED illuminates when function is activated.

Volume Knob - Adjust the amount of snow output.

Intensity Knob - Adjust the fan speed.

Duration Knob - Adjust the length of time that the unit will produce snow after reaching the current interval time.

Interval Knob - Adjust the length of time before the unit begins to output snow.



REMOTE DEVICE MANAGEMENT (RDM)

NOTE: In order for RDM to work properly, RDM enabled equipment must be used throughout the entire system, including DMX data splitters and wireless systems.

Remote Device Management (RDM) is a protocol that sits on top of the DMX512 data standard for lighting, allowing the DMX systems of the fixtures to be modified and monitored remotely. This protocol is ideal for instances in which a unit is installed in a location that is not easily accessible.

With RDM, the DMX512 system becomes bi-directional, allowing a compatible RDM enabled controller to send out a signal to devices on the wire, as well as allowing the fixture to respond (known as a GET command). The controller can then use its SET command to modify settings that would typically have to be changed or viewed directly via the unit's display screen, including the DMX Address, DMX Channel Mode, and Temperature Sensors.

FIXTURE RDM INFORMATION:

RDM Code	Device Model ID	Personality ID
22A6H	3110	1-ch (1) 3-ch (2) 5-ch (3)

Please be aware that not all RDM devices support all RDM features, and therefore it is important to check beforehand to ensure that the equipment that you are considering includes all of the features that you require.

The following parameters are accessible in RDM on this device:

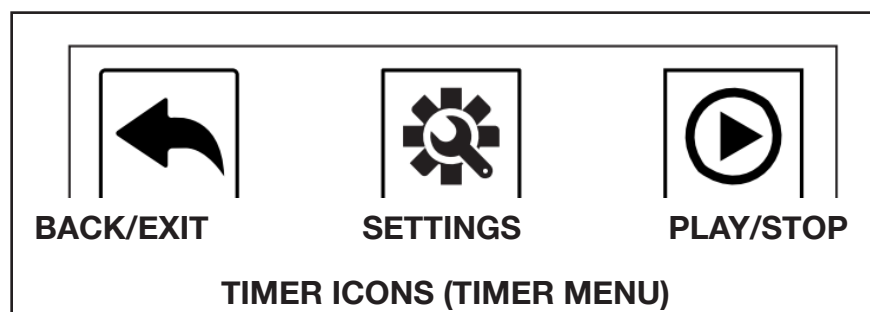
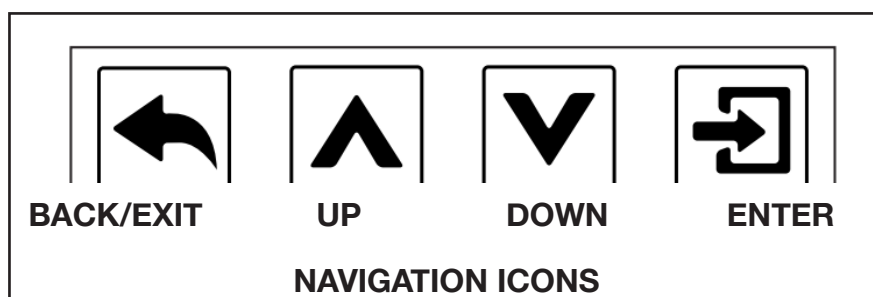
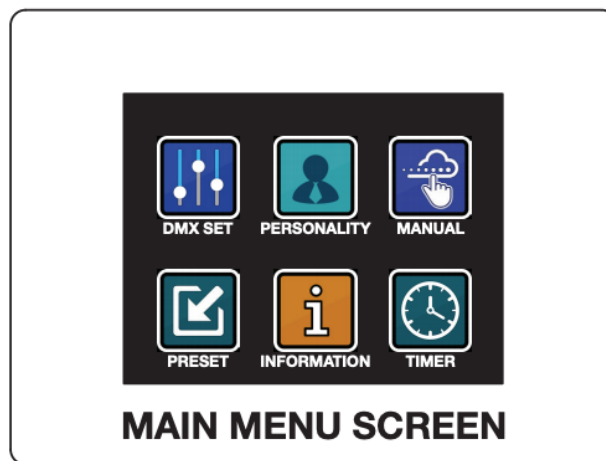
[0x1000] Identify Device
[0x00F0] DMX Start Address
[0x00C0] Software Version Label
[0x0060] Device Info
[0x0080] Device Model Description
[0x0081] Manufacturer Label
[0x0082] Device Label
[0x0050] Supported Parameters
[0x00E1] DMX Personality Description
[0x00E0] DMX Personality
[0x0200] Sensor Definition
[0x0201] Sensor Value

CONTROL PANEL







This fixture includes a system menu with an easy to navigate touch screen control panel where all necessary settings and adjustments are made. When first powering on the fixture, the fixture's main menu will be displayed (**see Main Menu Screen below**).

Press the main menu icon you would like to access. Use the **ENTER** button to access sub menus and use the **UP** and **DOWN** buttons to make adjustments. Press the **ENTER** button to confirm your adjustments. You may exit the main menu at any time without making any adjustments by pressing the **BACK/EXIT** button.



TIMER MENU: The timer sub menu includes snow output adjustment, fan adjustment, duration adjustment, and interval adjustment. To access the **TIMER** adjustment menu, press the **SETTINGS** icon located at the bottom of the screen. Use the **UP** and **DOWN** buttons to make your adjustments and press **ENTER** to confirm. When all settings have been made, press the **PLAY/START** button to begin the timer function.









SYSTEM MENU

	DMX SETUP	DMX Addr	001 - 512	DMX Addressing	
		DMX Mode	1 CH	DMX Channel Mode Selection	
			3 CH		
5 CH					
	PERSONALITY	MagApp Set	MagApp Name	0-XXXX	Displays Wifi Name
			MagApp Passcode	0000000 - 00009999	Wifi Password
			MagApp IP	0-255.0 ~ 255.0 ~ 255.0 ~ 255	Displays Wifi IP
			MagApp Port	0-65535	Network Port
			MagAPP Reset	Complete	Network Connection Reset
				Failed, try again	
		MagApp->DMX & Magfly	On / Off	Magfly Transmit On	
		LCD Set	Screen OFF: Never/10s/40s/1min/2min/5min/10min/20min	Display Blackout Time	
		Magfly Set	Magfly Channel: 0-14	Magfly Channel Setting	
			Magfly: On / Off	Magfly Activation	
		No Fluid	On / Off	Activate/Deactive No Fluid Warning	
		MagRF Learn	Will notify whether MagRF connection is successful after 20s		
		Last State	Yes / No	Activate/Deactive Last State	
Default	Press 'ENTER'	Restore Factory Settings			
	MANUAL	 Snow	1% - 100%	Manual Control	
		 Fan	50% - 100%		
	TIMER	Snow Output	1% - 100%	Snow Output Setting	
		Fan Speed	50% - 100%	Fan Speed Setting	
		Interval	0-2500s	Interval Setting	
		Duration	0-250s	Duration Setting	
CONTINUED ON NEXT PAGE					

SYSTEM MENU

	PRESET	Preset 1 - 10 min duration - 3 min interval - 100% snow - 100% fan		Preset Settings 1 (Not Adjustable)
		Preset 2 - 5 min duration - 2 min interval - 50% snow - 100% fan		Preset Settings 2 (Not Adjustable)
		Preset 3 - 3 min duration - 1 min interval - 30% snow - 100% fan		Preset Settings 3 (Not Adjustable)
		Preset 4 - 5 min duration - 2 min interval - 10% snow - 100% fan		Preset Settings 4 (Not Adjustable)
		Preset 5 - 3 min duration - 1 min interval - 10% snow - 100% fan		Preset Settings 5 (Not Adjustable)
	INFORMATION	State	Normal / Error	Machine Status
		Slot 1	Null / Magfly / MagApp / MagRF	Slot 1 Status
		Slot 2	Null / Magfly / MagApp / MagRF	Slot 2 Status
		Last Control	LCD_auto / LCD_manual / DMX / MagApp / MagRF / MagRemote / Error	Current Control Status
		MagRemote Status	Yes / No	Remote Control Status
		MagApp Connect	Null / Phone / Route / No	Wifi Connection Status
		MagApp IP	No / 0~255, 0~255, 0~255, 0~255	Current Wifi IP Status
		Magfly CH	0-14	Current Magfly Channel Setting
		DMX Addr	1-512	Current DMX Address Setting
		DMX Mode	1 / 3 / 5	Current DMX Ch. Mode Setting
		Timer Output	1% - 100%	Current Timer Output Setting
		Timer Blower	50% / 100%	Current Timer Fan Setting
		Timer Int.	0s - 2500s	Current Timer Interval Setting
		Timer Dur.	0s - 250s	Current Timer Duration Setting
		No Fluid	Normal / Empty	Current Fluid Tank Status
		LCD Ver	V1.5	Current LCD Version
		Sftwr Ver	V1.1	Current Software Version

MESSAGE ICONS

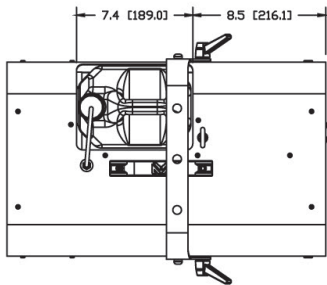
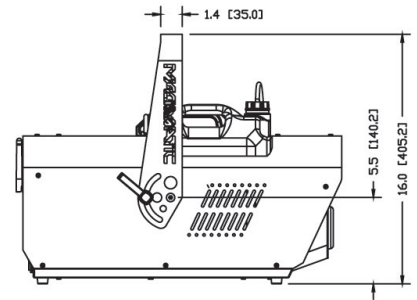
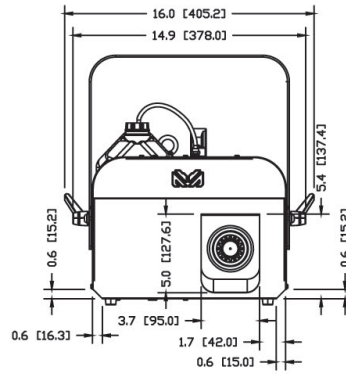
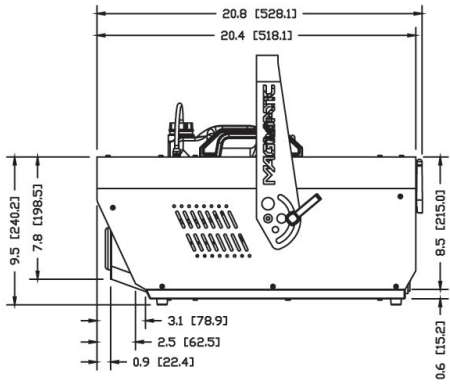
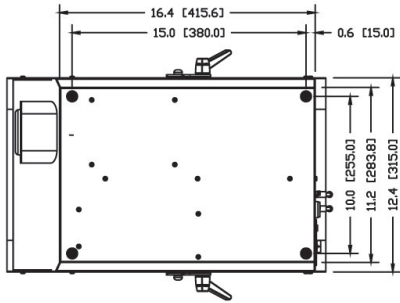
Icon	Description
	Icon appears when MagFly module is connected. 4-bar symbol on the right indicates signal strength, with 0 bars being weakest and 4 bars being strongest.
	Icon appears when MagApp module is connected. 4-bar symbol on the right indicates signal strength, with 0 bars being weakest and 4 bars being strongest.
	Icon appears when MagRF module is connected. Note that the icon will only appear if an RF signal exists.
	Icon appears when MagRemote is connected.
	Icon indicates that the fluid tank is empty, and disappears when fluid is added to the tank.
	Icon appears and flashes during the duration of the 12-second self-cleaning operation.*

***NOTE: WHEN POWERING DOWN THE DEVICE, THE CLEANING ICON WILL FLASH ON THE SCREEN. DO NOT DISCONNECT THE POWER CORD UNTIL THE CLEANING ICON STOPS FLASHING. THE DEVICE MUST BE ALLOWED TO COMPLETE THE SELF-CLEANING PROCEDURE BEFORE POWER IS DISCONNECTED.**

DMX CHANNEL FUNCTIONS & VALUES

CHANNEL			DMX VALUES	FUNCTION
1CH	3CH	5CH		
1				Volume
			000 - 005	Off
			006 - 255	1% - 100%
	1	1		On/Off
			000 - 005	Off
			006 - 255	On
	2	2	000 - 255	Volume, 1% - 100%
	3	3		Fan
			000 - 127	50%
			128 - 255	100%
		4		Duration
			000 - 005	0s
			006 - 255	1s - 250s
		5		Interval
			000 - 005	0s
			006 - 255	10s - 2500s

DIMENSIONAL DRAWINGS



TROUBLE SHOOTING

If you experience low output, pump noise, or no snow output at all, disconnect and discontinue use immediately. Do not attempt to continue to operate as this may damage the machine. Check the fluid level, the breaker, and be sure the wall outlet is sending power. If all of the above appears to be okay, and the unit fails to operate correctly, the unit will require service. Please contact Magmatic Effects.

CLEANING & MAINTENANCE

STORAGE

When storing your snow machine be sure to store it in a cool area. Cover the machine so that dust does not build up on the unit. When storing the machine for long periods of time, it is highly advised to at least run the machine every 2-3 months. Long periods of inactivity can severely shorten the life of your machine.

SNOW FLUID

Only run Atmosity Premium Snow Fluid through your machine. **NEVER** run any other liquid solution through your machine. Running anything other than water based **SNOW** fluid will severely damage your machine.

FUSE REPLACEMENT

If the unit fails to function when connected to the main power supply, check to see whether the fuse has blown.

WARNING: Risk of electric shock and fire. Disconnect from main power supply before attempting to replace fuse.

1. Using a Phillips head screwdriver, remove fuse cover on back of unit. Rotate the fuse cover counter clockwise to remove the fuse and the cover.
2. Remove the blown fuse from the fuse cover.
3. Install a replacement fuse of the same size and rating as the original fuse: 10A, 125V. Place the replacement fuse in the fuse cover, and reinstall by rotating the fuse cover clockwise. Do not over-tighten the fuse cover.

SPECIFICATIONS

KEY FEATURES

High-Powered 1,250W Snow Machine
Lower operating noise for Noise-sensitive environments
Advanced APF (air pump fan) Technology
Auto-Clean Process
Compact Light Weight Robust Design
Onboard LCD Touch Control Panel

Dynamic Effects

Snow Adjustment: 1-100%
Fan Speed Adjustment 50% or 100%
Self-Clean Function
Auto Shut-off
Advanced HPA (High Pressure Air Pump)

Control

2 Card Inputs (For optional Magfly, MagApp & MagRF cards)
RDM (Remote Device Management)
Control Protocol: DMX512
DMX Modes: 3 (1 / 3 / 5)
On-Board Timing Control
5 Factory Presets
4-pin Wired Remote Input
Touch Screen Display
On-Board Manual Snow Trigger

Connections

Data Connectors: 5-pin locking XLR In/Out
4-pin Connector for optional wired remote
Locking Power Connector

Compatible Fluid

Recommended fluid: Atmosity Premium Snow Fluid. APS-1LC (Concentrate = 20L), APS-4LC (Concentrate = 80L), APS-10LC (Concentrate = 200L) APS-4L, APS-20L

Construction / Physical / Performance

Dimensions (LxWxH): 20.81in x 15.94in x 15.95in / 518mm (w/ antenna) x 415mm x 405mm
Weight: 33.5 lbs / 15.2kg
External Visual Fluid Level Detection
Fluid Tank Capacity: 5L
Fluid Consumption: 16.9oz/min / 500ml/min

Electrical

Power Consumption: 1250w
Input Voltage: U.S. Version - 120VAC @ 60Hz and Europe Version - 230 - 240VAC @ 50Hz
Breaker Size: 15A (120V version). Breaker Size: 9A (230-240V version)

Certifications / Qualifications / Thermal

IP Rating: IP20, dry location
Maximum Temperature (Ambient): 104° F (40° C)
Exterior Surface Temperature: 122° F (50° C)

What's Included

Hanging Bracket
14 AWG Locking Power Cable

Optional Accessories

MagFLY Card
MagRF Card

Ratings / Approvals

CE | cETLus | FCC | IP20

Specifications are subject to change without prior notice.



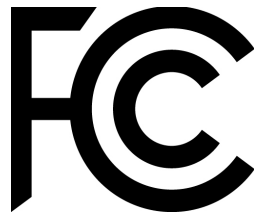
FCC STATEMENT

This device complies with Part 15 of the FCC Rules. Operation is subject to the following two conditions: (1) this device may not cause harmful interference, and (2) this device must accept any interference received, including interference that may cause undesired operation.

FCC RADIO FREQUENCY INTERFERENCE WARNINGS & INSTRUCTIONS

This product has been tested and found to comply with the limits as per Part 15 of the FCC Rules. These limits are designed to provide reasonable protection against harmful interference in a residential installation. This device uses and can radiate radio frequency energy and, if not installed and used in accordance with the included instructions, may cause harmful interference to radio communications. However, there is no guarantee that interference will not occur in a particular installation. If this device does cause harmful interference to radio or television reception, which can be determined by turning the device off and on, the user is encouraged to try to correct the interference by one or more of the following methods:

- Reorient or relocate the device.
- Increase the separation between the device and the receiver.
- Connect the device to an electrical outlet on a circuit different from which the radio receiver is connected.
- Consult the dealer or an experienced radio/TV technician for help.



This page intentionally left blank.

