

Addendum

PV40PK Valves (Mechanism Only)

Description	Item Number
PV40PK Valve (Mechanism Only)	C414-22-100

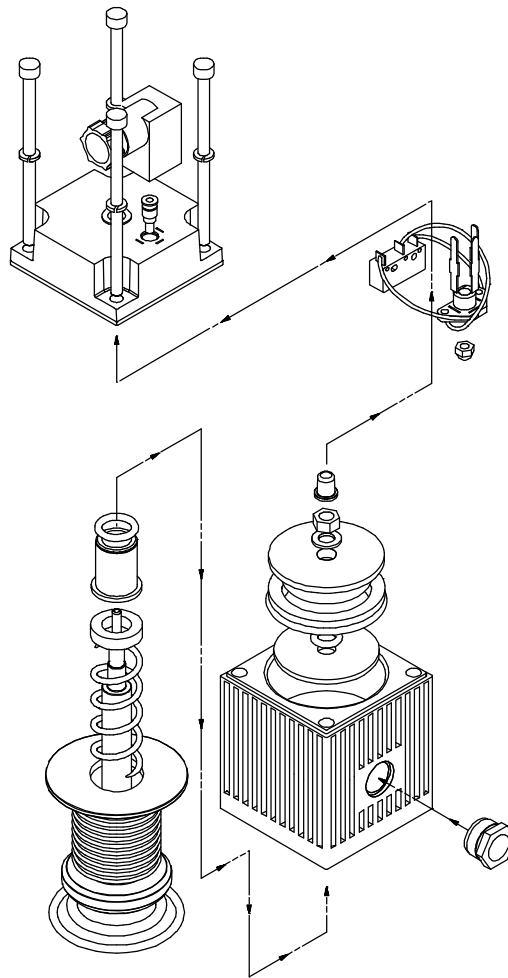


This page has been intentionally left blank.

Introduction

This product C41422100 is the pneumatic operating mechanism from the valve C41422000 and is supplied having been tested with an attached valve body which has been removed prior to packing for shipment. The instructions C41111885 packed with this valve cover all references to technical performance, maintenance, fault finding and safety. For unpacking and installation instructions refer to this instruction.

Figure 1 - Exploded Assembly of C41422100



Installation



WARNING

Take appropriate safety precautions when you install this mechanism in a system in which dangerous process substances have been pumped.

Unpack and Inspect

Remove all the packing materials and check the PV40P mechanism. If it is damaged, notify your supplier and the carrier in writing within three days; state the item number of the unit together with your order number and your suppliers invoice number. Retain the packing materials for inspection. Do not use the mechanism if it is damaged.

The profile to which this mechanism is to be affixed should conform to Figure 2. This gives the most efficient use and the largest conductance values.

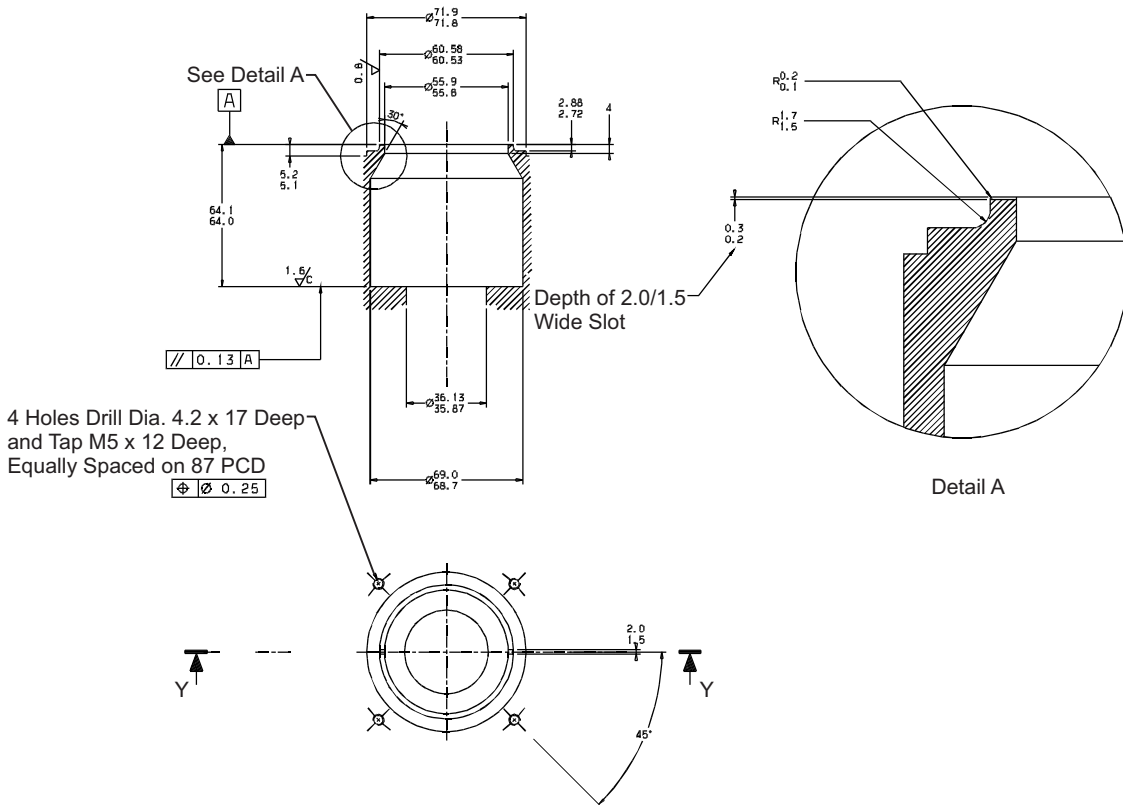
- Remove the four off transit nuts from the valve screws and carefully check the bellows and the two 'O' rings for any minuscule debris which may have been generated by damage to the packaging during transit.
- Remove any debris found by using a blast of clean dry air or nitrogen.
- Fit the body 'O' ring over the spigot on the manifold and gently lower the bellows mechanism into the main orifice ensuring it is located at 90° to the seat.
- Locate the four screws and tighten them until they start to tension the bellows spring. Fully fasten the four screws by gradually tightening them in a 1,3,2,4 order a few turns at a time. Fully tightening the screws singly in one operation could result in the valve pad edge coming into angular contact with the seat and marring its surface finish.
- Connect your air supply to the PVP mechanism and test the operation of the installation.



WARNING

Maximum air pressure to be used is 7 bar.

Figure 2 - Recommended Manifold Profile to Suit C41422100



This page has been intentionally left blank.

This page has been intentionally left blank.

Return the equipment or components for service

Before you send your equipment to us for service or for any other reason, you must send us a completed Declaration of Contamination of Vacuum Equipment and Components - Form HS2. The HS2 form tells us if any substances found in the equipment are hazardous, which is important for the safety of our employees and all other people involved in the service of your equipment. The hazard information also lets us select the correct procedures to service your equipment.

We provide instructions for completing the form in the Declaration of Contamination of Vacuum equipment and Components - Procedure HS1.

If you are returning a vacuum pump, note the following:

- If a pump is configured to suit the application, make a record of the configuration before returning the pump. All replacement pumps will be supplied with default factory settings.
- Do not return a pump with accessories fitted. Remove all accessories and retain them for future use.
- The instruction in the returns procedure to drain all fluids does not apply to the lubricant in pump oil reservoirs.

Download the latest documents from www.edwardsvacuum.com/HSForms/, follow the procedure in HS1, fill in the electronic HS2 form, print it, sign it, and return the signed copy to Edwards.

Note: *If we do not receive a completed HS2 form, we will not accept the return of the equipment.*

