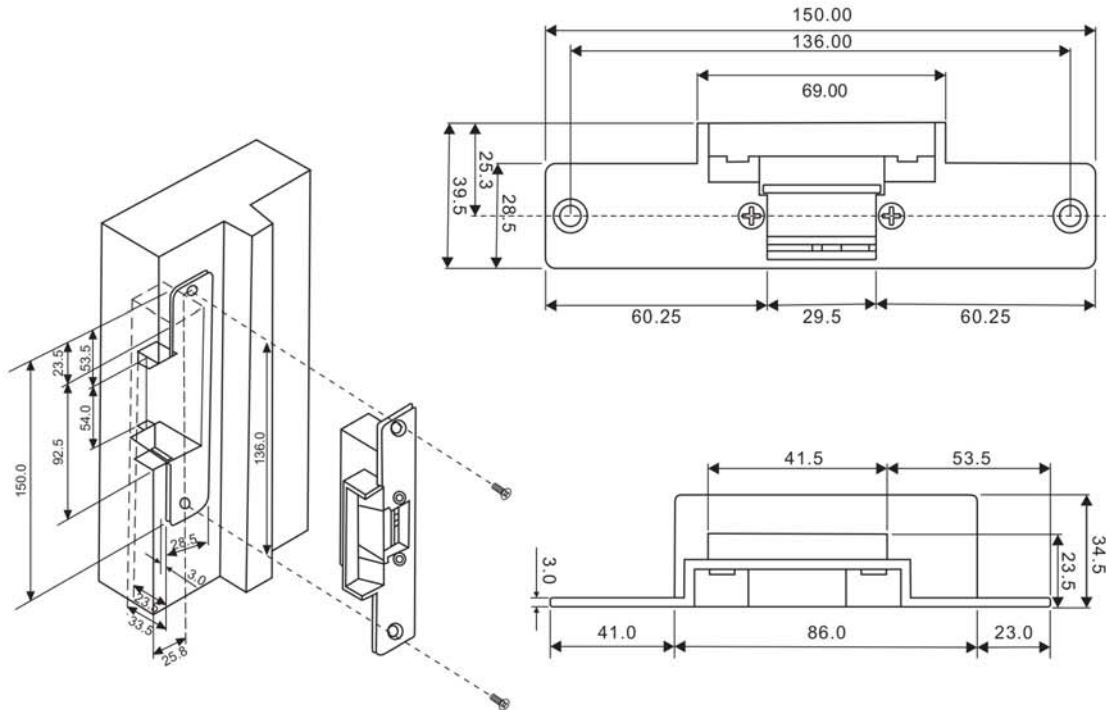


E-EDR-SF / E-EDR-SCR ELECTRIC STRIKE

INSTALLATION



SPECIFICATION

- Face Plate: 150(L) x 39.5(W) x 28(H)mm
- Voltage: 12VDC (Polarity Free)
- Current: 450mA (Fail-Secure)
200mA (Fail-Safe)
- E-EDR-SCR : Fail-Secure — Power to Open
- E-EDR-SF : Fail-Safe — Power to Lock
- Color: Silver