

# 533, 535 SERIES

## Heavy-Duty Vertical Hold Down Clamps | Product Overview

### Features:

- Hardened steel bushings and pivot pins
- Large bar guides for greater lateral support
- Solid clamping bar may be modified to suit application requirements
- DESTACO® Toggle Lock Plus™ (533-LBR)
- 5 handle colors - see page MC-PRO-7 for details

### Applications:

- Welding
- Heavy duty clamping applications

### Also Available:

See page MC-ACC-1 for accessories

**533-L**  
Flanged Base  
Solid Bar



**533-LB**  
Straight Base  
Solid Bar



**533-LBR**  
Straight Base  
Solid Bar  
DESTACO®  
Toggle Lock  
Plus™



**Color Handles**  
Available on models  
in this series that use  
standard red handles.\*  
Add **-Y, -G, -B, -K**  
to end of model number.

\*Excludes Blackout Series,  
Toggle Lock Plus levers  
or dipped handles.



**535-L**  
Flanged Base  
Solid Bar



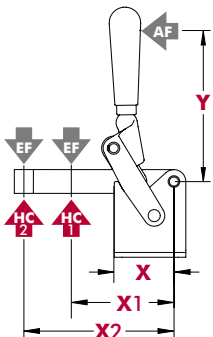
**535-LB**  
Straight Base  
Solid Bar



## Technical Information

Model	Max. Holding Capacity	Clamp Bar Opening (+10°)	Handle Opening (+10°)	Weight	Accessories (Supplied)
					Bolt Retainer
533-L	[1575 lbf] 7000 N	120°	90°	[2.20 lbs] 1,00 kg	533108-M
533-LBR		90°	74°	1,26 kg [2.78 lbs]	
535-L	[2250 lbf] 10000 N	120°	90°	[4.087 lbs] 1,85 kg	535108-M
535-LB					

## Holding Forces



Model	X	X1	X2	Y	±HC1	±HC2	±EF(X1):AF	±EF(X2):AF
533-L	[1.97] 50	[3.25] 82.5	[4.82] 122.5	[5.51] 140	[1575 lbf] 7000 N	[700 lbf] 3100 N	9:1	5:1
535-L	[2.46] 62.5	[4.23] 107.5	[6.20] 157.5	[6.22] 158	[2250 lbf] 10000 N	[1500 lbf] 6600 N	8:1	6:1

Dimensions shown "mm [inch]" ± HC = Holding Capacity, EF = Exerting Force, AF = Applied Force  
See page MC-TEC-4 for additional information.

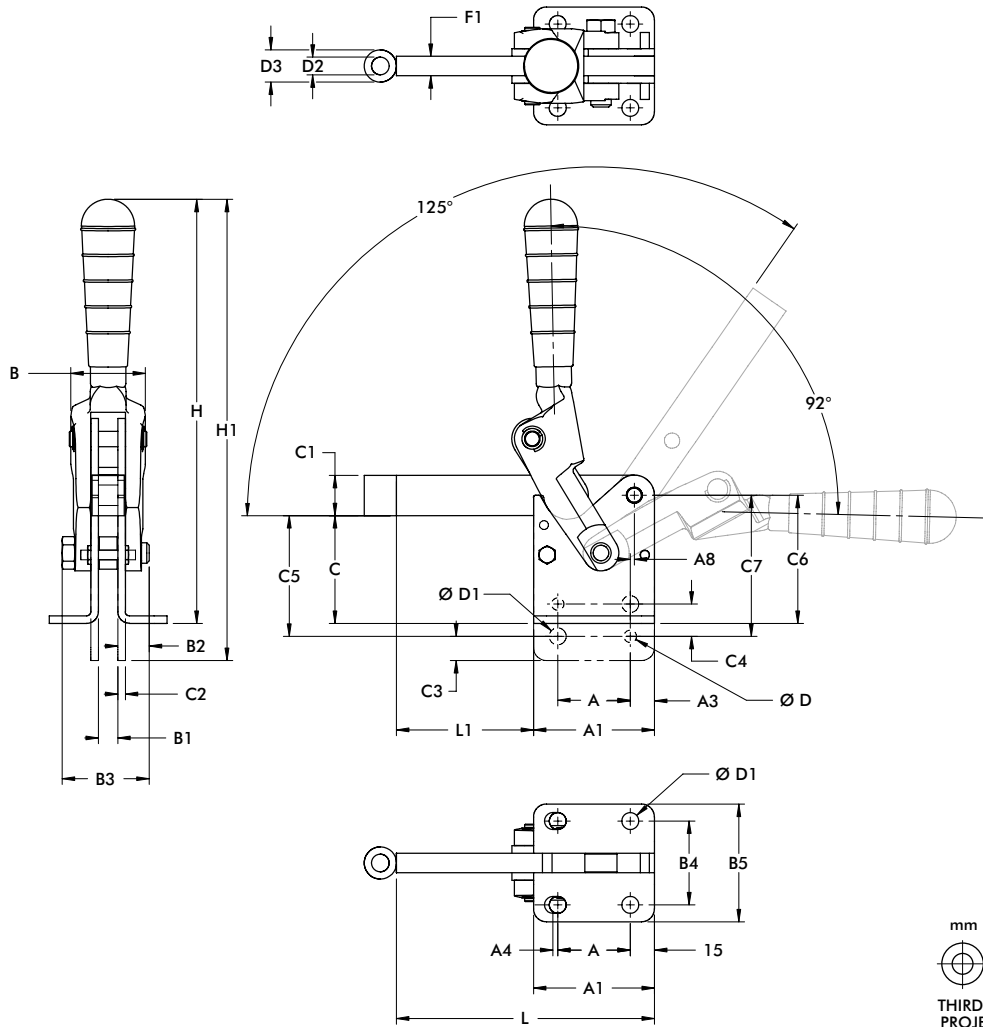
# 533, 535 SERIES

## Heavy-Duty Vertical Hold Down Clamps | Dimensions

**533-L**  
Flanged Base  
Solid Bar



**535-L**  
Flanged Base  
Solid Bar



mm [INCH]  
THIRD ANGLE  
PROJECTION

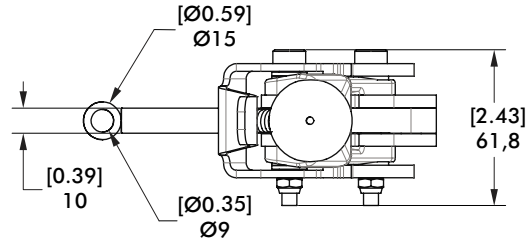
Model	A	A1	A3	A4	A8	B	B1	B2	B3	B4	B5	C	C1	C2
533-L	[1.18] 30	[2.36] 59,9		[0.08] 2	[0.20] 5,1	[1.52] 38,6	[0.39] 9,9	[0.69] 15,5	[1.75] 44,5	[1.77] 45	[2.44] 62	[1.86] 47,2	[0.79] 20,1	
533-LB			[0.59] 15							--	--	--		[0.19] 4,8
535-L	[1.77] 45	[2.95] 74,9		--	[0.18] 4,6	[1.89] 48	[0.47] 11,9	[0.89] 22,6	[2.13] 54,1	[2.05] 52,1	[2.87] 72,9	[2.63] 66,8	[0.98] 24,9	
535-LB										--	--	--		

Model	C3	C4	C5	C6	C7	D	D1	D2	D3	F1	H	H1	L	L1
533-L	--	--	--	[2.24] 56,9	--	--	[0.33] 8,4	[0.35] 8,9	[0.59] 15	[0.39] 9,9	[8.6] 218,4	--	[4.92] 125	[2.56] 65
533-LB	[0.39] 9,9	[0.59] 15	[1.86] 55,1	--	[2.56] 65	[0.22] 5,6					--	[9.31] 236,5		
535-L	--	--	--	[3.13] 79,5	--	--	[0.41] 10,4	[0.43] 10,9	[0.79] 20,1	[0.47] 11,9	[10.35] 262,9	--	[6.30] 160	[3.35] 85,1
535-LB	[0.59] 15	[0.79] 20,1	[2.95] 74,9	--	[3.44] 87,4	[0.30] 7,6					--	[11.26] 286		

# 533, 535 SERIES

## Heavy-Duty Vertical Hold Down Clamps | Dimensions

**533-LBR**  
 Straight Base  
 Solid Bar  
 DESTACO®  
 Toggle Lock  
 Plus™



### DESTACO® TOGGLE LOCK PLUS OPTION

Secured in open  
 and closed position  
 against unintentional  
 opening up to 40 Nm.

