

APPLICATIONS

Ideal for pumping clean, clear water in such applications as:

- > Where incoming water supply is not pressurized
- > From underground or surface water supplies
- > Automatic water transfer
- > Applications where the pump may have an interrupted water supply
- > Domestic and light industrial irrigation



Davey BIT with Torrium2

Model Numbers: BIT14-30, BIT20-30, BIT14-45, BIT20-40 & BIT30-30

The Davey BIT Series water pressure system comprises of a robust, compact, centrifugal pump with an intelligent Torrium2 water pressure controller to supply water with constant flow and even pressure to domestic households and irrigation. The Torrium2 incorporates multiple levels of pump and motor protection.

WHY CHOOSE THE Davey BIT Home Pressure System?

WATER PRESSURE SYSTEM

The Davey BIT pressure system consists of a robust centrifugal pump fitted with the intelligent Davey Torrium2 water pressure controller to deliver boosted water pressure to your home or other application. Consumers can enjoy strong and seemingly constant water pressure due to Torrium2's constant flow operation.

Due to large water pathways, Torrium2 operates with a lower head loss than comparable water pressure controllers to provide superior hydraulic performance with less wasted energy.

TORRIUM2 CONTROLLER

Pressure Boosting

Torrium2 boosts low or fluctuating mains water pressure to give you strong, even water pressure for your comfort and convenience. Torrium2 can also pressure boost water from rainwater tanks.

Constant Flow and Even Water Pressure

To prevent annoying fluctuations in water temperature during showers, Torrium2 uses its intelligence to provide households with constant flow to provide even water pressure. It does this with its innovative pressure and flow sensors to start the pump on a pressure drop and to stop it on low flow (~0.26 gpm). This avoids pump cycling when there is continuing household demand for water.

Quick Cut-in for Even Pressure

To give you strong pressure right from the start, Torrium2 is designed to cut in quickly when it senses demand for water. It cuts in when the pressure has dropped to 80% of the previous top (shut-off) pressure. Torrium2 automatically sets this cut-in pressure each time the pump stops. In doing so, Torrium2 automatically adapts to variations in pump performance or site conditions.

cont. overleaf

Adaptive Starting

Torium2 is smart enough to detect the difference between normal water demand and a small leak in the system, such as a dripping faucet or a leaking cistern. For very low flows, Torrium2 automatically adapts to reduce the cut-in pressure, which can be as low as 50% of its last shut-off pressure. This significantly reduces pump cycling to improve consumer satisfaction with the system. If normal flow is required in the house (>0.13gpm), Torrium2 will sense this and revert to normal mode and initiate an immediate pump start.

Easy Status Check

To easily check the system status, Torrium2 has three simple LED indicators.

- Red LED - the system is in standby
- Green LED - the pump is running
- Yellow LED - fault condition

Greater Hydraulic Performance

To provide more pressure while using less energy, Torrium2 has been designed with larger water pathways to provide low head loss, offering superior hydraulic performance than comparable water pressure controllers.

Greater Reliability

To diminish the likelihood of blockages, Torrium2 is designed with no moving control parts within the water pathways giving greater reliability and performance with varying water quality.

Dry Run Protection & Auto Restart

To protect the pump from damage due to dry running, Torrium2 stops the pump when it detects a loss of prime (no water supply) situation. To reduce system downtime, the Torrium2 waits 5 minutes then goes into auto retry mode, whereby it will restart the pump to see if prime can be re-established automatically. An auto restart occurs at 5 minutes, 30 minutes, 1 hour, 2, 4, 8, 16 and 32 hours. Torrium2 will also restart if it detects flow through the system (e.g. from mains water pressure returning with pressure boosting applications).

Pump Protection – High Water Temperature Cut-out

For added security and longer life, a water over-temperature cut-out provides a second level of protection against closed head operation and repetitive cycling. For water temperatures above 158°F Torrium2 will shut the pump down and the amber LED will be lit. When the water temperature drops to below 140°F, the Torrium2 will allow the pump to restart.

Pump Protection – Excessive Electrical Current

To protect the pump motor, Torrium2 will shut the pump down and indicate a fault if it detects excessive electrical current being drawn. This occurs if the pump motor is subjected to locked rotor or if someone tries to manually override the Torrium2 by continually holding in the prime button.

Corrosion & Scale Resistance

To allow Torrium2 to be used with water of varying quality, its flow sensors are mounted on a high grade stainless steel plate with special anti-scaling electronic action, which only turns the flow sensors on during pump operation.

Extra Draw off Capacity

To accommodate small leaks and to reduce cycling, Torrium2 has an in-built spring loaded accumulator for extra draw off capacity. A spring loaded accumulator means low maintenance as there is no need for a pressure vessel with its regular air charging and checking. However, for increased draw off, an optional small pressure tank, can be mounted on the vertical outlet.

Power Surge Protection for Torrium2

To protect the Torrium2 controller from electrical surges and spikes, thus extending its life, it incorporates a metal oxide varistor (MOV). The status of the MOV can be checked in the viewing window on the back of the Torrium2. The MOV is a sacrificial component and should it be consumed due to repeated power surges or spikes, it will almost always blacken the viewing port. This will indicate a non-warrantable Torrium2 failure.

Ease of Installation

For ease of installation, the outlet plumbing can be connected to either the vertical or the right angle discharge outlet, which can rotate a full 360°. A wrench, sized to fit the coupling, is included in the box.

Power Cable

For easy installation, no hard wiring is needed as Torrium2 comes with a 6 foot power cord with a standard NEMA power plug. USA 120V models are fitted with a standard NEMA 5-15P power plug. USA 240V models are fitted with a standard NEMA 6-15P power plug.

PUMP

- Reliable single stage or multistage impeller design (dependent upon pump model)
- All stainless steel construction for increased reliability
- Carbon/Ceramic mechanical seal for reliable pump operation

MOTOR

- 120/240V, 60Hz, 2 pole (dependant upon pump model)
- Class F insulation
- Higher than normal 130°F ambient temperature rating for longer life and improved tolerance to voltage variations for peace of mind, even on the hottest days.
- Robust TEFC motor constructed from corrosion resistant materials
- IP55 international protection rating for a high level of resistance to dust and dirt entry
- Protected against both high operating temperature and high current draw by a built-in, automatically re-setting, thermal overload
- Permanently split P2 'fail safe' capacitor design
- Motor and pump are designed for frequent starts



OPERATING LIMITS

Capacities to	45 gpm
Maximum total head to	76 psi
Cut-in pressure – Adapts to 80% of last shut-off head pressure	
Minimum setting	15 psi
Maximum setting	80 psi
Cut-out flow rate	0.26 GPM
Maximum liquid temperate	158° F
Maximum ambient temperature	120° F
Maximum suction lift	25'
Inlet size (dependant upon pump model)	1" F or 1¼" F
Outlet size	1" M
Maximum pump casing pressure	116 psi
Maximum system pressure	100 psi

INSTALLATION AND PRIMING

- On installations with suction lifts a good quality foot valve should be installed
- The system is primed by filling the pump and suction line with water through the priming port, and replacing priming plug prior to switching on
- The PRIME button on the Torrium2 unit should be held in while the pump is establishing prime

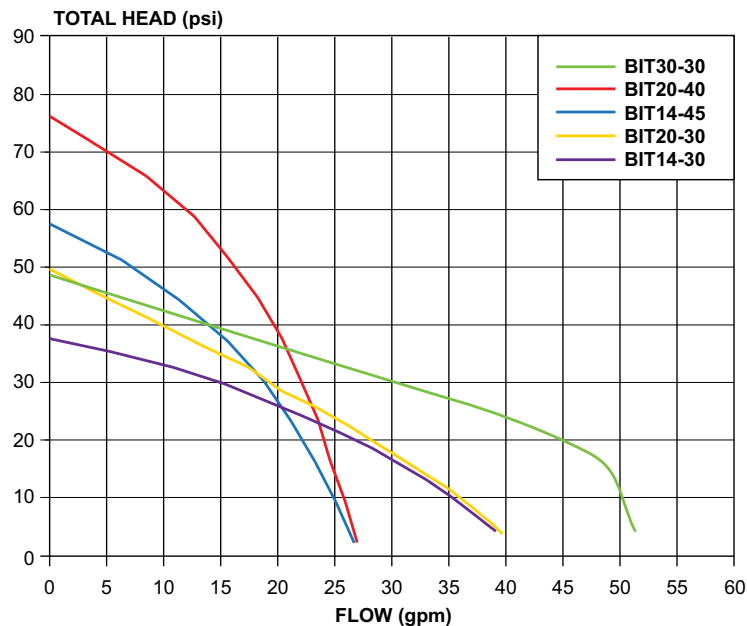
MATERIALS OF CONSTRUCTION

Part	Material
Impellers	304 stainless steel
Lock nut	304 stainless steel
Pump casing	304 stainless steel
Pump backplate	304 stainless steel
Pump shaft	316 stainless steel
Neckrings	Teflon
Seal ring (stationary)	Ceramic
Seal ring (rotating)	Carbon (synthetic)
Seal spring	304 stainless steel
Orings	Nitrile rubber
Stage body	304 stainless steel
Torrium2 check valve	Nylon
Stem assembly	304 stainless steel
Spring	304 stainless steel
Seal	Nitrile
Torrium2 body	Glass filled nylon
Priming plug	304 stainless steel
Motor shell	Marine grade aluminum
Lantern / DE endshield	Marine grade aluminum
Shell & lantern bracket finish	Baked polyester

ELECTRICAL DATA

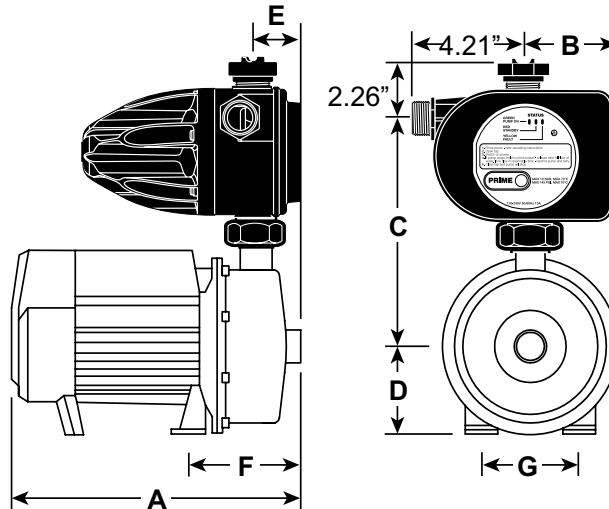
Model	BIT14-30	BIT20-30	BIT14-45	BIT20-40	BIT30-30
Supply voltage/phase	120V/1			220-240V/1	
Supply frequency	60Hz				
Input power (P1) (kW)	0.92	0.98	0.86	1.10	1.44
Output power (P2) (kW)	0.73	0.78	0.68	0.92	1.12
Full load current (A)	7.80	8.20	7.30	4.70	7.00
Locked rotor current (A)	38.00	38.00	38.00	23.00	23.71
Starting	PSC				
Insulation class	Class F				
IP rating	IP55				

HYDRAULIC PERFORMANCE



DIMENSIONS (INCHES)

Model	A	B	C	D	E	F	Inlet	Outlet	Net Weight (lbs)	G	
										Hole Diameter	@ Centres
BIT14-30	13.80	4.33	12.20	4.33	2.40	5.70	1 1/4" F	1" M	26.50	0.35	4.72
BIT20-30	17.40	3.35	8.00	3.54	5.31	8.85	1 1/4" F	1" M	27.30	0.27	3.93
BIT14-45	15.35	3.35	8.00	3.54	2.95	6.81	1" F	1" M	25.40	0.27	3.93
BIT20-40	17.40	3.35	8.00	3.54	5.31	8.85	1" F	1" M	27.30	0.27	3.93
BIT30-30	16.14	4.72	5.67	4.76	2.00	5.83	1 1/4" F	1" M	16.25	0.35	5.51



MODEL IDENTIFICATION

B

Booster series stainless steel pressure booster pump

I

Irrigation and home pressure system to operate from non-pressurized supply




T

Torium2 equipped

14-30

Flow (gpm) at nominal pressure 14gpm @ 30psi

PERFORMANCE TABLE

BIT Home Pressure System	Nominal Duty	
	Flow	Pressure
BIT14-30 	14 gpm	60 psi
BIT14-45 	14 gpm	40 psi
BIT20-30 	20 gpm	50 psi
BIT20-40 	20 gpm	20 psi
BIT30-30 	50 gpm	30 psi



To make selecting your Davey pressure booster system easier, Davey provide a guide to the number of faucets that can be operated at the same time without substantially reducing performance, assuming an average delivery of three gallons per minute per faucet.



Indicates that this pump may be suitable for boosting water for watering systems.