

# PT-8 Hand Mic

## Headsets and Accessories

Linking  
People  
Together



PT-8 Hand Mic

### Key Features and Benefits

- Water-resistant IP54 rated
- Ergonomic shape, handy size
- Tough and strong housing to hold the microphone firmly
- Swivel tab assembly
- Available for Land Mobile / CB radios

### Description

The PT-8 is a compact, hand-held dynamic, low impedance communications microphone with a 50 -16kHz frequency response. Designed for compatibility with Clear-Com Encore® Analog Partyline and Eclipse® HX Digital Matrix devices, this handset is an economical unit for all call and paging applications. The microphone is compatible with beltpack, station and panel headset microphone inputs. Its tailored frequency response provides clear, intelligible operation. The ergonomic case is made from high impact housing and is designed to be small, light and sturdy. The PT-8 handset also has a durable push-to-talk switch and coiled cable for years of reliable performance.

The PT-8 is offered with a 4-pin or 7-pin XLR connector. The mic-shorting circuitry is the same for both models and only differ in connector type.

### Operation

The PT-8 will operate satisfactorily under most conditions of humidity, heat and cold. Dropping the microphone or other severe mechanical shocks should be avoided.

### Mounting

The PT-8 is provided with a rear-case hang-up button for use with a mounting bracket on or near associated equipment. The bracket has mounting holes with clearance for screws.

### Technical Specifications

**Impedance:** 600Ω  
**Mic Frequency Response:** 50-16kHz  
**Mic Type:** Dynamic  
**Polar Pattern:** Omni-directional  
**Output Level:** -43dB at 1kHz (Sensitivity)

### Dimensions

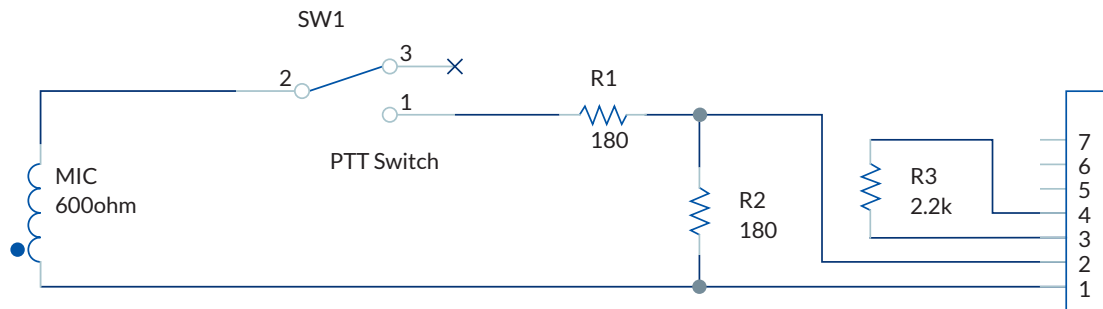
**Cable Length:** 9.8ft (3m)  
 2.6 x 3.83 x 1.57in (WxHxD)  
 (66.2 x 95.7 x 40mm)

### Weight

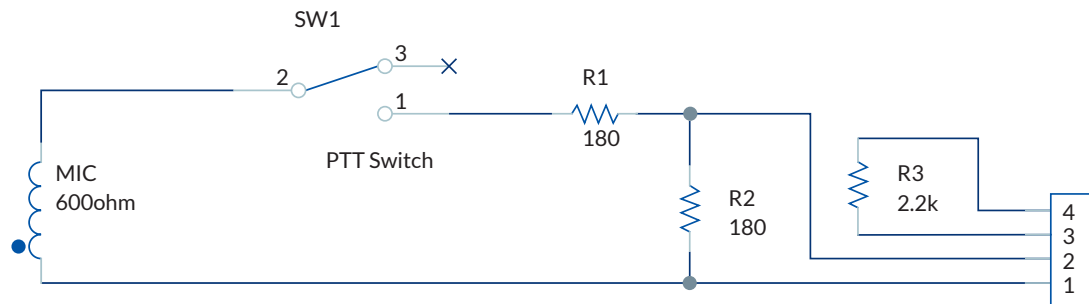
7.4oz (210g)

### Environmental

**Temperature:** -4° to 122°F (-20° to 50°C)



Circuit Diagram for PT-8-X7



Circuit Diagram for PT-8-X4

### Order Codes

**PT-8-X4**  
**PT-8-X7**