
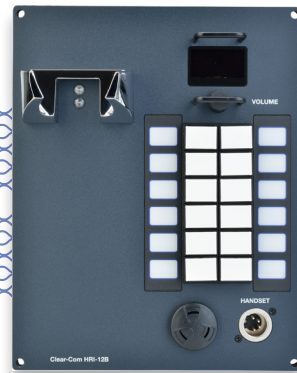


IKB-12P Industrial Intercom Station

Digital Partyline Solutions



Linking
People
Together



IKB-12P

Key Features and Benefits

- Clear, intelligible digital audio
- Up to 64 Intercom Stations per system
- Configure up to 40 call buttons per station*
- Plug-and-go installation with hardware discovery
- Audible and visual call signaling
- Web-browser configuration editor
- IP-65 rating**

The Industrial Intercom Station is an easy-to-use intercom device that enables users to send and receive digital partyline audio with audible and visual call signaling.

Description

The IKB-12P is a single-channel digital partyline intercom station that has 12 call buttons, a loud alert buzzer, and a rotary knob for controlling volume and menu navigation. Using a HelixNet HMS-4X main station and the browser-based software configuration tool, up to 64 IKB-12P intercom stations can be individually controlled and configured using an Ethernet connection. Each call button can be assigned a profile to determine that button's functionality. If more call buttons are required, an additional 28 can be added via a custom expansion panel for a total of 40 call buttons. An IKB-12P can be wall-mounted or placed in a dedicated desktop unit.

Operation

Each IKB-12P station is programmed by the browser-based CCM configuration tool embedded in a HelixNet HMS-4X main station that has been installed with v2.1 software. The HMS-4X with v2.1 connects up to 64 IKB-12P intercom stations using an HLI-ET2 Ethernet module and Power-over-Ethernet (PoE) switch. When the IKB-12P is connected via the PoE switch, it will display the profile assigned to the intercom station. Using the IKB-12P's profile setting, the user can assign the functionality of each call button on the front panel.

*via user commissioned custom expansion panel

**when properly flush-mounted to a wall, with good perimeter seals or in a "Hoffman" style box

IKB-12P Industrial Intercom Station

Digital Partyline Solutions

Technical Specifications

Connectors

Handset: 4-pin male XLR
Ethernet/PoE: RJ-45

Microphone Pre-Amplifier

Handset Mic Impedance: 200 Ohms, Dynamic
Mic Limiter Range: >35dB
Mic Gain: 60dB, Dynamic
Frequency Response: 400Hz – 8kHz, + 3dB (contoured for intelligibility)
Distortion: <0.5% THD @ 1kHz
Noise: < -55dBu, Dynamic

Earphone Amplifier

Load Impedance: >32 Ohms Output
Level: +1 dBu before clipping
Sidetone: -6dB (selectable)

Specified for a route from a 4-wire input @0dBu in:

Max Gain: 12dB Noise: <-65dBu (@ max gain)

Headphone Limiter: -0dBu, Selectable

Power

Power Requirements: 9W DC
Voltage Range: 30 – 60V

Ethernet

Fast Ethernet Standard: 100 BaseT only, Auto MDIX

Environmental

Humidity: 0 – 95%, relative
Temperature: -14°F to +131°F (-10°C to +55°C)

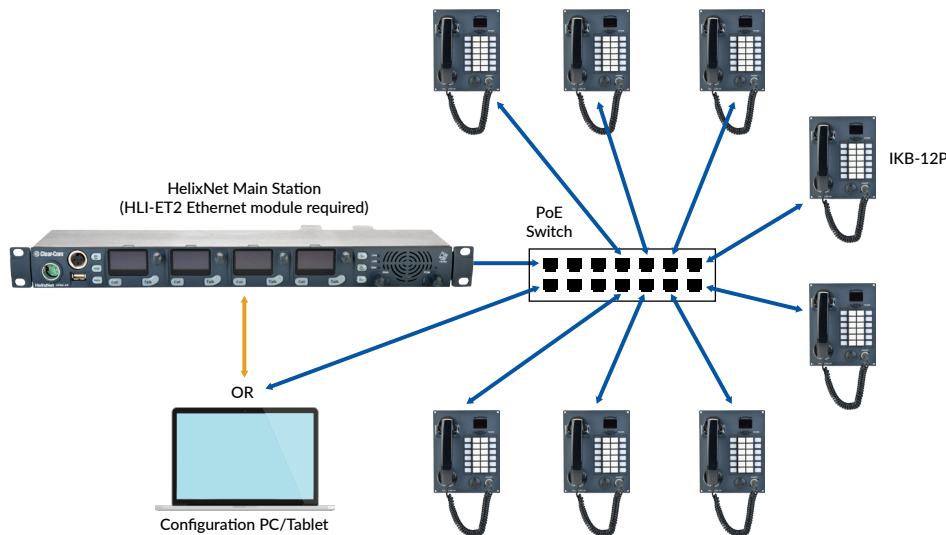
Dimensions

8 in. W x 10 in. H x 3.6 in. D (203mm x 254mm x 93mm)

Weight

27.9 oz (0.79 KG)

Industrial Intercom Station Network



Legend

↔ Ethernet CAT 5/6
(100m max from switch)

↔ Direct connection to Main
Station second LAN port
(100m max distance from PC)

Order Codes

At least one of each of the following must be ordered for a complete system:

IKB-12P: Industrial Intercom Station
HS-6: Handset
HCS.2.1.0: Firmware and Manuals
HMS-4X: HelixNet Main Station
HLI-ET2: Ethernet Module

Other required system components (not supplied by Clear-Com):

- PC/Tablet with Ethernet connection and current web browser
- PoE Switch(es)
- CAT5/6 Ethernet Cables