

Cassida[®]
INSTACHECK
moving money forward



USER MANUAL

CASSIDA INSTACHECK COUNTERFEIT DETECTOR

This manual contains important information on safety measures and operational features of the Cassida InstaCheck. Please read it carefully before operating your counterfeit detector and keep it handy for future reference.




Table of contents:

1. INTRODUCTION

1.1 About the Cassida Instacheck	2
1.2 Box contents	2
1.3 Front and rear views	3
1.4 Specifications	4
1.5 Important safety notes	4

2. GETTING STARTED

2.1 Powering up	5
2.2 Checking a bill's condition	5
2.3 Authenticating a bill	6

3. MAINTENANCE AND WARRANTY

3.1 Maintenance	7
3.2 Troubleshooting	7
3.2 Warranty	8
3.3 Shipping	8
3.4 Contact information	9

1. INTRODUCTION

1.1 About the Cassida Instacheck

Congratulations on your purchase of the Cassida InstaCheck, which incorporates the most powerful counterfeit detection technology available to the industry. The Cassida InstaCheck verifies infrared security marks, the most reliable anti-counterfeit protection available for paper currency. With its advanced sensors, the Cassida InstaCheck detector also verifies magnetic marks.

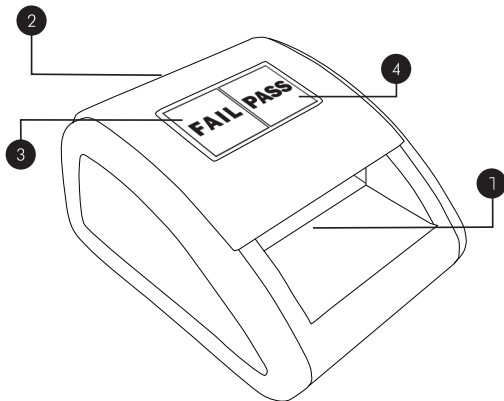
Verifying the authenticity of currency is easy – simply pass a bill through the detector.

- If a bill is valid: The green PASS indicator will light up, a confirming beep will emit and the bill will be returned forward of the machine.
- If a bill is suspicious: The red FAIL indicator light will flash, three warning beeps will emit and the bill will be returned forward of the machine.

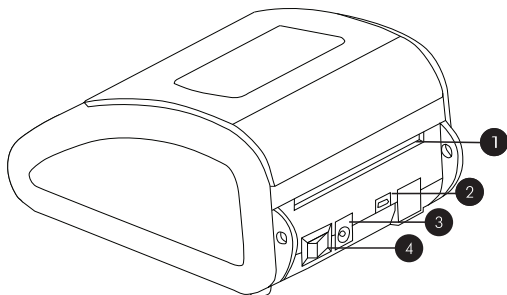
1.2 Box contents

- Cassida InstaCheck counterfeit detector
- DC power converter with AC power cord
- User manual
- Window sticker

1.3 Front and rear views



- 1 Front slot
- 2 Rear slot
- 3 FAIL indicator
- 4 PASS indicator



- 1 Rear slot
- 2 PC connection jack
- 3 AC adaptor power jack
- 4 ON/OFF power switch

1.4 Specifications

Net Weight:	.85 lbs
Dimensions:	5.1" x 4.2" x 2.75" (L x W x H)
Sensors:	Internal IR and MG sensors
Power Consumption:	<10 watts
Power Supply:	AC/DC adapter, 12 vdc output Input voltage 100-240 VAC
Applicable currency:	United States dollars

1.5 Important safety notes

When operating this unit, please observe the following basic safety procedures:

- Use only the AC/DC adapter provided with the unit. The use of other AC/DC adapters may result in electrical shock, fire or cause serious damage to the unit.
- Do not use the unit if the power cord is damaged, or if the plug socket contact is loose. Failure to follow these instructions may result in electrical shock or fire.
- Do not use this unit in areas where it may be exposed to water or any other liquids.
- Unplug the unit from the wall outlet before cleaning.
- To reduce the risk of electrical shock, do not disassemble this product. Opening or removing covers may expose you to dangerous voltages or other risks. Incorrect reassembly can cause electrical shock when the appliance is used again.
- When service or repair work is required, take the unit to a qualified service technician.
- Do not operate the unit in areas with high temperatures or high humidity. These conditions may prevent it from working properly.
- When not in use for an extended period of time, remove the power plug from the wall outlet.

2. OPERATION

2.1 Powering up

Connect the AC/DC adapter to the Cassida InstaCheck unit and plug the adapter plug into the power outlet. Turn the Cassida InstaCheck on by pressing the ON/OFF switch on the rear of the unit (see 1.3, rear view). The unit will emit a beep and conduct a short self-test. The screen shows both FAIL and PASS lights and will then go black, indicating it is ready to operate.

2.2 Checking a bill's condition

Avoid inserting bills that are torn, heavily worn or crumpled. Do not insert bill with staples attached or bills that are covered by adhesive tape. Do not insert wet or heavily stained bills.

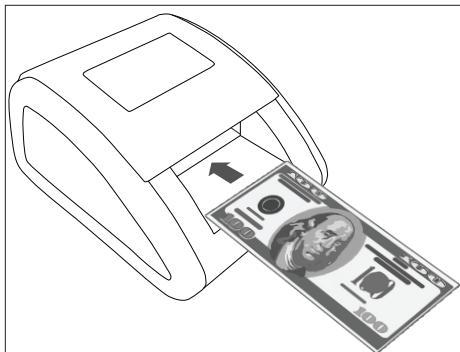
2.3 Authenticating a bill

After the bill is positioned in the insertion slot, the detector will automatically feed and scan the bill. If a bill is recognized as authentic, the following will occur:

1. The green PASS light will illuminate
2. The detector will emit a single confirmation beep
3. The bill will be ejected through the insertion slot at the front of the unit.

If the bill is NOT recognized, the following will occur:

1. The red FAIL light will illuminate and flash three times
2. The detector will emit a triple warning beep
3. The bill will be rejected through the insertion slot at the front of the unit

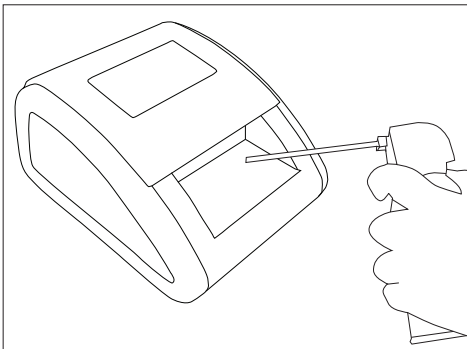


3. MAINTENANCE AND WARRANTY

3.1 Maintenance

Regular maintenance will ensure accurate operation of the unit and will prolong its service life. Use an air duster to remove dust from the sensors. Insert approximately $\frac{1}{4}$ inch of the duster nozzle through the front bill insertion slot to blow away any debris that may have accumulated inside the unit.

Do not insert the nozzle more than $\frac{1}{4}$ inch into the unit, as it may damage the sensor mechanisms inside the InstaCheck unit.



3.2 Troubleshooting

Because of the printing method used by the US Mint, bills are not exactly identical. This will occasionally cause a bill to not be recognized on the first run in an automatic detector. This may also occur if a bill is inserted with even a slight deviation from the required pathway. The Cassida InstaCheck is a very advanced machine and will not accept a counterfeit bill. If it recognizes a bill after the second or third attempt, you can be assured the bill is genuine.

Several factors can cause the Cassida InstaCheck to not recognize a genuine bill:

- Overly wrinkled, overly creased and overly worn bills
- A physical shock
- A sudden change in temperature or humidity
- Extended period of non-use.

If the InstaCheck consistently refuses to recognize genuine bills, turn the unit off, unplug it from the wall. Reinsert the plug and turn the machine on to perform a reset.

3.2 Warranty

Our goal is to make Cassida your lifetime work partner. That's why Cassida products are subject to stringent quality control measures and are backed by a solid one year parts and labor warranty.

Warranty information is available at www.CassidaUSA.com/support.html.

To activate your warranty in the US or Canada, please register you product online by visiting www.cassidausa.com/register.html.

In many cases a unit malfunction can easily be corrected by performing a thorough cleaning. This requires disassembly of the unit to clean each individual sensor. This cleaning is not covered by warranty and should be performed only by your local dealer or the Cassida Technical Service Center.

3.3 Shipping

The warranty does not cover the cost of shipping to Cassida's Technical Service Center.

3.4 Contact information

Technical support contact information:

Email: technicalsupport@cassidausa.com

Tel: (888) 800-0303

www.cassidausa.com

In other countries, go to: www.cassidaglobal.com



care about
money



speed



counterfeit
detection



operation
ease



design



support



quality

Designed by Cassida Corporation, USA
Made in China

©2018 Cassida Corporation. All rights reserved.
Specifications subject to change without notice. Cassida is a registered trademark of Cassida Corporation.
FN INSTACHEKUM REV 0514