



care about
money

speed

counterfeit
detection

operation
ease

design

support

quality

Designed by Cassida Corporation, USA
Made in China

©2020 Cassida Corporation. All rights reserved.
Specifications subject to change without notice. Cassida is a registered trademark of Cassida Corporation.
FN C200UM REV 0720

Cassida[®]
C200
moving money forward

ENGLISH

ESPAÑOL



USER MANUAL

CASSIDA C200 COIN COUNTER/SORTER/WRAPPER

MANUAL DEL USUARIO

CONTADOR/CLASIFICADOR/EMPAQUETADOR DE MONEDAS CASSIDA C200

This manual contains important information on safety measures and operational features. Please read it carefully before operating your coin sorter and keep it for future reference.

Table of contents:**1. Introduction**

1.1 About the Cassida C200 _____	5
1.2 Box contents _____	5
1.3 Front and rear views _____	6
1.4 Control panel _____	7
1.5 Specifications _____	8
1.6 Important safety notes _____	9

2. Getting started

2.1 Powering up _____	10
2.2 Counting _____	10
2.3 Adding _____	11
2.4 Setting Batch Quantities _____	11
2.5 Clearing Batch Quantities _____	13
2.6 Using the Coin Tube Attachments _____	13

3. Maintenance and Troubleshooting

3.1 Maintenance _____	16
3.2 Troubleshooting _____	18
3.3 Warranty _____	19
3.4 Contact Information _____	19

1. INTRODUCTION**1.1 About the Cassida C200**

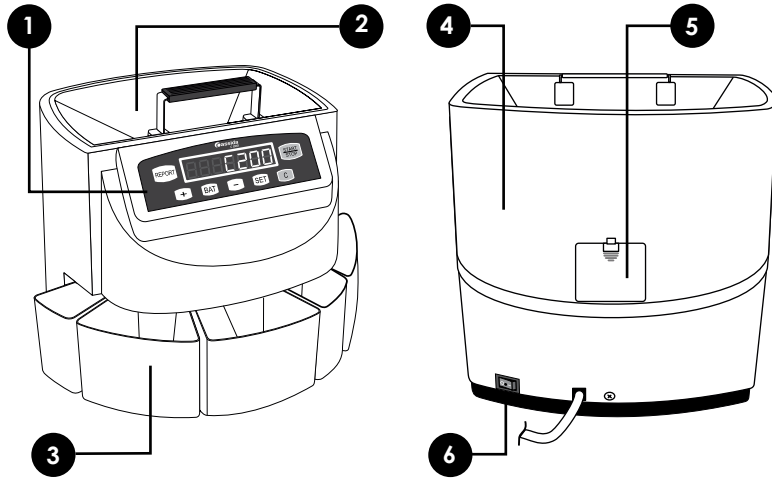
Thank you for choosing the Cassida C200 coin sorter. We hope you enjoy using it.

The Cassida C200 coin counter/sorter/wrapper is a multi-functional coin processing machine which incorporates all the features of a professional coin counter/sorter/wrapper at a very affordable price. Its large hopper is capable of holding 2,000 coins and the coin trays can each accumulate up to 900 coins at a time. Displaying the subtotal for each denomination and the total value make the Cassida C200 an easy all-in-one tool for any coin handling needs. The Cassida C200's lightweight, compact and stylish design will easily fit into your business environment.

1.2 Box contents

- Cassida C200 Automatic Coin Counter/Sorter/Wrapper
- User manual
- Cleaning cloth
- Coin tubes

1.3 Front and rear views



- 1. Control panel
- 2. Coin hopper
Holds coins that need to be counted.
- 3. Coin trays
Each tray holds a specific denomination of counted and sorted coins.
- 4. Plastic housing
When removed, provides access to the counting mechanism for cleaning and repair purposes.
- 5. Rear access panel
Provides easy access to the interior mechanism in order to remove foreign objects and coins.
- 6. Power switch
Turns the machine on and off.

1.4 Control panel



Name	Function
START/STOP	Starts or stops operation of the machine
C	Clears the display and resets the count
SET	Shows batch quantities set for each denomination
BAT	Selects preset batch quantities (0, 10, 20, 25, 50, 80, 100, 120, 150, 200, 300, 400, 500)
- (Minus)	Decreases batch quantity by a value of 1 Also used to clear all batch quantities when pressed for 2-3 seconds
+ (Plus)	Increases batch quantity by a value of 1 Switches between value reporting and quantity reporting Also used to set batch quantities for coin rolls when pressed for 3-4 seconds
REPORT	Shows value (or quantity) of coins counted for each denomination

1.5 Specifications

Hopper capacity	Up to 2,000 coins (varies for each currency)			
Coin tray capacities	Denomination	US model	Canadian model	Other countries variable (denominations and capacities vary by country)
	\$2	n/a	125	
	\$1	130	130	
	25¢	350	190	
	10¢	900	350	
	5¢ 1¢	450 300	200 300	
Batch range	0-500 coins			
Control panel display	7 digit LED			
Dimensions	284mm (w) x 260mm (h) x 275mm (d) 11.18" (w) x 10.24" (h) x 10.83" (d)			
Weight	3.95 kg (8.7 lbs)			
Counting speed	up to 300 coins/minute			
Input power	110 VAC / 60 Hz or 220 VAC / 50Hz (refer to input power label on rear of this unit)			
Power consumption	45 watts maximum			
Ambient temperature	0°C - 40°C (32°F - 104°F)			
Ambient humidity	30 to 80%			

1.6 Important safety notes

Basic safety precautions should be observed when using this unit, including the following:

- Do not use this unit in areas where it may be exposed to water or any other liquids.
- Only use the power cord supplied with the machine. Plug the power cord into a properly grounded wall outlet. Do not remove the ground pin from the power cord. Failure to properly ground the machine can result in severe injury or fire.
- Make certain the unit is installed on a flat surface. Do not operate the machine in areas with high temperature, humidity or smoke as these conditions may prevent proper operation.
- Do not start the unit when the rear access panel is open. Ensure no coins are in the hopper when the machine is first turned on.
- When not using the unit for an extended period of time, disconnect the power cord from the wall outlet.
- Unplug the unit from the wall outlet before cleaning. Use a damp cloth or specifically designed maintenance accessories such as the Cassida air duster or soft bristle brush.
- To avoid the risk of electrical shock, do not disassemble this unit. Disassembly will expose you to dangerous voltages and other safety risks. Incorrect reassembly can cause electrical shock when the appliance is subsequently used.
- Take the unit to a qualified technician when service or repair is required. Do not try to replace any parts yourself.

2. GETTING STARTED

2.1 Powering up

IMPORTANT: Before turning on the Cassida C200, make certain no coins are present in the coin hopper. This will cause an "ER" error when the C200 self-test is performed. To clear the "ER" error, press the "START/STOP" button, then empty any coins present in the coin trays.

Turn on the power switch located on the rear of the unit. The machine will conduct a self-check. The main display will show "D" when the test has successfully completed.

2.2 Counting

The C200 always operates in a batching mode. To enable simple counting, all batch quantities need to be set to zero. To set batch quantities to zero, press and hold the "-" button for approximately three seconds until "C" is displayed on the left of the LED display.

- Before loading the hopper, make sure there are no uncounted coins remaining in it from the previous count.
- To count coins, place them into the hopper and press the "START/STOP" button.
- The C200 will start counting and will automatically sort all coins into the appropriate coin trays.
- The machine will automatically stop when all coins in the hopper are counted, or if the batch quantity for any coin denomination is reached.
- To stop the machine, press the "START/STOP" button.

- To resume counting, press the "START/STOP" button.
- When a coin tray becomes full, stop the machine and empty the tray to ensure correct machine operation. Stopping the machine will not alter or reset the count. You can continue counting by pressing the "START/STOP" button.
- As it counts, the Cassida C200 will automatically display the total value of counted coins on the screen.
- To view the value of coins counted for each denomination press the "REPORT" button. The denomination will appear on the left and value of coins counted on the right part of the screen. To display the number of coins counted, press the "+" button.

While in the REPORT mode, pressing the "+" button will switch the display between value of coins counted or number of coins counted. The C200 will remember the last setting chosen for the report display.

- To reset the coin count before starting a new batch, press the "C" button.

2.3 Adding

The C200 operates in ADD mode by default. In ADD mode, the coin count is added to the count from previous batches. To start a new count, press the "C" button. This will reset the coin count to zero.

2.4 Setting Batch Quantities

You may batch the desired quantity of each coin denomination. Each denomination can be assigned a batch quantity.

1. Setting batch quantities for coin rolls

- Press and hold the "+" button for approximately three seconds until "L" is shown in the display. This automatically programs each coin denomination for bank coin roll amounts as follows:

\$2	25 (Canadian model only)	
\$1	25	
25¢	40	NOTE: Other countries
10¢	50	denominations and
5¢	40	capacities vary by country)
1¢	50	

2. Setting other batch quantities

- Press "Set" until the desired denomination appears on the left part of the screen.
- To assign a batch quantity for this denomination press the "BAT" button until a desired batch quantity appears on the display
- (0, 10, 20, 25, 50, 80, 100, 120, 150, 200, 300, 400, 500). Fine adjustments to batch quantity can be made by pressing "-" or "+" button.
- Repeat this procedure to set the desired batch quantities for other coin denominations.

The C200 will stop when a desired batch quantity is completed for any of the denominations. The denomination will be displayed on the left and the total count for that denomination will be displayed on the right side of the screen.

NOTE: When operating in batch mode, the C200 will keep a running total for each denomination coin. For example, after four batches of 50 pennies have been dispensed, the C200 will stop and display:

LC 200 (quantity reporting)
or
LC 2.00 (value reporting)

To resume counting, press the "START/STOP" button.

Pressing the "C" button will reset the count and the machine will start batching from zero.

The batch quantities you choose will be stored in the C200's internal memory and will not be reset when the machine is turned off.

2.5 Clearing batch quantities

You may clear all batch quantities by pressing and holding the "-" button for approximately three seconds. The C200 will then beep and display a "C" message on the control panel, indicating all batch quantities have been reset to zero.

2.6 Using the coin tube attachments

The C200 coin tube attachments allow you to sort coins directly into preformed paper bank roll wrappers.

To use the coin tube attachments, perform the following steps:

- Remove the coin tray(s) for the denomination coins that will be using coin tubes.
- Insert the appropriate pre-formed paper wrapper in the coin tubes with the crimped end down. Ensure the top of the paper wrapper is below the top lip of the coin tube as shown in Figure 1.

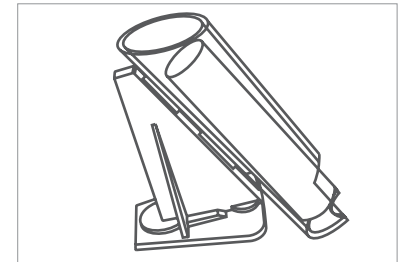


Figure 1: Coin roll inserted into coin tube

3. Attach the coin tubes to the C200 by gently sliding each tube into the proper slot in the base of the machine as shown in Figures 2 and 3.

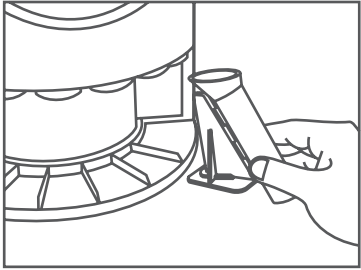


Figure 2 - Installing coin tube

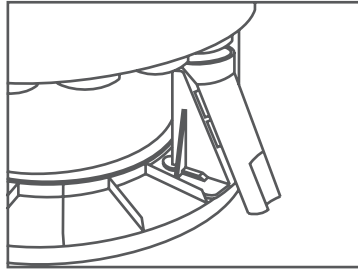


Figure 3 - Coin tube in proper position

Coin tube locations for each country varies. Use coin denomination labels to help you place the coin tubes. Coin tubes should be placed exactly underneath the coin denomination label.

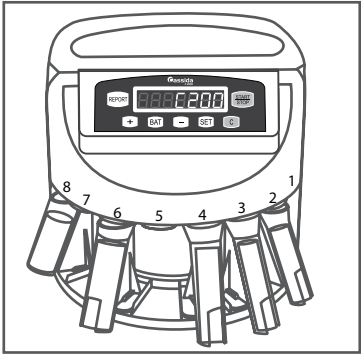


Figure 4 - US model

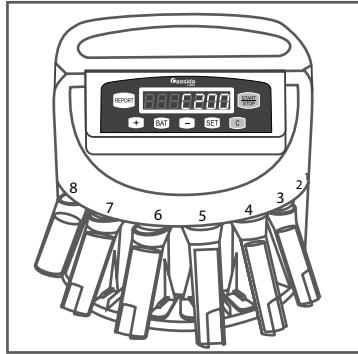


Figure 5 - Canadian model

(Set up for other countries may vary)

4. Set coin roll batch quantities (see section 2.4) for each coin denomination by pressing and holding the "+" button for approximately three seconds until "L" is shown in the display. This programs each coin denomination for standard bank coin roll sizes.

US Model	Canadian Model	Other Countries
\$2	25	Varies
\$1	25	
25¢	40	
10¢	50	
5¢	40	
1¢	50	

5. Load coins into the coin hopper and press the "START/STOP" button. The C200 will automatically dispense the correct number of coins into each coin tube.

6. When the number of dispensed coins equals the batch quantity for any denomination, the C200 will stop and display a message on the control panel. For example, after the first batch of 50 pennies has been counted, the front panel will display:

1¢ 50 (quantity reporting)
or
1¢ 0.50 (value reporting)

NOTE: When operating in batch mode, the C200 will keep a running total for each denomination coin. For example, after four batches of 50 pennies have been dispensed, the C200 will stop and display:

1¢ 200 (quantity reporting)
or
1¢ 2.00 (value reporting)

7. Remove the full coin tube from the C200 and slide out the paper wrapper containing the coins. Crimp the open end of the wrapper. Insert an empty wrapper in the coin tube and reinstall the coin tube.

8. Press the "START/STOP" button to continue batching.

3. MAINTENANCE AND TROUBLESHOOTING

3.1 Maintenance

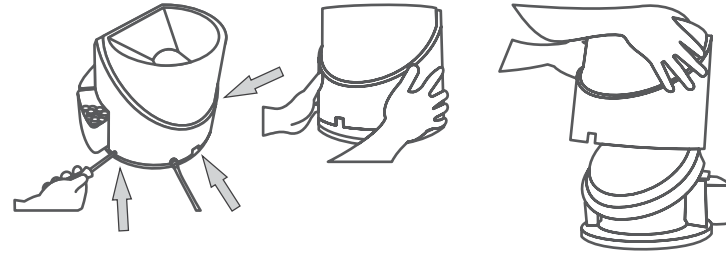
Most operational problems can be avoided with regular care and preventive maintenance. Taking regular care of your coin sorter will significantly increase its lifetime and help you avoid costly repairs.

IMPORTANT: You should always turn the machine off and disconnect the power cord before cleaning the machine.

To get the best results out of your machine, the following maintenance is recommended on a regular basis:

- Clean all external parts of the machine with a Cassida air duster or a soft cloth. Do not use solvents, as they may damage the C200.
- Clean all the sensors using the procedure described below:

1. Remove the three housing screws and carefully lift up the housing.
2. Clean all sensors and other dusty parts using a Cassida air duster followed by a CleanPro swab. See Figure 6 for sensor locations.
3. Replace the housing. The housing must be properly lined up with the AC power cord at the back of the machine. Do not force the housing into place, as this could damage the coin feed mechanism built into the housing.



Clean all sensors and other dusty parts using compressed air or a soft bristle brush

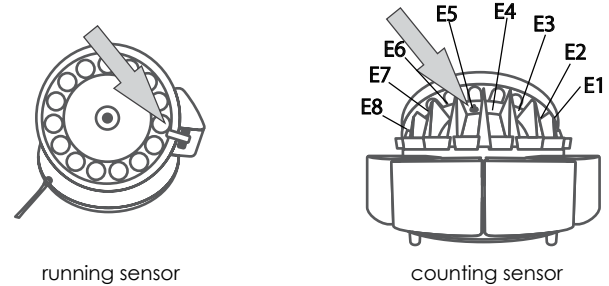


Figure 6 - Sensor locations

3.2 Troubleshooting

Error message display

Error code	Cause	Corrective action
E1 - EB	A counting sensor may have collected dust, or is obscured by a foreign object.	Clean the counting sensor using a Cassida air duster and CleanPro swab (see section 3.1). Inspect coin outlet openings for possible foreign material that may be present (rubber bands, paper, etc.)
EG	Running sensor does not detect rotation of the coin platter.	Clean the running sensor (see section 3.1). Inspect the interior of the machine for possible foreign material that may be preventing the coin platter from rotating. If the error persists, contact Cassida Technical Support (see section 3.3).
ER	1. Coins present in the hopper when the machine is turned on. 2. Defective coin sensor.	1. Press the "START/STOP" button to clear the error. Empty any coins in coin trays back into the hopper. 2. Contact Cassida Technical Support (section 3.3).

3.3 Warranty

Warranty registration:

To activate your warranty in the US or Canada, please register your product online by visiting www.cassidausa.com/register.html. In other countries, go to www.cassidaglobal.com/register.html. For warranty information, please visit www.cassidausa.com/support.html

In most cases, the malfunction of the machine can be resolved by cleaning the unit. Please refer to section 3.1 for guidelines.

3.4 Contact information

Technical Support Contact Information:

Email: support@cassidausa.com
Tel: (888) 800-0303
www.cassidausa.com
or in other countries, go to
www.cassidaglobal.com

Este manual contiene información importante sobre las medidas de seguridad y las características de funcionamiento. Léalo atentamente antes de operar el clasificador de monedas y consérvelo para consultas futuras.

Índice:**1 Introducción**

1.1 Sobre el Cassida C200	23
1.2 Contenido de la caja	23
1.3 Vistas delanteras y traseras	24
1.4 Panel de control	25
1.5 Especificaciones	26
1.6 Notas de seguridad importantes	27

2 Inicio

2.1 Encendido	28
2.2 Conteo	28
2.3 Suma	29
2.4 Configuración de las cantidades por lote	29
2.5 Eliminación de las cantidades por lote	31
2.6 Uso de los accesorios del tubo de monedas	31

3 Mantenimiento y solución de problemas

3.1 Mantenimiento	34
3.2 Solución de problemas	36
3.3 Garantía	37
3.4 Información de contacto	37

1. INTRODUCCIÓN**1.1 Sobre el Cassida C200**

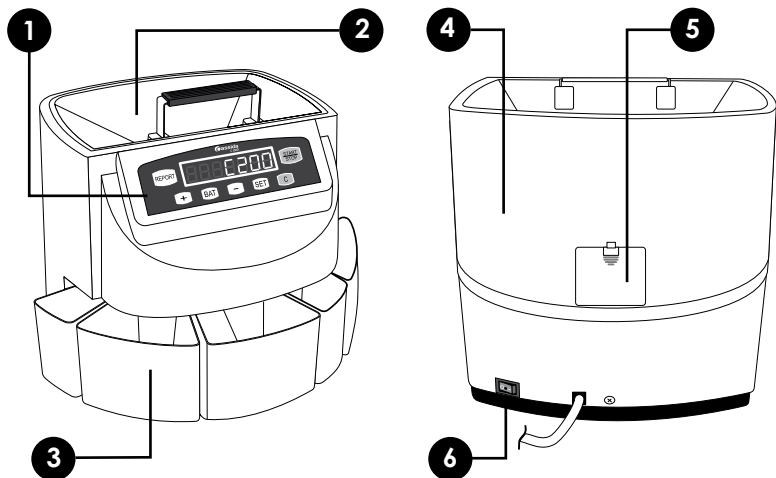
Gracias por elegir el clasificador de monedas Cassida C200. Esperamos que disfrute usarlo.

El contador/clasificador/empaquetador de monedas Cassida C200 es una máquina procesadora de monedas multifuncional que incorpora todas las características de un contador/clasificador/empaquetador de monedas profesional a un precio muy accesible. Su embudo amplio tiene una capacidad para 2000 monedas (de diez centavos) y las bandejas pueden acumular hasta 900 monedas (de diez centavos) cada una al mismo tiempo. La visualización del subtotal de cada denominación y del valor total convierte al Cassida C200 en una herramienta completa de fácil uso para todas las necesidades de administración de monedas. El diseño liviano, compacto y sofisticado del Cassida C200 se adaptará fácilmente a su entorno de negocios.

1.2 Contenido de la caja

- Contador/clasificador/empaquetador automático de monedas Cassida C200
- Manual del usuario
- Paño de limpieza
- Tubos de monedas

1.3 Vistas delantera y trasera



- | | |
|------------------------------------|---|
| 1. Panel de control | |
| 2. Embudo para monedas | Contiene las monedas que se contarán. |
| 3. Bandejas de monedas | Cada bandeja contiene una denominación específica de moneda contada y clasificada. |
| 4. Cubierta protectora de plástico | Cuando se desmonta, proporciona acceso al mecanismo de conteo para propósitos de limpieza y reparación. |
| 5. Panel de acceso trasero | Proporciona fácil acceso al mecanismo interior para extraer objetos extraños y monedas. |
| 6. Interruptor de encendido | Enciende y apaga la máquina. |

1.4 Panel de control



Nombre	Función
START/STOP	Inicia o detiene el funcionamiento de la máquina
C	Borra el visor y reinicia el conteo
SET	Muestra las cantidades por lote configuradas para cada denominación
BAT	Selecciona las cantidades por lote predeterminados (0, 10, 20, 25, 50, 80, 100, 120, 150, 200, 300, 400, 500)
- (Minus)	Reduce la cantidad por lote a un valor de 1 También se utiliza para borrar todas las cantidades por lote cuando se presiona durante 2 a 3 segundos
+ (Plus)	Aumenta la cantidad por lote a un valor de 1 Se alterna entre el informe de valor y el de cantidad También se utiliza para configurar las cantidades por lote para los rollos de monedas cuando se presiona durante 3 a 4 segundos
REPORT	Muestra el valor (o la cantidad) de monedas contadas para cada denominación

1.5 Especificaciones

Capacidad del embudo	Hasta 2000 monedas (de diez centavos)		
Capacidades de las bandejas de monedas	Denominación	Modelo estadounidense	Modelo canadiense
	\$2	no disponible	125
	\$1	130	130
	25¢	350	190
	10¢	900	350
	5¢	450	200
	1¢	300	300
Rango de lotes	0 a 500 monedas		
Visor del panel de control	LED de 7 dígitos		
Dimensiones	284mm (ancho) x 260mm (altura) x 275mm (profundidad) 11,18" (28.4 cm)(ancho) x 10,24" (26 cm) (altura) x 10,83" (27.5 cm) (profundidad)		
Peso	3,95 kg (8.7 lbs)		
Velocidad de conteo	hasta 300 monedas por minuto		
Potencia de alimentación	110 VAC / 60 Hz		
Consumo de energía	Máximo de 45 vatios		
Temperatura ambiente	0°C - 40°C (32°F - 104°F)		
Humedad ambiente	30 a 80%		

1.6 Notas de seguridad importantes

Cuando utilice esta unidad, siempre debe respetar las medidas básicas de seguridad, que incluyen las siguientes:

- No utilice esta unidad en áreas en las que podría estar expuesta al agua o a otros líquidos.
- Sólo utilice el cable de alimentación suministrado con la máquina. Enchufe el cable de alimentación en un tomacorriente de pared conectado a tierra correctamente. No quite la clavija de conexión a tierra del cable de alimentación. No conectar a tierra la máquina de forma adecuada puede provocar lesiones severas o un incendio.
- Asegúrese de que la unidad esté instalada sobre una superficie plana. No opere la máquina en áreas con alta temperatura, humedad o humo, ya que estas condiciones pueden impedir el funcionamiento adecuado.
- No inicie la unidad cuando el panel de acceso trasero esté abierto. Asegúrese de que no haya monedas en el embudo cuando la máquina se encienda por primera vez.
- Cuando no utilice la unidad durante un período prolongado, desconecte el cable de alimentación del tomacorriente de pared.
- Desenchufe la unidad del tomacorriente de pared antes de limpiarla. Utilice un paño húmedo o accesorios diseñados específicamente, como el removedor de polvo en aerosol Cassida o un cepillo de cerdas suaves.
- Para evitar el riesgo de descarga eléctrica, no desmonte esta unidad. El desmontaje lo expondrá a voltajes peligrosos y a otros riesgos a su seguridad. El reensamblaje incorrecto puede causar una descarga eléctrica la próxima vez que se use la máquina.
- Lleve la unidad a un técnico calificado cuando sea necesario el servicio o la reparación. No intente reemplazar ninguna pieza usted mismo.

2. INICIO

2.1 Encendido

IMPORTANTE: Antes de encender el Cassida C200, asegúrese de que no haya monedas en el embudo. Esto producirá un error "ER" cuando se ejecute la autocomprobación del C200. Para borrar el error "ER", presione el botón "START/STOP" y luego vacíe las bandejas que contengan monedas.

Presione el interruptor de encendido ubicado en la parte trasera de la unidad. La máquina realizará una autocomprobación. El visor principal mostrará "ER" cuando la prueba se haya completado con éxito.

2.2 Conteo

El C200 siempre funciona en un modo de preparación de lotes. Para habilitar el conteo simple, todas las cantidades por lote deben estar configuradas en cero. Para configurar las cantidades por lote a cero, mantenga presionado el botón "-" durante aproximadamente tres segundos hasta que aparezca "C" en el lado izquierdo del visor LED.

- Antes de cargar el embudo, asegúrese de que no contenga monedas no contabilizados del conteo anterior
- Para contar las monedas, colóquelas en el embudo y presione el botón "START/STOP".
- El C200 comenzará a contar y clasificará automáticamente todas las monedas depositándolas en las bandejas adecuadas.
- La máquina se detendrá automáticamente cuando se hayan contado todas las monedas del embudo, o si se alcanza la cantidad por lote para cualquier denominación de moneda.
- Para detener la máquina, presione el botón "START/STOP".

- Para reanudar el conteo, presione el botón "START/STOP".
- Cuando una bandeja de monedas se llene, detenga la máquina y vacíe la bandeja para garantizar el funcionamiento correcto de la máquina. Detener la máquina no alterará ni reiniciará el conteo. Puede continuar el conteo presionando el botón "START/STOP."
- A medida que realiza el conteo, el visor del Cassida C200 mostrará automáticamente el valor total de las monedas contadas.
- Para ver el valor de las monedas contadas para cada denominación, presione el botón "REPORT". Aparecerá la denominación en la parte izquierda y el valor de las monedas contadas en la parte derecha del visor. Para que se muestre el número de monedas contadas, presione el botón "+".

Mientras permanece en el modo REPORT (informe), al presionar el botón "+", el visor se alternará entre el valor de las monedas contadas o el número de monedas contadas. El C200 recordará la última configuración elegida para la visualización del informe.

- Para reiniciar el conteo de monedas antes de comenzar un nuevo lote, presione el botón "C".

2.3 Suma

El C200 opera en el modo ADD (suma) por defecto. En el modo ADD, el conteo de monedas se suma al conteo de lotes anteriores. Para comenzar un nuevo conteo, presione el botón "C". Esto reiniciará el conteo de monedas a cero.

2.4 Configuración de las cantidades por lote

Puede agrupar la cantidad deseada de cada denominación de moneda. Se puede asignar una cantidad por lote a cada denominación.

1. Configuración de las cantidades por lote para los rollos de monedas

- Mantenga presionado el botón "+" durante aproximadamente tres segundos hasta que aparezca "L" en el visor. Esto programa automáticamente cada denominación de moneda para las cantidades de rollos de monedas bancarios, de la siguiente manera:

\$2	25 (modelo canadiense únicamente)
\$1	25
25¢	40
10¢	50
5¢	40
1¢	50

2. Configuración de otras cantidades por lote

- Presione "Set" hasta que aparezca la denominación deseada en la parte izquierda del visor.
- Para asignar una cantidad por lote para esta denominación, presione el botón "BAT" hasta que en el visor aparezca la cantidad por lote deseada
- {0, 10, 20, 25, 50, 80, 100, 120, 150, 200, 300, 400, 500}. Pueden realizarse ajustes precisos a la cantidad por lote presionando el botón "-" o "+".
- Repita el procedimiento para las cantidades deseadas por lote para otras denominaciones de moneda.

El C200 se detendrá cuando se complete una cantidad por lote deseada de cualquiera de las denominaciones. La denominación se mostrará en la parte izquierda del visor y el conteo total de esa denominación aparecerá en el lado derecho.

NOTA: Cuando funcione en el modo de lote (BAT), el C200 mantendrá un total acumulado para cada denominación de moneda. Por ejemplo, después de que se hayan expedido cuatro lotes de 50 monedas de un centavo, el C200 se detendrá y mostrará:

¢ 200 (informe de cantidad)
o
¢ 2.00 (informe de valor)

Para reanudar el conteo, presione el botón "START/STOP".

Al presionar el botón "C" se reiniciará el conteo y la máquina comenzará a preparar lotes de cero.

Las cantidades por lote que elija se guardarán en la memoria interna del C200 y no se reiniciarán cuando la máquina se apague.

2.5 Eliminación de las cantidades por lote

Puede borrar todas las cantidades por lote manteniendo presionado el botón "-" durante aproximadamente tres segundos. Luego, el C200 producirá un pitido y mostrará el mensaje "C" en el panel de control, lo que indica que todas las cantidades por lote se han reiniciado a cero.

2.6 Uso de los accesorios del tubo de monedas

Los accesorios del tubo de monedas del C200 le permiten clasificar la monedas depositándolas directamente en envoltorios de papel prefabricados para rollos bancarios.

Para utilizar los accesorios del tubo de monedas, realice los siguientes pasos:

- Extraiga la/s bandeja/s para las monedas de la denominación que utilizarán los tubos de monedas.
- Introduzca el envoltorio de papel prefabricado adecuado en los tubos de monedas con el extremo plegado hacia abajo. Asegúrese de que la parte superior del envoltorio de papel se encuentre debajo del borde superior del tubo de monedas, como se muestra en la figura 1.

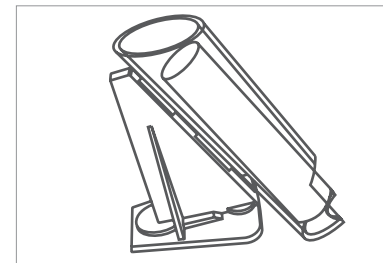


Figura 1 - Rollo de monedas introducido en el tubo de monedas

3. MANTENIMIENTO Y SOLUCIÓN DE PROBLEMAS

3.1 Mantenimiento

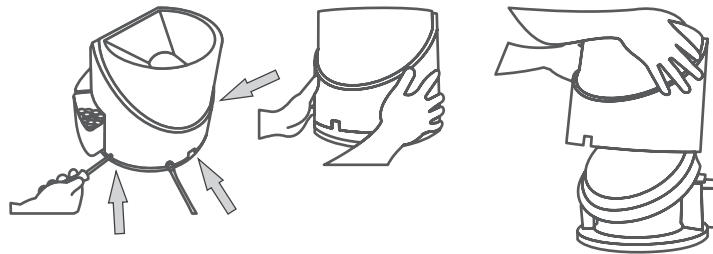
La mayoría de los problemas de funcionamiento pueden evitarse mediante el control periódico y el mantenimiento preventivo. Controlar periódicamente el clasificador de monedas ampliará significativamente su vida útil y le ayudará a evitar reparaciones costosas.

IMPORTANTE: Siempre debe apagar la máquina y desconectar el cable de alimentación antes de limpiarla.

Para obtener los mejores resultados de su máquina, se recomienda el siguiente mantenimiento periódico:

- Limpie todas las piezas exteriores de la máquina con un removedor de polvo en aerosol Cassida o un paño suave. No utilice solventes, debido a que pueden dañar el C200.
- Limpie todos los sensores siguiendo el procedimiento que se describe a continuación.

1. Extraiga los tres tornillos de la cubierta protectora y levántela con cuidado.
2. Limpie todos los sensores y otras piezas que presenten polvo con un removedor de polvo en aerosol Cassida y una escobilla CleanPro. Consulte la figura 6 para ver las ubicaciones de los sensores.
3. Vuelva a colocar la cubierta protectora. La cubierta protectora debe estar alineada adecuadamente con el cable de alimentación de CA en la parte trasera de la máquina. No coloque la cubierta protectora aplicando demasiada fuerza, ya que esto puede dañar el mecanismo de alimentación de monedas que tiene incorporado la cubierta.



Limpie todos los sensores y otras piezas que presenten polvo con un aire comprimido o un cepillo de cerdas suaves

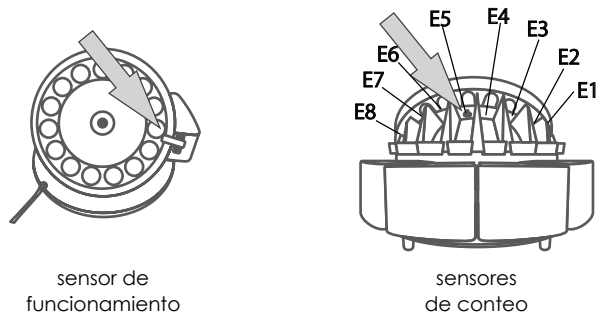


Figura 6 - Ubicaciones de los sensores

3.2 Solución de problemas

Visualización de mensaje de error

Código de error	Causa	Medida correctiva
E1 - EB	Un sensor de conteo puede haber acumulado polvo o estar tapado por un objeto extraño.	Limpie el sensor de conteo con un removedor de polvo en aerosol Cassida y una escobilla CleanPro (consulte la sección 3.1). Inspeccione los orificios de salida de monedas para comprobar la posible presencia de material extraño (gomas elásticas, papel, etc.)
E9	El sensor de funcionamiento no detecta la rotación del disco de monedas.	Limpie el sensor de funcionamiento (consulte la sección 3.1). Inspeccione el interior de la máquina para comprobar la posible presencia de material extraño que esté impidiendo la rotación del disco de monedas. Si el error continúa, comuníquese con el Soporte Técnico de Cassida (consulte la sección 3.3).
ER	1. Hay monedas en el embudo al encender la máquina. 2. Sensor de monedas con suciedad.	1. Presione el botón "START/STOP" para borrar el error. Extraiga las monedas que haya en las bandejas y vuélvalas a colocar en el embudo. 2. Limpie el sensor de monedas con una escobilla CleanPro (consulte la sección 3.1).

3.3 Garantía

Registro de garantía:

Para activar su garantía, registre su producto en línea visitando <http://cassidausa.com/register.html> o <http://cassidaglobal.com>

En la mayoría de los casos, el mal funcionamiento de la máquina puede resolverse con la limpieza de la unidad. Consulte la sección 3.1 para obtener instrucciones.

3.4 Información de contacto

Información de contacto del Soporte Técnico:

correo electrónico: technicalsupport@cassidausa.com
teléfono: +1 888 800 0303
<http://cassidausa.com>
o <http://cassidaglobal.com>

