

Video Distribution Amplifier Card

Bittree® DABFX Video Distribution Amplifier Card
 for use with DAF32FX Video Distribution Frame
(sold separately)

DABFX Video Distribution Amplifier Card (DA)

Technical Specifications:

- 1 in x 4 out
- Half normalizing source jack
- DA input jack
- Copper or Fiber in (w/optional SFP)
- Copper and Fiber out (w/optional SFP)
- Hybrid Capable of being IP Host to Digital Video (w/optional SFP)
- Auto equalizing
- Multi-rate reclocking up to 12Gb/s
- Supports all HD/SD formats
- Supports AES & Madi

Input

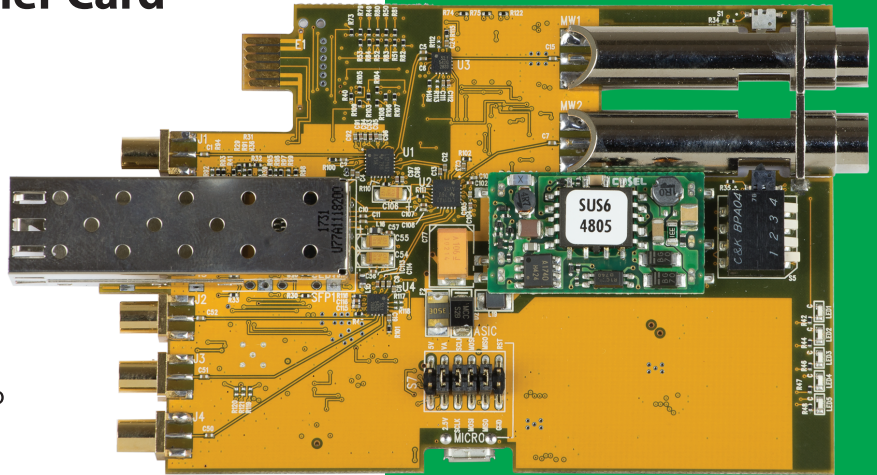
- Number of Inputs 1
- Input Connection DIN 1.0/2.3 or Fiber/Copper (w/optional SFP)
- Input Impedance 75 Ohm
- Input Return Loss
 - > 15dB to 1.5GHz
 - > 10dB to 3GHz
 - > 5dB to 12GHz
- Signal Level 800mV +/-10%

Output

- Outputs 3 Coax, 1 Fiber
- Output Connection Din or Fiber/Copper (w/optional SFP)
- Output Impedance 75 Ohm
- Output Return Loss
 - > 15dB to 1.5GHz
 - > 10dB to 3GHz
 - > 5dB to 12GHz

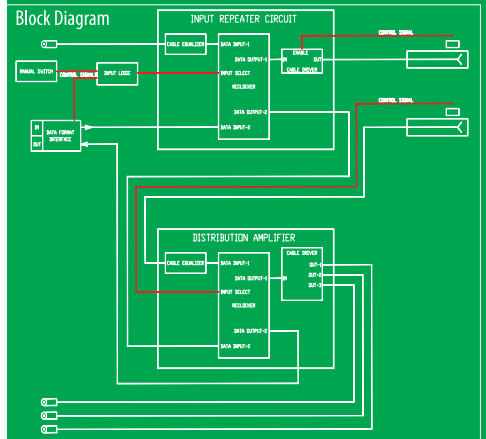
Performance

- Standards SMPTE 424M, 292M, 259M, 344M, ST2081, ST2082, ST2110
- MSA standard SFP pinout
 - Non MSA standard SFP pinout available upon request
 - Note: All dual input or output SFP's are non MSA standard
 - Recommend medium haul 10KM fiber SFP non reclocking type
- Data Rates 143, 177, 270, 360, 540, 1485, 2970, 5940, 11880 Mb/s
- Max Cable Length @ 11.88 GHz
 - Belden 4855R 149FT / 45M
 - Belden 4505R 208FT / 63M
 - Fiber cable length dependant on SFP and fiber type utilized
- Equalization Mode Automatic Multi-Rate Reclocking
- Signal Level 800mV Nominal
- DC Offset 0V +/-0.5V
- Rise & Fall Time 200ps nominal

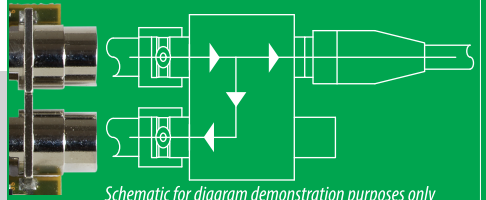


- Yellow: Fiber Input Selected
- Green: Receiver has Light
- Red: No Signal Input
- Blue: Input Signal is Locked
- Yellow: ON: SFP Transmitter Fault
(will also stay on if RX Only SFP is used)

- 4 DOWN: HD Slew Rate / UP: SD Slew Rate
- 3 DOWN: TX On / UP: TX Off
- 1 UP or DOWN & 2 DOWN: Coax in Always
- 1 UP & 2 UP: Fiber in Always
- 1 DOWN & 2 UP: Automatic Input Select
*If Light Sensed, Switches to Fiber
 If No-Light Sensed, Switches to Coax*



Electronically Half Normalizing Monitor Source Jack



About Bittree:

Established in 1978, Bittree is dedicated to offering state-of-the-art patchbays and patch panels that streamline signal routing and troubleshooting in media and entertainment operations of all sizes.

The company offers an innovative line of audio, video, and data patchbays for use in broadcasting, postproduction, and pro A/V operations. Tailored for use in the post-production, pro A/V, systems integration, and radio and television broadcasting fields, Bittree's patching solutions are rigorously tested to ensure long-term functionality and dependability, especially for mission-critical operations and live events. To ensure consistency, performance, and adherence to rigid quality standards, all of the company's patching products are designed, assembled, and tested in its state-of-the-art facility in Glendale, California. Bittree is an active member of industry trade organizations NAB (National Association of Broadcasters), NAMM (National Association of Music Merchants), and SMPTE (Society of Motion Picture & Television Engineers). For more information, please visit www.bittree.com.



Bittree, Inc.
 600 W Elk Ave,
 Glendale, CA
 91204 USA



Bittree.com