

HDM-C6IP-SET
HDMI LAN Extender up to 100m
over Single CAT5/6

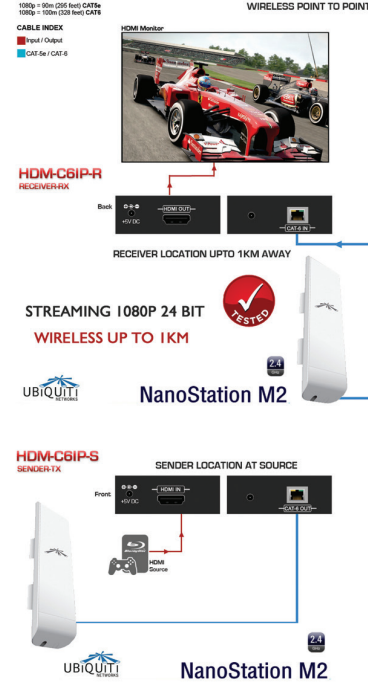
HDMI LAN EXTENDER



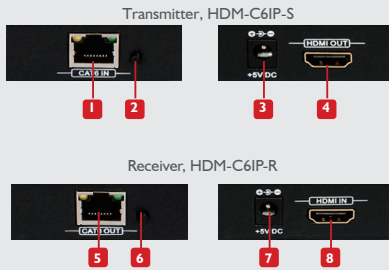
KEY FEATURES

- Extends HDMI up to 95m/100m over single CAT5E/6;
- Supports HDMI, EDID, HDCP;
- Supporting the point to point transmission function currently which can be expanded to the multi-point to point transmission function;
- Requires a managed Gigabit switch with VLAN/IGMP support to have a solution with multiple sources (Transmitters) Standard Gigabit switch can only support one transmitter;
- The managed switch must support port based IEEE 802.1Q VLAN, IGMP, and to allow duplicate IP addresses across the VLAN domains;
- Each VLAN acts as independent HDMI over IP Channel on the network;
- Number of Tx and Rx that can be used is dependent on bandwidth of the switch (Recommended Gigabit switch 10/1000);
- Managed switches can be cascaded up to 3 levels, allowing the farthest display to be located up to 300 meters away from the source device. Each receiver can be located up to 100 meters away;
- Uses M-JPEG technology to process image compression on a fixed bandwidth.

HDM-C6IP-SET



PANEL DESCRIPTION



- | | |
|---------------|----------------|
| 1 CAT5E/6 In | 2 SYNC/REFRESH |
| 3 +5V DC | 4 HDMI Out |
| 5 CAT5E/6 Out | 6 SYNC/REFRESH |
| 7 +5V DC | 8 HDMI In |



ITEM

SPECIFICATION

Units	HDM-C6IP-S / HDM-C6IP-R
Unit Description	HDMI Transmitter / HDMI Receiver
Video Bandwidth	M-JPEG technology to process image compressing GIGABIT
Supported Resolutions Input:	480i@60Hz, 480p@60Hz, 576i@50Hz, 576p@50Hz, 720p@50/60Hz, 1080i@50/60Hz, 1080p@50/60Hz
Output:	720p@50/60Hz, 1080p@50/60Hz
Resolution and Distance (24-bit)	Full HD: (1080p) 95meter (295feet) (CAT5e) / 100meter (328feet) (CAT6)
Audio Support	Surround Sound (up to 7.1 Ch) or Stereo Digital Audio
HDMI Connector	Type A (19 pin female)
RJ45 Connector	WE/SS 8P8C with 2 LED indicators
Weight	0.87 lbs
Dimensions (L x W x H)	Both Tx & Rx: 4.3"x 2.2"x 1"
Power Adapter	2 X DC 5V/1A
Power Consumption	Both Tx & Rx: 3W (max)

HDM-C6IP-SET

1080p = 90m (295 feet) CAT5e
 1080p = 100m (328 feet) CAT6

CABLE INDEX
■ Input / Output
■ CAT-5e / CAT-6

Application Diagram 1

POINT TO POINT



HDM-C6IP-R RECEIVER-RX



RECEIVER LOCATION 100m [328ft] AWAY

HDM-C6IP-S SENDER-TX



SENDER LOCATION AT SOURCE



HDM-C6IP-SET

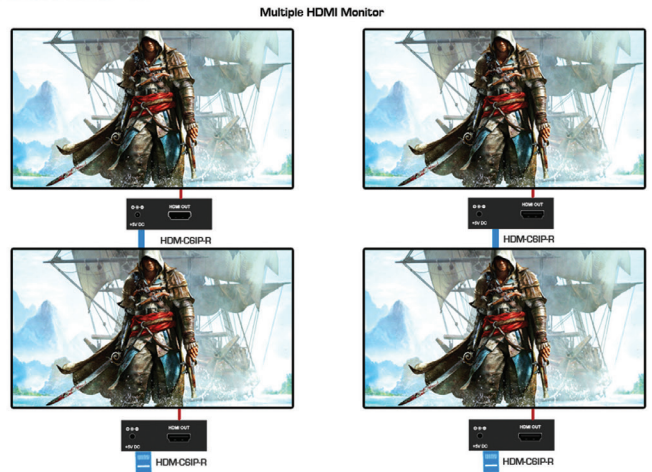
CABLE INDEX
■ Input / Output
■ CAT-5e / CAT-6

HDM-C6IP-R

Application Diagram 2

LAN / SWITCH CONNECTION

1080p = 90m (295 feet) CAT5e
 1080p = 100m (328 feet) CAT6



HDM-C6IP-S



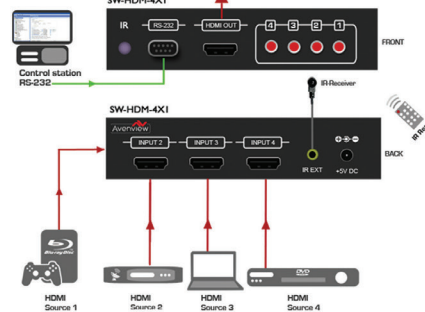
Managed GB with VLAN/IGMP
(Max 150 Outputs)

100 meters from switch

AT REMOTE LOCATION
(100m from switch)

SW-HDM-4X1

ADD THIS DEVICE TO SWITCH MULTIPLE INPUTS



Avenview USA
 Avenview Head Office
 275 Woodward Avenue
 Kenmore, NY 14217
 Phone: 1.716.218.4100
 Fax: 1.866.387.8764
 Email: info@avenview.com

Avenview Canada
 Avenview Sales
 151 Esna Park Drive, Units 11 & 12
 Markham, ON, L3R 3B1
 Phone: 1.905.907.0525
 Fax: 1.866.387.8764
 Email: info@avenview.com

Avenview Europe
 Avenview Europe
 Demkweg 11
 3555 HW Utrecht
 Netherlands
 Phone: +31(0)85.2100.613
 Email: info@avenview.eu

Avenview Hong Kong
 Unit 8, 6/F, Kwai Cheong Centre,
 50 Kwai Cheong Road,
 Kwai Chung, N.T.
 Hong Kong
 Phone: 852.3575.9585
 Email: asia@avenview.com