



Simply Better Connections

VE2812R-VE2812PR

HDMI HDBaseT Receiver with Audio
De-Embedding / Bi-directional PoH
User Manual

Compliance Statements

FEDERAL COMMUNICATIONS COMMISSION INTERFERENCE STATEMENT

This equipment has been tested and found to comply with the limits for a Class A digital device, pursuant to Part 15 of the FCC Rules. These limits are designed to provide reasonable protection against harmful interference when the equipment is operated in a commercial environment. This equipment generates, uses, and can radiate radio frequency energy and, if not installed and used in accordance with the instruction manual, may cause harmful interference to radio communications. Operation of this equipment in a residential area is likely to cause harmful interference in which case the user will be required to correct the interference at his own expense.

The device complies with Part 15 of the FCC Rules. Operation is subject to the following two conditions: (1) this device may not cause harmful interference, and (2) this device must accept any interference received, including interference that may cause undesired operation.

FCC Caution

Any changes or modifications not expressly approved by the party responsible for compliance could void the user's authority to operate this equipment.

Warning

Operation of this equipment in a residential environment could cause radio interference.

Achtung

Der Gebrauch dieses Geräts in Wohnumgebung kann Funkstörungen verursachen.



KCC Statement

유선 제품용 / A 급 기기 (업무용 방송 통신 기기)
이 기기는 업무용 (A 급) 전자파적합기기로서 판매자 또는 사용자는 이
점을 주의하시기 바라며, 가정 외의 지역에서 사용하는 것을 목적으로
합니다.

Industry Canada Statement

This Class A digital apparatus complies with Canadian ICES-003.

CAN ICES-003 (A) / NMB-003 (A)

HDMI Trademark Statement

The terms HDMI, HDMI High-Definition Multimedia Interface, and the HDMI Logo are trademarks or registered trademarks of HDMI Licensing Administrator, Inc.



RoHS

This product is RoHS compliant.

User Information

Online Registration

Be sure to register your product at our online support center:

International	http://eservice.aten.com
---------------	---

Telephone Support

For telephone support, call this number:

International	886-2-8692-6959
China	86-400-810-0-810
Japan	81-3-5615-5811
Korea	82-2-467-6789
North America	1-888-999-ATEN ext 4988 1-949-428-1111

User Notice

All information, documentation, and specifications contained in this manual are subject to change without prior notification by the manufacturer. The manufacturer makes no representations or warranties, either expressed or implied, with respect to the contents hereof and specifically disclaims any warranties as to merchantability or fitness for any particular purpose. Any of the manufacturer's software described in this manual is sold or licensed as *is*. Should the programs prove defective following their purchase, the buyer (and not the manufacturer, its distributor, or its dealer), assumes the entire cost of all necessary servicing, repair and any incidental or consequential damages resulting from any defect in the software.

The manufacturer of this system is not responsible for any radio and/or TV interference caused by unauthorized modifications to this device. It is the responsibility of the user to correct such interference.

The manufacturer is not responsible for any damage incurred in the operation of this system if the correct operational voltage setting was not selected prior to operation. PLEASE VERIFY THAT THE VOLTAGE SETTING IS CORRECT BEFORE USE.

Product Information

For information about all ATEN products and how they can help you connect without limits, visit ATEN on the Web or contact an ATEN Authorized Reseller. Visit ATEN on the Web for a list of locations and telephone numbers:

International	http://www.aten.com
North America	http://www.aten-usa.com

Package Contents

Check to make sure that all the components are in working order. If you encounter any problem, please contact your dealer.

VE2812R

- 1 VE2812R HDMI HDBaseT Receiver with Audio De-Embedding
- 1 RS-232 terminal block
- 4 foot pads
- 1 power adapter
- 1 user instructions

VE2812PR

- 1 VE2812PR HDMI HDBaseT Receiver with Audio De-Embedding / Bi-directional PoH
- 1 RS-232 terminal block
- 1 foot pad set (4 pcs)
- 1 power adapter
- 1 user instructions

Table of Contents

Compliance Statements	ii
User Information	iv
Online Registration	iv
Telephone Support	iv
User Notice	iv
Product Information	v
Package Contents	vi
Table of Contents	vii
About this Manual	ix
Conventions	x

1. Introduction

Overview	1
Features	2
Planning the Installation	3
Requirements	3
Considerations	3
Compatible Products	3
Components	4
VE2812R Front View	4
VE2812R Rear View	5
VE2812PR Front View	6
VE2812PR Rear View	7
VE2812R LED Display	8
VE2812PR LED Display	9

2. Hardware Setup

Mounting the VE2812R Unit	11
Wall Mounting	11
Rack Mounting	11
Connecting the VE2812R Unit	12
Connecting the VE2812PR Unit	14
RS-232 Channel Transmission	16

3. Operation

RS-232 Serial Transmission	17
Bypass	17
Command	17
Command to Control VE2812R / VE2812PR	18
Command to Control VE2812AT / VE2812AUST / VE2812AEUT	19
Command to Control VE3912T	19
Long Reach Mode	20

Appendix

Safety Instructions	21
General	21
Rack Mounting	23
Technical Support	24
International	24
North America	24
Specifications	25
VE2812R	25
VE2812PR	27
Limited Warranty	29

About this Manual

This user manual is provided to help you get the most from the VE2812R / VE2812PR unit. It covers all aspects of installation, configuration, and operation. An overview of the information found in the manual is provided below.

Chapter 1, Introduction introduces you to the VE2812R / VE2812PR. Its purpose, features, installation considerations, and panel components are presented and described.

Chapter 2, Hardware Setup describes the steps that are necessary to quickly and safely set up your installation.

Chapter 3, Operation explains the limitations, and how to adjust audio channel using the a switch and RS-232 commands.


Appendix provides a list of safety instructions and precautions, contact information for ATEN technical support, product specifications, and other technical information.

Note:

- ◆ Read this manual thoroughly and follow the installation and operation procedures carefully to prevent any damage to the unit or any connected devices.
 - ◆ The product may be updated, with features and functions added, improved or removed since the release of this manual. For an up-to-date user manual, visit <http://www.aten.com/global/en/>
-

Conventions

This manual uses the following conventions:

- | | |
|---|--|
| Monospaced | Indicates text that you should key in. |
| [] | Indicates keys you should press. For example, [Enter] means to press the Enter key. If keys need to be chorded, they appear together in the same bracket with a plus sign between them: [Ctrl+Alt]. |
| 1. | Numbered lists represent procedures with sequential steps. |
| ◆ | Bullet lists provide information, but do not involve sequential steps. |
| > | Indicates selecting the option (on a menu or dialog box, for example), that comes next. For example, Start > Run means to open the <i>Start</i> menu, and then select <i>Run</i> . |
|  | Indicates critical information. |

Chapter 1

Introduction

Overview

Featuring powerful Class A HDBaseT technology, the VE2812R / VE2812PR is a receiver for 4K HDMI video, audio, and control signals over a distance of up to 100 m via a Cat 5e / 6 / 6a or ATEN 2L-2910 Cat 6 cable. HDMI signal transmission extends further up to 150 m @ 1080p when the HDBaseT Long Reach Mode is enabled.

Designed to optimize flexibility, the VE2812PR ships with 2-way PoH capability, either allowing a PoH PD-enabled Tx (VE2812AT series is recommended) to be remotely powered by the locally powered VE2812PR, or enabling power distribution along the cable from a PoH PSE-enabled Tx (VE1812T is recommended) to the VE2812PR.

Speaking of VE2812R / VE2812PR's audio de-embedding, audio signal can be extracted from the incoming HDMI source and then transmitted through Coaxial or Stereo output to external audio distribution systems. The VE2812R / VE2812PR gives users the extra convenience when it comes to extending control and communication signals via the built-in RS-232 and bi-directional IR ports. Plus, it is HDCP 2.2 compliant and supports HDMI specification features, such as 4K2K, 3D, Deep Color, and CEC for reliable transmission of high-quality uncompressed HDMI content.

With all highlights packed in a compact enclosure, the VE2812R / VE2812PR assures easy and discreet installation, keeping the presentation space tidy. It is ideal for small / mid-sized areas where 4K HDMI and control signal transmission over a long distance is required, such as boardrooms, lecture halls, and digital signage applications.

Features

- ◆ Transmits 4K HDMI up to 100 m / 330 ft via Cat 5e / 6 / 6a or ATEN 2L-2910 Cat 6 cable
- ◆ Transmits HDMI up to 150 m / 492 ft @ 1080p in HDBaseT Long Reach Mode
- ◆ Bi-direction PoH*:
 - ◆ Allows a PoH PD-enabled Tx to be remotely powered by the locally powered VE2812PR
 - ◆ Enables power distribution from a PoH PSE-enabled Tx to the VE2812PR over the cable
- ◆ Audio de-embedding — extracts audio stream from the HDMI source and delivers as a separate audio from HDMI to Coaxial S/PDIF, or Stereo audio output
- ◆ Supports Audio EDID Switching (2ch Stereo, 5.1ch Surround sound, and AUTO)
- ◆ RS-232 serial communication switch — switch between command mode and bypass mode for various application requirements
- ◆ Supports bi-directional IR signal transmission (IR transmission is processed one direction at a time)
- ◆ HDMI (3D, Deep Color, 4K); HDCP 2.2 compliant
- ◆ Firmware upgradable
- ◆ Built-in 8KV / 15KV ESD protection
- ◆ Plug-and-play
- ◆ Rack-mountable using the VE-RMK1U

Note: The bi-directional PoH capability is only supported on VE2812PR.

Planning the Installation

Requirements

Prepare the following before installing the VE2812R / VE2812PR unit:

- ◆ 1 HDMI display device
- ◆ 1 Cat 5e/6/6a or ATEN 2L-2910 Cat 6 cable

Considerations

- ◆ To ensure video quality, use a Cat 5e/6/6a cable.

Note: For best results, ATEN recommends using the ATEN 2L-2910 Cat 6 cable.

- ◆ The maximum transmission distance varies at different parts of the transmission:

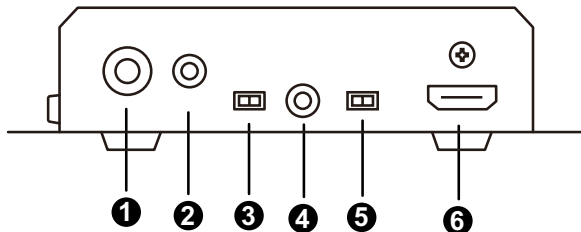
Connection	Interface	Max. Distance
The VE2812R / VE2812PR to a compatible ATEN Video Extender Transmitter	Cat 5e/6/6a	100 m / 150 m (up to 1080p in Long Reach Mode)
The VE2812R / VE2812PR to a display	HDMI	3 m

Compatible Products

The VE2812R / VE2812PR is designed to work with VE2812AT / VE2812AUST / VE2812AEUT / VE3912T, and also compatible with a wide range of ATEN video splitters, video switches, video extender transmitters, and video converters. Visit our official web site for more details.

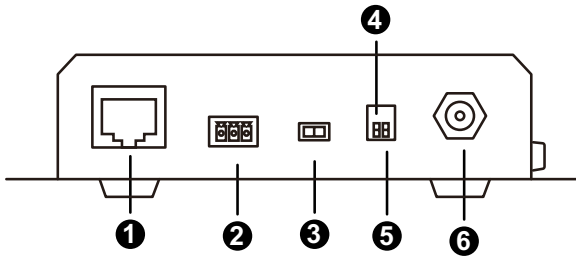
Components

VE2812R Front View



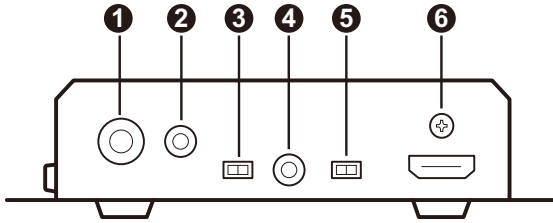
No.	Component	Description
1	audio out (coaxial)	Connects to the audio in (coaxial) port on a speaker.
2	audio out (stereo)	Connects to the audio in (stereo) port on a speaker.
3	audio channel switch	Use the switch to set the audio channel to 2.1 ch, 5.1 ch, or auto.
4	IR port	Connects to an IR emitter / receiver.
5	HDMI audio out switch	To mute the audio on the connected HDMI display, put the HDMI audio out switch to OFF .
6	HDMI video out	Connects to the HDMI in port on the display device.

VE2812R Rear View

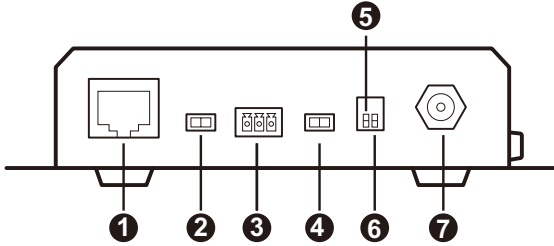


No.	Component	Description
1	HDBaseT in	Connects to the HDBaseT output port on a compatible ATEN video transmitter via a Cat 5e / 6 / 6a / ATEN 2L-2910 cable.
2	RS-232 serial port	Connects to an RS-232 main controller, such as a PC or Control system.
3	RS-232 serial communication switch	Sets the RS-232 serial interface for signal Bypass or Command . For details, see page 17.
4	long reach mode switch	Put the switch to ON to enable the long reach mode. For more details on long reach mode, see page 20.
5	firmware upgrade switch	This port is reserved for ATEN Technical Support. If you would like to do a firmware upgrade yourself, please contact your dealer.
6	power jack	Connects to the power adapter.

VE2812PR Front View



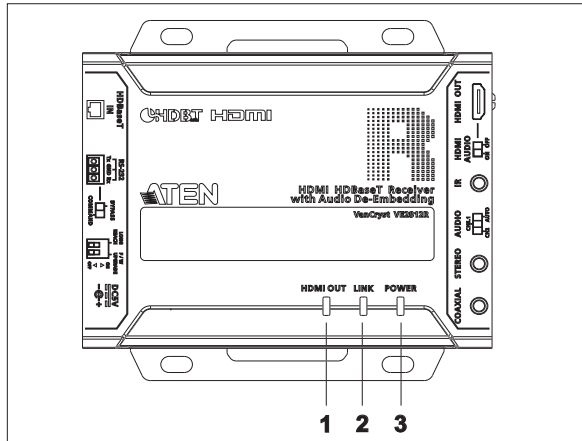
No.	Component	Description
1	audio out (coaxial)	Connects to the audio in (coaxial) port on a speaker.
2	audio out (stereo)	Connects to the audio in (stereo) port on a speaker.
3	audio channel switch	Use the switch to set the audio channel to 2.1 ch, 5.1 ch, or auto.
4	IR port	Connects to an IR emitter / receiver.
5	HDMI audio out switch	To mute the audio on the connected HDMI display, put the HDMI audio out switch to OFF .
6	HDMI video out	Connects to the HDMI in port on the display device.

VE2812PR Rear View

No.	Component	Description
1	HDBaseT in	Connects to the HDBaseT output port on a compatible ATEN video transmitter via a Cat 5e / 6 / 6a / ATEN 2L-2910 cable.
2	PoH PSE & PD switch	Sets the unit between PSE and PD mode. <ul style="list-style-type: none"> ◆ PSE: The unit receives power from the power adapter and delivers power to a PoH PD-supported device through its HDBaseT input port. ◆ PD: The unit receives power from a PoH PSE-enabled Tx through its HDBaseT input port.
3	RS-232 serial port	Connects to an RS-232 main controller, such as a PC or Control system.
4	RS-232 serial communication switch	Sets the RS-232 serial interface for signal Bypass or Command . For details, see page 17.
5	long reach mode switch	Put the switch to ON to enable the long reach mode. For more details on long reach mode, see page 20.
6	firmware upgrade switch	This port is reserved for ATEN Technical Support. If you would like to do a firmware upgrade yourself, please contact your dealer.
7	power jack	Connects to the power adapter.

VE2812R LED Display

You can find the unit's LEDs on the top and front panel as illustrated below. See the table below for details on LED indication.



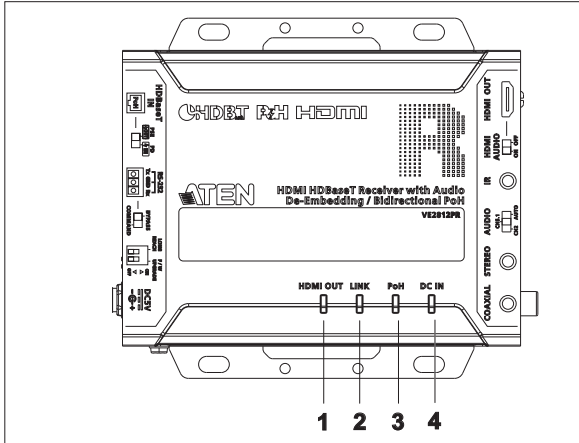
No.	LED	Indication	Description
1	HDMI out status LED	Lights orange	Video display is normal with HDCP key.
		Blinks orange	Video display is normal without HDCP key.
		Off	Video signal dropped.
2	link LED	Lights orange	The transmission from the transmitter to the receiver is stable.
		Off	The transmission from the transmitter to the receiver is unstable.
3	power LED	Lights green	The unit is powered on.
		Off	The unit is powered off.

Note:

- ◆ The power, link LED and HDMI out Status LEDs blink at the same time to indicate that the firmware upgrade is in progress.

VE2812PR LED Display

You can find the unit's LEDs on the top and front panel as illustrated below. See the table below for details on LED indication.



No.	LED	Indication	Description
1	HDMI out LED	Lights orange	Video display is normal with HDCP key.
		Blinks orange	Video display is normal without HDCP key.
		Off	Video signal dropped.
2	link LED	Lights orange	The transmission from the transmitter to the receiver is stable.
		Off	The transmission from the transmitter to the receiver is unstable.
3	PoH power LED	Lights green	The unit is receiving power through PoH and powered on.
		Off	The unit is not receiving power through PoH.
4	DC-in power LED	Lights green	The unit is receiving power from a power adapter and powered on.
		Off	The unit is not receiving power from a power adapter.

No.	LED	Indication	Description
-----	-----	------------	-------------

Note:

- ◆ The DC-in power LED and link LEDs blink at the same time to indicate that the firmware upgrade is in progress.
 - ◆ For power redundancy, connect the power jack to a power adapter and the HDBaseT input port to a PoH PSE-enabled Tx via a Cat 5e / 6 / 6a or ATEN 2L-2910 cable, and put the PoH PSE & PD switch to **PD**. Both the DC-in power and PoH power LEDs light green to indicate that the power redundancy is in effect.
 - ◆ When both the PoH power and DC-in power LEDs are off, the unit is powered off.
-

Chapter 2

Hardware Setup



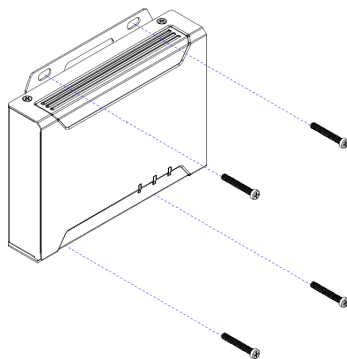
1. Please review the safety information regarding the placement of this device in *Safety Instructions*, page 21.
2. Do not power on the VE2812R / VE2812PR until all the necessary hardware is connected.

Mounting the VE2812R Unit

You can mount the VE2812R / VE2812PR to the wall or on a rack.

Wall Mounting

Secure or hang the VE2812R / VE2812PR unit to the wall using the built-in mounting brackets.



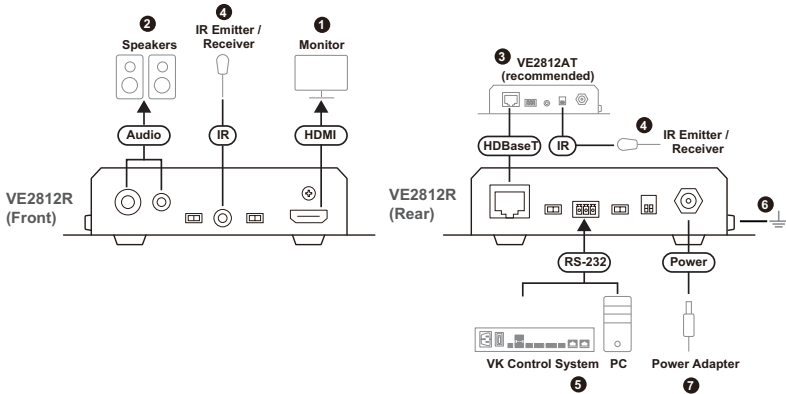
Rack Mounting

Use the VE-RMK 1U Rack Mount Kit to rack-mount the VE2812R / VE2812PR. For more information about this accessory, go to

<https://www.aten.com/global/en/products/professional-audiovideo/accessories/ve-rmk1u/>

Connecting the VE2812R Unit

Follow the steps below to connect the VE2812R to an HDMI-enabled display source, a compatible ATEN Video Transmitter, and other controls as required.



1. Connect an HDMI-enabled display to the VE2812R's HDMI out port.
2. Follow the steps below to set up your audio output.
 - a) To use an independent speaker, connect the speaker to the VE2812R's audio out port (coaxial or stereo) using an appropriate audio cable.
 - b) Depending on the interface of your chosen audio output device, adjust the audio signal using the audio channel switch.

Audio Interface	Audio Channel Switch	Description
Stereo	2 ch	Sets the audio output to channel 2.
Coaxial	5.1 ch	Sets the audio output to channel 5.1.
HDMI	Auto	Detects the supported audio channel of the connected HDMI display.

Note: Stereo audio will be muted if the channel is set to **CH5.1**.

- c) To mute the audio on the connected HDMI display, put the HDMI audio switch to **OFF**.
3. Connect the VE2812R's HDBaseT in port to a video transmitter's HDBaseT out port using a Cat 6a/ATEN 2L-2910 cable.

Note: ATEN recommends pairing the VE2812R with VE2812AT / VE2812AUST / VE2812AEUT / VE3912T.

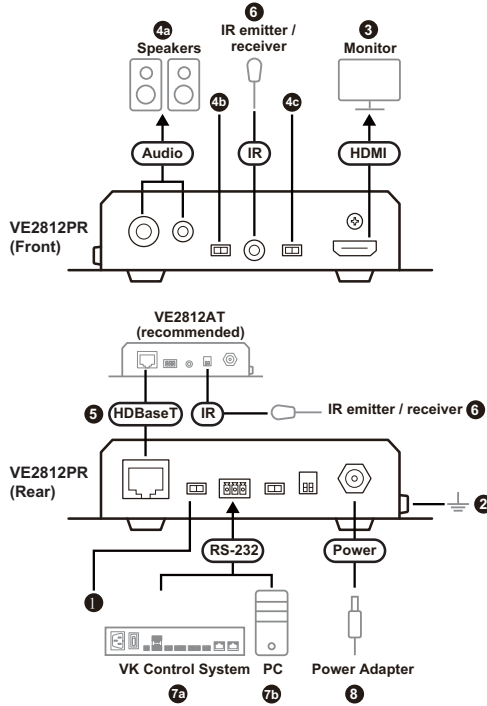
4. (Optional) To bypass IR signals to remotely control a device (e.g. blu-ray disc) connected to the video transmitter, connect an IR receiver to the VE2812R's IR port and an IR emitter to the VE2812AT / VE2812AUST / VE2812AEUT / VE3912T's IR port.

Note: To purchase an IR receiver and an IR remote control, contact your local sales representative for more information.

5. (Optional) You can use the RS-232 serial port to do one of the following:
 - ♦ To control the VE2812AT / VE2812AUST / VE2812AEUT / VE3912T using an ATEN Control System/Control Pad, connect a Control Box / Control Pad to the VE2812R's RS-232 serial port and then put the RS-232 serial communication switch to **Command**.
 - ♦ To bypass RS-232 serial control signals to a PC or a serial device, connect the PC or serial device (e.g. touch pad) to the VE2812R's RS-232 serial port and put the RS-232 serial communication switch to **Bypass**.
6. Ground the devices connected to the VE2812R to prevent damages from power surges or static electricity.
7. Plug the power cord into the VE2812R's power jack.

Connecting the VE2812PR Unit

Follow the steps below to connect the VE2812PR to an HDMI-enabled display source, a compatible ATEN Video Transmitter, and other controls as required.



- Before installation, please make sure the VE2812PR is set to PoH PSE or PoH PD mode using the DIP switch for your installation requirement.
 - Set the PoH PSE & PD switch to **PSE**: The VE2812PR receives power from the power adapter and delivers power to a PoH PD-supported device through its HDBaseT input port.
 - Set the PoH PSE & PD switch to **PD**: The VE2812PR receives power from a PoH PSE-supported device through its HDBaseT input port.
- Use a grounding wire to ground the unit by connecting one end to the grounding terminal, and the other end to a suitable grounded object.

Note: Do not omit this step. Proper grounding helps prevent damage to the unit from power surges or static electricity.

3. Connect an HDMI-enabled display to the unit's HDMI output port.
4. Follow the steps below to set up your audio output.
 - a) To use an independent speaker, connect the speaker to the unit's audio output port (coaxial or stereo) using an appropriate audio cable.
 - b) Depending on the interface of your chosen audio output device, adjust the audio channel switch if necessary.

Audio Interface	Audio Channel Switch	Description
Stereo	2 ch	Sets the audio output to channel 2.
Coaxial	5.1 ch	Sets the audio output to channel 5.1.
HDMI	Auto	Detects the supported audio channel of the connected HDMI display.

Note: The stereo audio will be muted if the channel is set to **CH 5.1**.

- c) To mute the audio on the connected HDMI display, put the HDMI audio out switch of **OFF**.
5. Connect a video transmitter's HDBaseT output port to the unit's HDBaseT input port using a Cat 6a / ATEN 2L-2910 cable.

Note: ATEN recommends pairing the VE2812PR with VE2812AT.

6. (Optional) To bypass IR signals to remotely control a device (e.g., Blu-ray player) connected to the video transmitter, connect an IR receiver to the unit's IR port and an IR emitter to the VE2812AT's IR port.

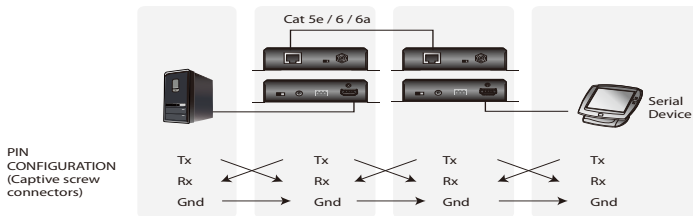
Note: To purchase an IR receiver and an IR emitter, please contact your ATEN dealer for more information.

7. (Optional) You can use the RS-232 serial port to do one of the following:
 - a) To control the VE2812AT using an ATEN controller, connect the ATEN controller to the unit's RS-232 serial port and then put the RS-232 serial communication switch to **Command**.

- b) To bypass RS-232 serial control signals to a PC or a serial device, connect the PC or serial device (e.g., touch pad) to the unit's RS-232 serial port and put the RS-232 serial communication switch to **Bypass**.
- 8. (Optional) Connect the power adapter to the unit's power jack or connect a PoH PSE-supported device to the unit's HDBaseT input port for power supply and operation.

RS-232 Channel Transmission

You can manage the VE2812R / VE2812PR via RS-232 serial devices, such as computers or bar code scanners. The RS-232 signal transmission flow can be illustrated as follows:



From a source device, the RS-232 signal is transmitted (Tx) to the VE2812R / VE2812PR receiving (Rx) unit; the a compatible ATEN Video Receiver transmits (Tx) signals to the display device (Rx).

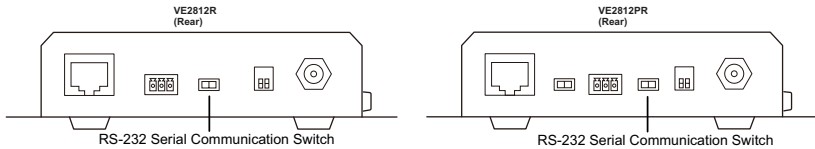
You can set the VE2812R / VE2812PR to either bypass serial data or to receive RS-232 commands. By default, the VE2812R / VE2812PR is set to bypass serial data. To set the unit to receive RS-232 commands, press the Input Switch pushbutton for 5 seconds. For details on RS-232 commands, see *RS-232 Serial Transmission*, page 17.

Chapter 3 Operation

RS-232 Serial Transmission

The RS-232 Serial Transmission allows you to choose whether to bypass serial data or to remotely control the VE2812AT / VE2812AUST / VE2812AEUT / VE3912T using commands depending on your installation.

You can simply switch RS-232 mode between **Command** / **Bypass** by clicking the RS-232 Serial Communication Switch listed below.



Note: By default, the VE2812R / VE2812PR is set to **Bypass** serial data.

Bypass

RE-232 serial data is bypassed from the controller PC or Pad to other connected devices.

Command

You can change the input mode on VE2812R / VE2812AT / VE2812AUST / VE2812AEUT / VE3912T using RS-232 commands.

Command to Control VE2812R / VE2812PR

To control VE2812R / VE2812PR please refer to the table below for a list of available tasks and the corresponding commands. For example, to mute the HDMI display sound, type **mute HDMI audio on** and then press **[Enter]**.

Task	Command
	Control
Mutes the HDMI display sound	mute HDMI audio on
Unmutes the HDMI display sound	mute HDMI audio off
Note:	
◆ In order for the above two commands to work, the HDMI Audio Out Switch must be switched to OFF .	
Mutes the stereo and coaxial sound	mute audio on
Unmutes the stereo and coaxial sound	mute audio off
Note:	
◆ Press [Enter] to execute a command.	
Reboots the unit	reboot
Views the current input mode settings	read

Command to Control VE2812AT / VE2812AUST / VE2812AEUT

You can change the input mode of VE2812AT / VE2812AUST / VE2812AEUT using RS-232 commands. Refer to the table below for a list of available tasks and the corresponding commands. For example, to enable automatic switching, type **swmode plugin auto** and then press **[Enter]**.

Task	Command		
	Control	Input	Port
Enables automatic input switching	swmode plugin auto	N/A	N/A
Disables automatic input switching	swmode plugin off	N/A	N/A
Enables automatic plug-out switching	swmode plugout prev	N/A	N/A
Disables automatic plug-out switching	swmode plugout off	N/A	N/A
Sets the unit to the HDMI mode	sw	i	01
Sets the unit to the VGA mode	sw	i	02

Note:

- ◆ Press **[Enter]** to execute a command.

Command to Control VE3912T

You can change the input mode of VE3912T using RS-232 commands. Refer to the table below for a list of available tasks and the corresponding commands. For example, to enable automatic switching, type **swmode plugin auto** and then press **[Enter]**.

Task	Command		
	Control	Input	Port
Enables automatic input switching	swmode plugin auto	N/A	N/A
Disables automatic input switching	swmode plugin off	N/A	N/A
Enables automatic plug-out switching	swmode plugout prev	N/A	N/A
Disables automatic plug-out switching	swmode plugout off	N/A	N/A
Sets the unit to the DisplayPort mode	sw	i	01

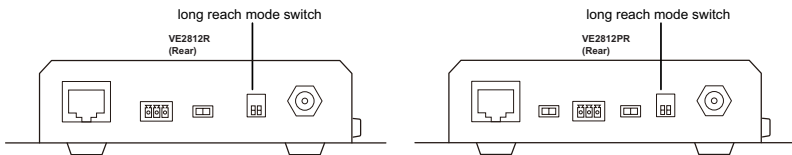
Task	Command		
	Control	Input	Port
Sets the unit to the HDMI mode	sw	i	02
Sets the unit to the VGA mode	sw	i	03

Note:

- ◆ Press **[Enter]** to execute a command.

Long Reach Mode

Long reach mode is a modulation that extends the transmission distance up to 150 m using a Cat 5e/6 cable while compromising the maximum frame rate to 1080p, 24 bpp, 60 Hz via a single Cat 5e/6 cable. To enable long reach mode, put the HDBaseT long reach mode switch to **ON** at either the transmitter or the connected receiver.



Note: When long reach mode is enabled, the VE2812R / VE2812PR will not be able to transmit 4K signals, in which case, the output display will be blank.

Safety Instructions

General

- ◆ This product is for indoor use only.
- ◆ Read all of these instructions. Save them for future reference.
- ◆ Follow all warnings and instructions marked on the device.
- ◆ Do not place the device on any unstable surface (cart, stand, table, etc.). If the device falls, serious damage will result.
- ◆ Do not use the device near water.
- ◆ Do not place the device near, or over, radiators or heat registers.
- ◆ The device cabinet is provided with slots and openings to allow for adequate ventilation. To ensure reliable operation, and to protect against overheating, these openings must never be blocked or covered.
- ◆ The device should never be placed on a soft surface (bed, sofa, rug, etc.) as this will block its ventilation openings. Likewise, the device should not be placed in a built in enclosure unless adequate ventilation has been provided.
- ◆ Never spill liquid of any kind on the device.
- ◆ Unplug the device from the wall outlet before cleaning. Do not use liquid or aerosol cleaners. Use a damp cloth for cleaning.
- ◆ The device should be operated from the type of power source indicated on the marking label. If you are not sure of the type of power available, consult your dealer or local power company.
- ◆ To prevent damage to your installation it is important that all devices are properly grounded.
- ◆ Do not allow anything to rest on the power cord or cables. Route the power cord and cables so that they cannot be stepped on or tripped over.
- ◆ Position system cables and power cables carefully; Be sure that nothing rests on any cables.
- ◆ Never push objects of any kind into or through cabinet slots. They may touch dangerous voltage points or short out parts resulting in a risk of fire or electrical shock.
- ◆ Do not attempt to service the device yourself. Refer all servicing to qualified service personnel.

- ◆ If the following conditions occur, unplug the device from the wall outlet and bring it to qualified service personnel for repair.
 - ◆ The power cord or plug has become damaged or frayed.
 - ◆ Liquid has been spilled into the device.
 - ◆ The device has been exposed to rain or water.
 - ◆ The device has been dropped, or the cabinet has been damaged.
 - ◆ The device exhibits a distinct change in performance, indicating a need for service.
 - ◆ The device does not operate normally when the operating instructions are followed.
- ◆ Only adjust those controls that are covered in the operating instructions. Improper adjustment of other controls may result in damage that will require extensive work by a qualified technician to repair.

Rack Mounting

- ◆ Before working on the rack, make sure that the stabilizers are secured to the rack, extended to the floor, and that the full weight of the rack rests on the floor. Install front and side stabilizers on a single rack or front stabilizers for joined multiple racks before working on the rack.
- ◆ Always load the rack from the bottom up, and load the heaviest item in the rack first.
- ◆ Make sure that the rack is level and stable before extending a device from the rack.
- ◆ Use caution when pressing the device rail release latches and sliding a device into or out of a rack; the slide rails can pinch your fingers.
- ◆ After a device is inserted into the rack, carefully extend the rail into a locking position, and then slide the device into the rack.
- ◆ Do not overload the AC supply branch circuit that provides power to the rack. The total rack load should not exceed 80 percent of the branch circuit rating.
- ◆ Make sure that all equipment used on the rack – including power strips and other electrical connectors – is properly grounded.
- ◆ Ensure that proper airflow is provided to devices in the rack.
- ◆ Ensure that the operating ambient temperature of the rack environment does not exceed the maximum ambient temperature specified for the equipment by the manufacturer.
- ◆ Do not step on or stand on any device when servicing other devices in a rack.

Technical Support

International

- ◆ For online technical support – including troubleshooting, documentation, and software updates: <http://support.aten.com>
- ◆ For telephone support, see *Telephone Support*, page iv:

North America

Email Support		support@aten-usa.com
Online Technical Support	Troubleshooting Documentation Software Updates	http://www.aten-usa.com/support
Telephone Support		1-888-999-ATEN ext 4988

When you contact us, please have the following information ready beforehand:

- ◆ Product model number, serial number, and date of purchase
- ◆ Your computer configuration, including operating system, revision level, expansion cards, and software
- ◆ Any error messages displayed at the time the error occurred
- ◆ The sequence of operations that led up to the error
- ◆ Any other information you feel may be of help

Specifications

VE2812R

Function	VE2812R	
Video Output		
Interfaces	1 x HDMI Type-A Female (Black)	
Impedance	HDMI: 100 Ω	
Max. Distance	3 m	
Video		
Max. Data Rate	10.2 Gbps (3.4 Gbps per lane)	
Max. Pixel Clock	340 MHz	
Compliance	HDMI (3D, Deep Color, 4K)	
	HDCP 2.2 Compatible	
	Consumer Electronics Control (CEC)	
Max. Resolutions	4K supported: 4096 x 2160 / 3840 x 2160 @ 60 Hz (4:2:0); 4096 x 2160 / 3840 x 2160 @ 30 Hz (4:4:4)	
Max. Resolutions / Distances	<ul style="list-style-type: none"> ◆ Up to 4k @70m (Cat 5e/6) / 100m (Cat 6a/ATEN 2L-2910 Cat6) ◆ Up to 1080p @100m (Cat 5e/6/6a) 	
Audio		
Output	1 x HDMI Type-A Female (Black) 1 x Mini Stereo Jack Female (Green) 1 x SPDIF Coaxial Female (Orange)	
Connectors		
Unit To Unit	1 x RJ-45 Female	
Power	1 x DC Jack (Black) with locking	
Control		
RS-232	Connectors	1 x Terminal Block, 3 Pole, Type: DTE
	Baud Rate	115200 bps
	Data Bits	8
	Stop Bits	1, no parity and flow control
IR	1 x Mini Stereo Jack Female (Black)	

Function	VE2812R
Power Consumption	DC5V:4.98W:43BTU
Switches	
HDMI Mute	1 x Slide Switch - HDMI Audio ON/OFF
Audio EDID Selection	1 x Slide Switch - Audio Output Format Selection: 2ch / 5.1ch/ AUTO
Mode Selection	1 x Slide Switch - RS-232 Bypass or Command Mode Selection
Long Reach Mode Switch	1 Slide Switch - Long Reach Mode ON/OFF
Firmware Upgrade	1 Slide Switch - Firmware Upgrade Mode ON/OFF
Environmental	
Operating Temperature	0 - 40°C
Storage Temperature	-20 - 60°C
Humidity	0 x 80% RH, Non-Condensing
Physical Properties	
Housing	Metal
Weight	0.46 Kg (1.01 lb)
Dimensions (L x W x H) with Bracket	14.53 x 12.30 x 3.00 cm (5.72 x 4.84 x 1.18 in)
Dimensions (L x W x H) without Bracket	13.60 x 10.10 x 2.90 cm (5.35 x 3.98 x 1.14 in)

VE2812PR

Function	VE2812PR	
Video Output		
Interfaces	1 x HDMI Type-A Female (Black)	
Impedance	HDMI: 100 Ω	
Max. Distance	3 m	
Video		
Max. Data Rate	10.2 Gbps (3.4 Gbps per lane)	
Max. Pixel Clock	340 MHz	
Compliance	HDMI (3D, Deep Color, 4K)	
	HDCP 2.2 Compatible	
	Consumer Electronics Control (CEC)	
Max. Resolutions	4K supported: 4096 x 2160 / 3840 x 2160 @ 60 Hz (4:2:0); 4096 x 2160 / 3840 x 2160 @ 30 Hz (4:4:4)	
Max. Resolutions / Distances	<ul style="list-style-type: none"> ◆ Up to 4k @70m (Cat 5e/6) / 100m (Cat 6a/ATEN 2L-2910 Cat6) ◆ Up to 1080p @100m (Cat 5e/6/6a) 	
Audio		
Output	1 x HDMI Type-A Female (Black) 1 x Mini Stereo Jack Female (Green) 1 x SPDIF Coaxial Female (Orange)	
Connectors		
Unit To Unit	1 x RJ-45 Female	
Power	1 x DC Jack (Black) with locking 1 x RJ-45 Female, PoH PD & PSE supported	
Control		
RS-232	Connectors	1 x Terminal Block, 3 Pole, Type: DTE
	Baud Rate	115200 bps
	Data Bits	8
	Stop Bits	1, no parity and flow control
IR	1 x Mini Stereo Jack Female (Black)	
Power Consumption	DC5V:5.83W:27BTU PoH:7.28W:34BTU	

Function	VE2812PR
Switches	
Power Selected	1 x Slide Switch - PoH Power Selection: PSE / PD
HDMI Mute	1 x Slide Switch - HDMI Audio ON/OFF
Audio EDID Selection	1 x Slide Switch - Audio Output Format Selection: 2ch / 5.1ch/ AUTO
Mode Selection	1 x Slide Switch - RS-232 Bypass or Command Mode Selection
Long Reach Mode Switch	1 Slide Switch - Long Reach Mode ON/OFF
Firmware Upgrade	1 Slide Switch - Firmware Upgrade Mode ON/OFF
Environmental	
Operating Temperature	0 - 40°C
Storage Temperature	-20 - 60°C
Humidity	0 x 80% RH, Non-Condensing
Physical Properties	
Housing	Metal
Weight	0.50 Kg (1.1 lb)
Dimensions (L x W x H) with Bracket	14.53 x 12.30 x 3.00 cm (5.72 x 4.84 x 1.18 in)
Dimensions (L x W x H) without Bracket	13.60 x 10.10 x 2.90 cm (5.35 x 3.98 x 1.14 in)

Limited Warranty

ATEN warrants its hardware in the country of purchase against flaws in materials and workmanship for a Warranty Period of two [2] years (warranty period may vary in certain regions/countries) commencing on the date of original purchase. This warranty period includes the [LCD panel of ATEN LCD KVM switches](#). Select products are warranted for an additional year (see [A+ Warranty](#) for further details). Cables and accessories are not covered by the Standard Warranty.

What is covered by the Limited Hardware Warranty

ATEN will provide a repair service, without charge, during the Warranty Period. If a product is defective, ATEN will, at its discretion, have the option to (1) repair said product with new or repaired components, or (2) replace the entire product with an identical product or with a similar product which fulfills the same function as the defective product. Replaced products assume the warranty of the original product for the remaining period or a period of 90 days, whichever is longer. When the products or components are replaced, the replacing articles shall become customer property and the replaced articles shall become the property of ATEN.

To learn more about our warranty policies, please visit our website:
<http://www.aten.com/global/en/legal/policies/warranty-policy/>

© Copyright 2022 ATEN® International Co., Ltd.
Released: 2022-08-02

ATEN and the ATEN logo are registered trademarks of ATEN International Co., Ltd. All rights reserved. All other brand names and trademarks are the registered property of their respective owners.